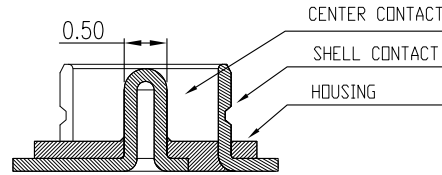
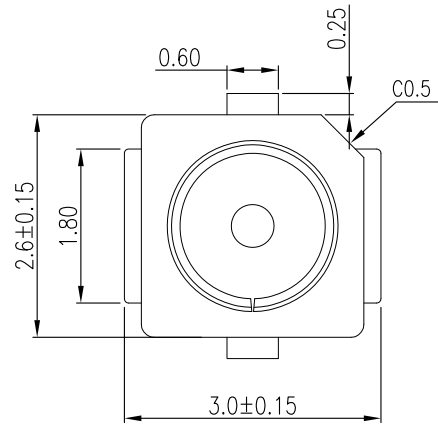


REV	ECR#	DESCRIPTION	DRAWN/DATE	CHECKED/DATE	APPROVED/DATE
A0	~	ADD NEW SPECIFICATIONS			
A1		ADD COLOR OF HOUSING			

A  
B  
C  
D  
E  
F

A  
B  
C  
D  
E  
F



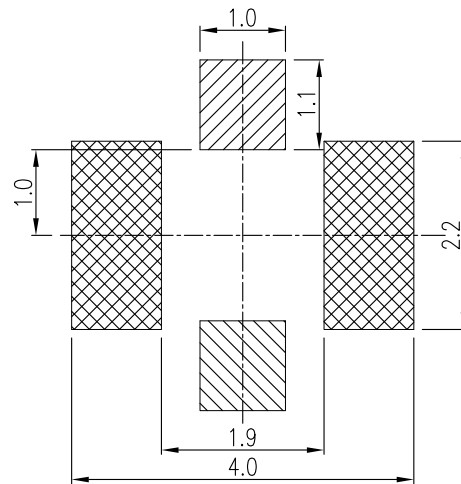
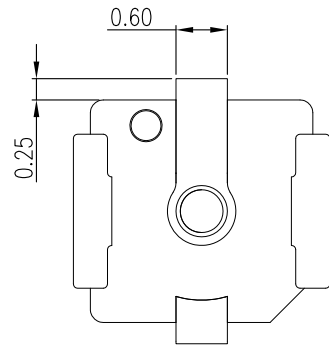
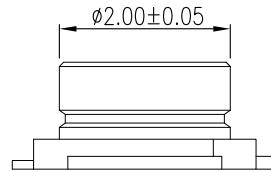
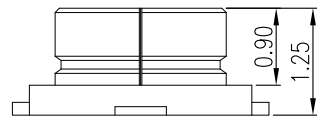
NOTES :

1.0. RATING :

- 1.1. VOITAGE :60 VAC (R.M.S.)
- 1.2. NOMINAL CHARACTERISTIC IMPEDANCE: 50 Ohm
- 1.3. APPLICABLE FREQUENCY: DC ~ 6GHz
- 1.4. VSWR: 1.3 MAX. (DC~3GHz), 1.5 MAX. (3~6GHz)
- 1.5. TEMPERATURE : -40°C TO +85°C
- 1.6. APPLIED TO IR SOLDERING PROCESS

2.0. MATERIAL SEE BILL OF MATERIAL :

- 2.1.HOUSING: THERMOPLASTIC,UL94V-0,
- 2.2.CENTER CONTACT : COPPER ALLOY.
- 2.3.SHELL CONTACT: COPPER ALLOY.



RECOMMENDED PCB LAYOUT  
(TOLERANCE:±0.05)

CENTER CONTACT  
 GROUND CONTACT

CONTROL POINT FAI : to CRITICAL (Cpk & Cp) : EX) = Places MAJOR (QC CHECKED) : ▼ = Places TOOL DESIGN DIMENSION : [ T DIM ] = Places EVALUATE REPORTES NUMBER :	TOLERANCES UNLESS OTHERWISE SPECIFIED GENERAL : X ±0.30 XX ±0.25 XXX ±0.15 ANGLES : X ±3.0° XX ±2.0° XXX ±1.0°	DRAWING DATE	兆星精密电子(深圳)有限公司
	SCALE 1:1	DESIGN DATE	
	SHEET 1/1	CHECK DATE	TITLE
	UNIT mm	APPROVED DATE	I PEX 内针 二代板端 I PEX2座子
		3D FILE	SERIES ZX-RF-2-Z21.25X
			SIZE A3
			DRAWING NO
			REV A1

1 2 3 4 5 6 7 8