

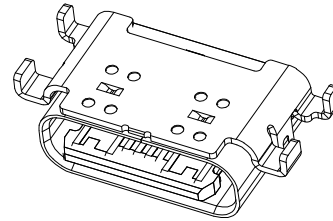
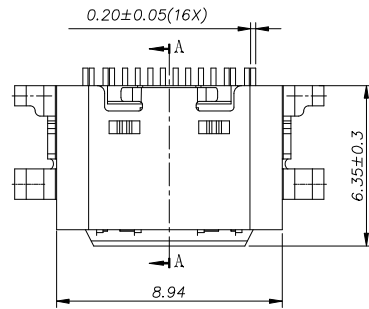
RoHS

MAPX

MODIFICATION

DRW

DATE



NOTE:

1.MATERIAL SPECIFICATION:

- 1.HOUSING: LCP_BLACK,UL94 V-0.
- 2.CONTACTS: COPPER ALLOY
- 3.MID PLATE: STAINLESS STEEL(SUS301)
- 4.FRONT SHELL: STAINLESS STEEL(SUS304)
- 5.COVER: STAINLESS STEEL(SUS304)

2.PLATING SPECIFICATION:

- 2-1.CONTACTS:
Ni 50u" MIN. UNDER PLATED OVER ALL.
Au PLATED ON THE FUNCTIONAL AREA OF CONTACT.
(GOLD PLATING THICKNESS FOLLOW THE P/N)
PLATING SPECIFICATIONS OF THE SOLDER AREA FOLLOW THE P/N

2-2.FRONT SHELL & COVER:

- Ni 30u" MIN. UNDER PLATED OVER ALL.

2-3.MID PLATE:

- CLEAR ONLY

3.MECHANICAL PERFORMANCE,

- 3-1.INSERTION FORCE: 0.5~2.0kgf.
- 3-2.REMOVAL FORCE: 0.8kgf~2.0kgf.
- 3-3.DURABILITY: 10000 CYCLES.

4.ELECTRICAL PERFORMANCE,

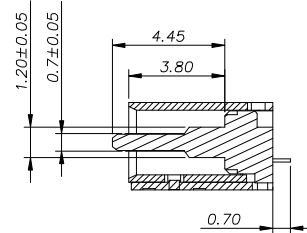
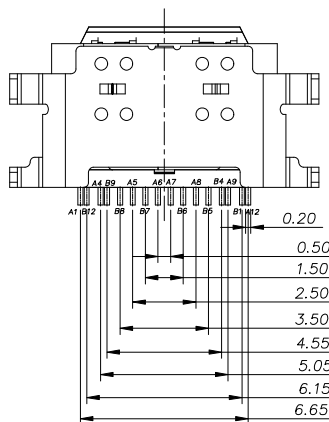
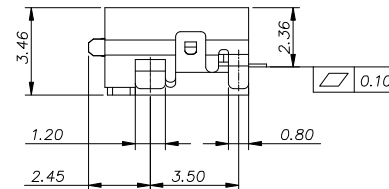
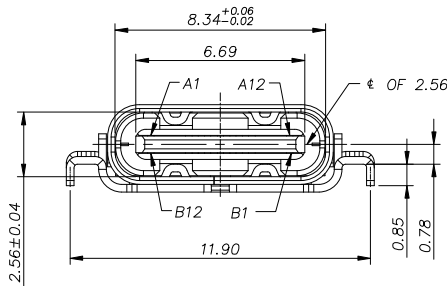
- 4-1. CURRENT RATING: 3.0A
VOLTAGE RATING: 5.0V
- 4-2. LLCR:
VBUS & GND PINS AND OTHER PINS: 40mΩ/PIN MAX.
SHIELD: 50mΩ/MAX.
LLCR MAX. CHANGE OF ALL PINS: 10mΩ
- 4-3.INSULATION RESISTANCE: 100MΩ MIN
- 4-4.DIELECTRIC WITHSTAND VOLTAGE,AC 100V FOR 1 MINUTE.

5. ENVIRONMENTAL PERFORMANCE:

- OPERATING TEMPERATURE: -25°C~+85°C.

6.IR REFLOW:

- THE PEAK TEMPERATURE ON THE BOARD SHALL BE MAINTAINED FOR 10 SECONDS AT 260°C.



SECTION: A-A

<p>产品图 PRODUCT CHART DWG</p>				<p>深圳市精拓金电子有限公司 Shenzhen Jing Tuo Jin Electronics Co., Ltd.</p>							
<p>公差一览表 TOLERANCE UNLESS OTHERWISE</p>				单位 UNITS	MM	制图 DRAWING	L S S	制图料号 PRODUCT PART NO.	918-418K2024S40011		
X.	±0.25	X.	±5.*	比例 SCALE	1:1	审核 CHKD	郭治富	产品名称 PRODUCT NO.	TYPE-C3.1 16PF SMT沉板		
.X	±0.20	.X	±2.*	日期 DATE	2020-05-22	核准 APPD	黄国荣	角法 VIEW	0.8母座不锈钢单排短体L6.35	版本 VER	AO
.XX	±0.15	.XX	±1.*								
.XXX	±0.05	.XXX	±0.5.*								

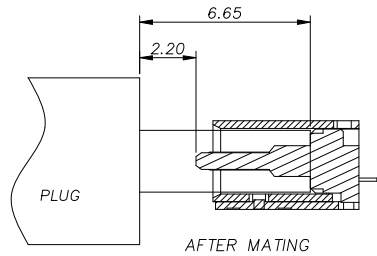
RoHS

MAPX

MODIFICATION

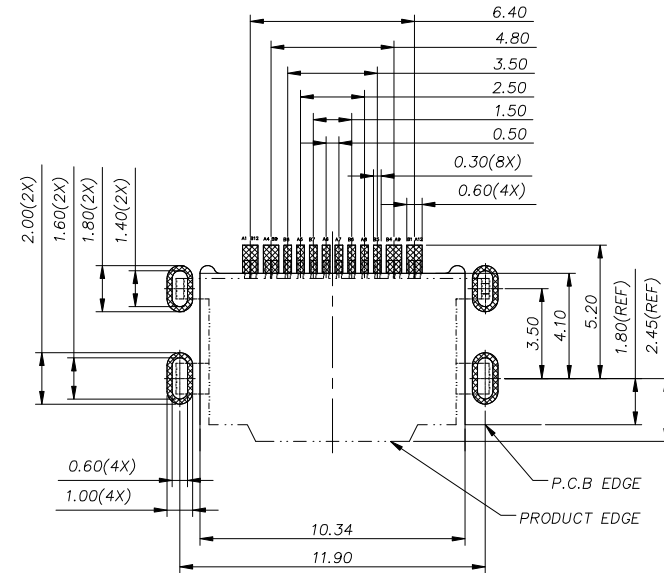
DRW

DATE



USB TYPE-C PIN ASSIGNMENTS

PIN NUMBER	SIGNAL NAME	PIN NUMBER	SIGNAL NAME
A1	GND	B12	GND
A4	VBUS	B9	VBUS
A5	CC1	B8	SBU2
A6	Dp1	B7	Dn2
A7	Dn1	B6	Dp2
A8	SBU1	B5	CC2
A9	VBUS	B4	VBUS
A12	GND	B1	GND

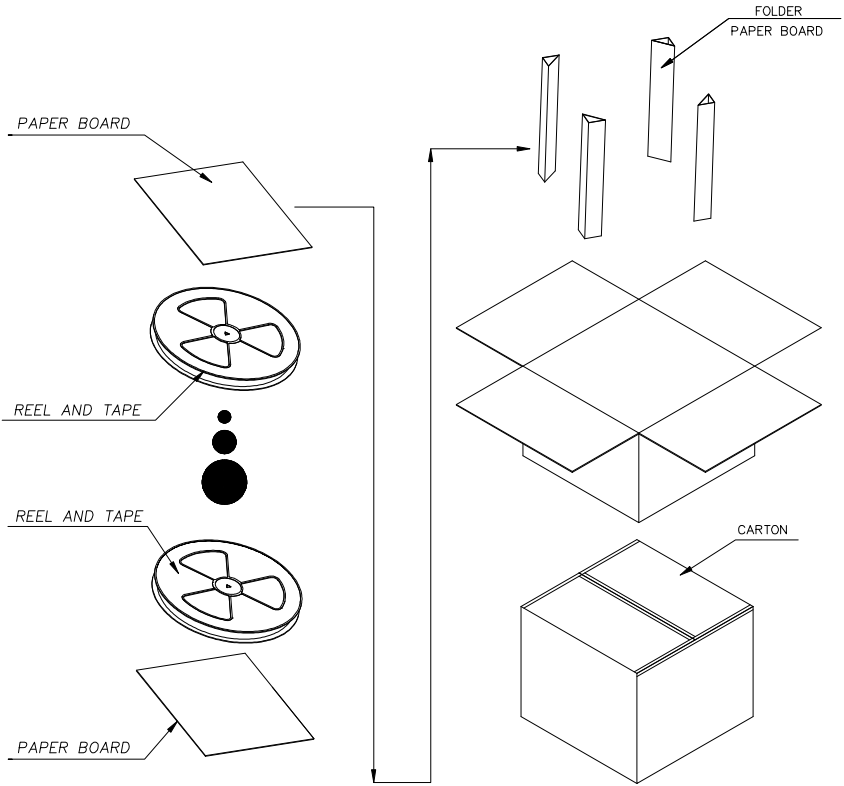
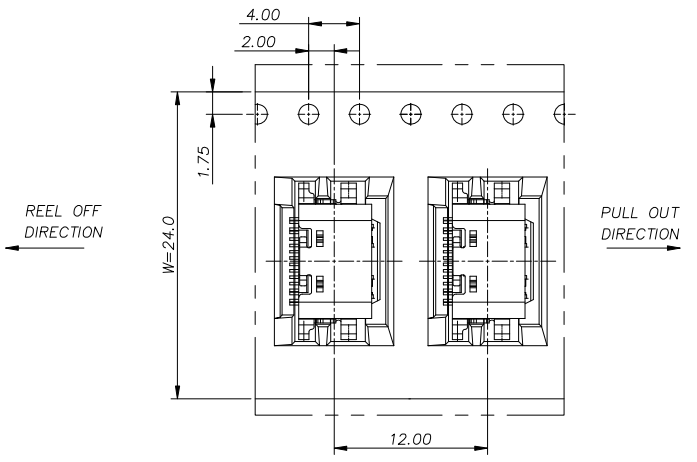
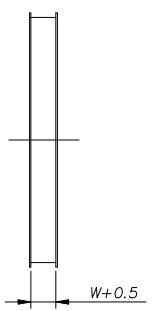
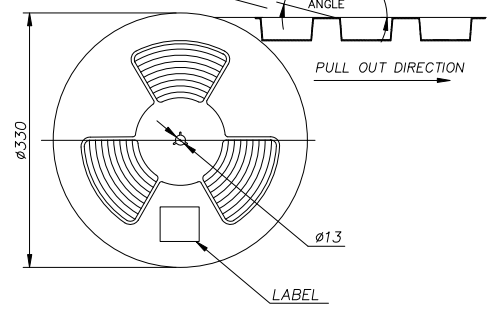
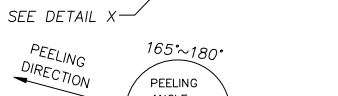
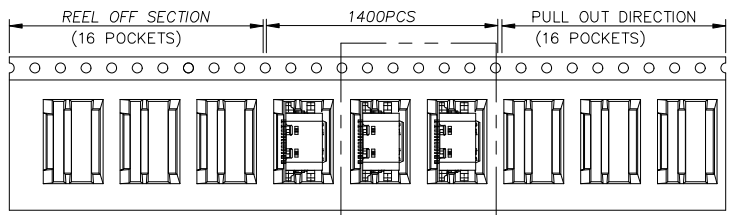


RECOMMENDED PCB LAYOUT(TOP VIEW)
THICKNESS 0.80MM;DEFAULT TOLERANCE: ±0.05

<p>产品图 PRODUCT CHART DWG</p>				<p>深圳市精拓金电子有限公司 Shenzhen Jing Tuo Jin Electronics Co., Ltd.</p>							
<p>公差一览表 TOLERANCE UNLESS OTHERWISE</p>				单位	MM	制图	L S S	制图料号			
X.	±0.25	X.	±5.°	UNITS		DRAWING		PRODUCT PART NO.			
.X	±0.20	.X	±2.°	比例	1:1	审核	郭治富	产品名称	type-c16PIN沉板0.8L=6.35		
.XX	±0.15	.XX	±1.°	日期	2020-05-22	核准	黄国荣	产品 No.			
.XXX	±0.05	.XXX	±0.5°	日期		APPD		角法	⊕	版本	A0
				DATE				VIEW		VER	

RoHS

MAPX	MODIFICATION	DRW	DATE



	REEL	CARTON
CONNECTOR (PCS)	1400	9800

<p>产品图 PRODUCT CHART DWG</p> <p>公差一览表 TOLERANCE UNLESS OTHERWISE</p>				<p>深圳市精拓金电子有限公司 Shenzhen Jing Tuo Jin Electronics Co., Ltd.</p>						
X.	±0.25	X.	±5.°	单位 UNITS	MM	制图 DRAWING	L S S	制图料号 PRODUCT PART NO.		
.X	±0.20	.X	±2.°	比例 SCALE	1:1	审核 CHKD	郭治富	产品名称 PRODUCT NO.	type-c16PIN沉板0.8L=6.35	
.XX	±0.15	.XX	±1.°	日期 DATE	2020-05-22	核准 APPD	黄国荣	角法 VIEW		版本 VER
.XXX	±0.05	.XXX	±0.5°							A0