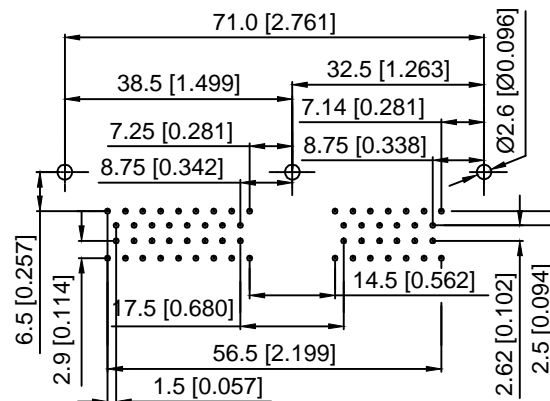
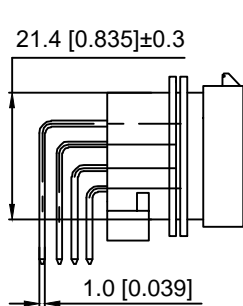
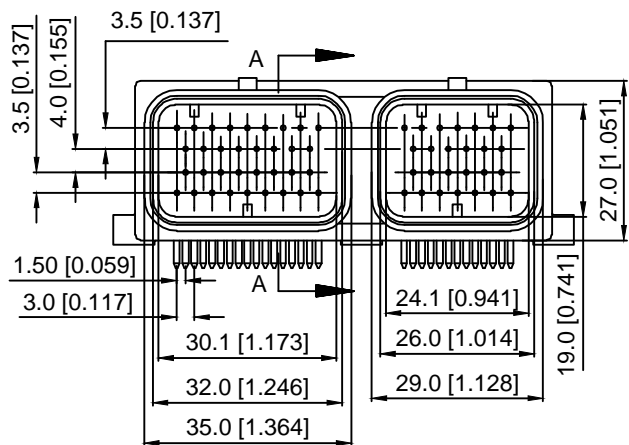
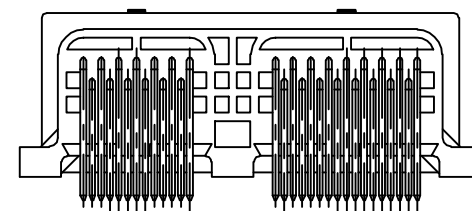
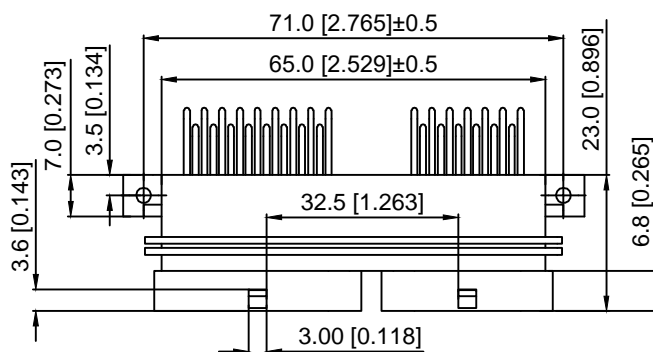
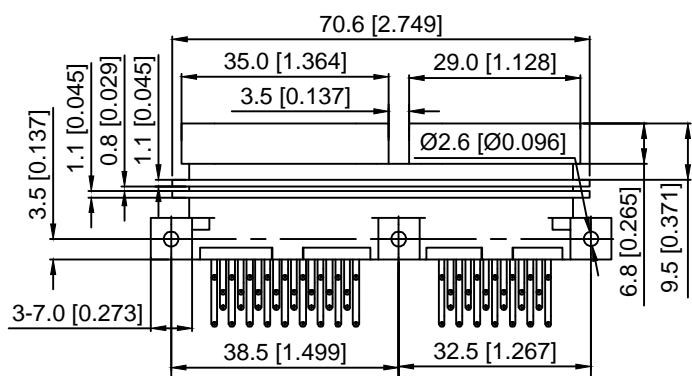


Current rating: 10A AC/DC
 额定电流: 10A AC/DC
 Temperature range: -40°C +125°C
 温度范围: -40°C +125°C



K 643728 W R - XX - PT SN
 ① ② ③ ④ ⑤ ⑥ ⑦

- 1.K: XKBTEK-Car Connector
- 2.XKB Series No
- 3.Category:W-Wafer
- 4.Welding Board Range:R-Stright 90°
- 5.Row No.Pin No:XX-60 Pin
- 6.Material:PT-PBT
- 7.Palting:SN-Plated Tin



K643728WR-XX-PTS	PBT	Brass	K643728H
PART NO	Material	Material(Pin)	Suitable XKB Housing

DSND	SCALE: N/A	MODEL TYPE:
DWN	VIEW:	3.0mm Automobile connector
CHKD	UNIT: mm/in	PART NO.:
APPD	SIZE: A4	K643728WR-XX-PTS
		DWG NO.:
		X-K643728WR-XX-PTS
		WEIGHT
		SHEET
		REVISION
		1/1
		A0



XKB INDUSTRIAL PRECISION CO.,LIMITED

					ANGLAR	±5°
ΔX					L ≤ 4	±0.2
ΔX					4 < L ≤ 16	±0.3
ΔX					16 < L ≤ 63	±0.4
MARK	DESCRIPTION	DATE	REVISED	APPROVED	L > 63	±0.5
REVISIONS					UNSPECIFIED TOLERANCES	