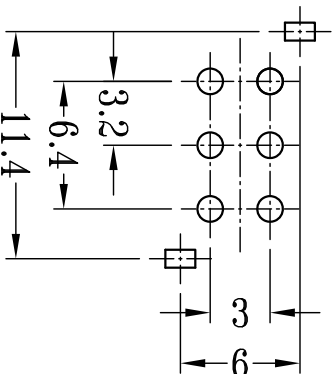
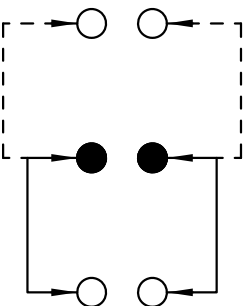


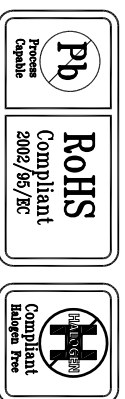
3.5 TOTAL TRAVEL
2.5±0.3 LOCK TRAVEL
*b



P.C.B LAYOUT
BOTTOM VIEW



SCHEMATIC (NON-SHORTING)



PS-22F43XX

PUSH SWITCH
G-Switch P/N
N=NO LOCK
L=LOCK

A=黑色
B=红色
C=蓝色
H=黄色
D=其它

G-Switch Specification:
Operating temperature range: -30°C to +85°C
Rating: 50mA, 12V DC
Insulation resistance: 100MΩ min, 100V DC
Dielectric strength: 250V AC for 1 min
Contact resistance: 30mΩ max.
Switch Life: 10000 cycles min

		G-Switch Electronic Technology CO., Ltd.	
DESIGN	陈锋枫	DATE	2016.05.29
CHECKED		DATE	
APPROVED		DATE	
http://www.dg-switch.com		REV:	X1
TEL: 0769-82388879		SCALE:	4:1
		UNIT:	mm
		SIZE:	A4
		SHEET:	1/1

Unless otherwise specified, Tolerance:
X ±0.30
X X ±0.20
X X X ±0.15
X X X X ±0.10
Angles ±3