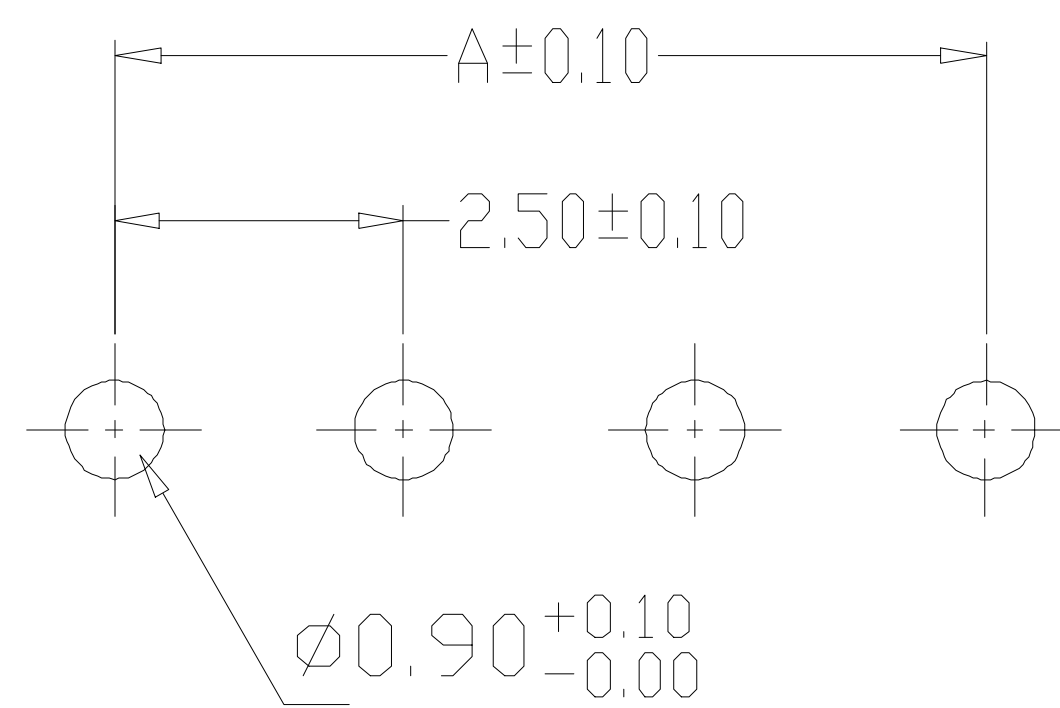


2~4A



PCB LAYOUT

SPECIFICATIONS

- 1、Current Rating: 3A AC, DC
- 2、Voltage Rating: 250V AC, DC
- 3、Temperatuer Range: -25°C~+85°C
- 4、Contact Resistance: 20mΩ Max
- 5、Insulation Resistance: 1000MΩ Min
- 6、Withstanding Voltang: 1000V AC/minute
- 7、Material: Wafer Nylon66, UL94V-0  
PIN Brass Tin-plated

| 编 号        | 尺寸 (mm) |       |
|------------|---------|-------|
|            | A       | B     |
| A2504-02AW | 2.50    | 7.50  |
| A2504-03AW | 5.00    | 10.00 |
| A2504-04AW | 7.50    | 12.50 |
| A2504-05AW | 10.00   | 15.00 |
| A2504-06AW | 12.50   | 17.50 |
| A2504-07AW | 15.00   | 20.00 |
| A2504-08AW | 17.50   | 22.50 |
| A2504-09AW | 20.00   | 25.00 |
| A2504-10AW | 22.50   | 27.50 |
| A2504-11AW | 25.00   | 30.00 |
| A2504-12AW | 27.50   | 32.50 |
| A2504-20AW | 47.50   | 52.50 |

| 制图<br>DRAWN | 变更内容<br>DESCRIPTION | 日期<br>DATE | GENERAL TOLERANCE |            | 制图<br>DRAWING | 料号<br>PART NO. | ZX-HA2.54-9PWZ | 版本<br>REV. | A |
|-------------|---------------------|------------|-------------------|------------|---------------|----------------|----------------|------------|---|
|             |                     |            | X±0.25            | X°±2°      |               |                |                |            |   |
| .X±0.20     | .X°±1°              |            |                   |            |               |                |                |            |   |
|             |                     |            | .XX±0.15          | .XX°±0.5°  |               |                |                |            |   |
|             |                     |            | .XXX±0.10         | .XXX°±0.5° |               |                |                |            |   |