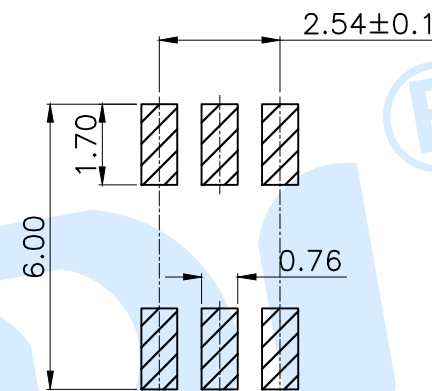
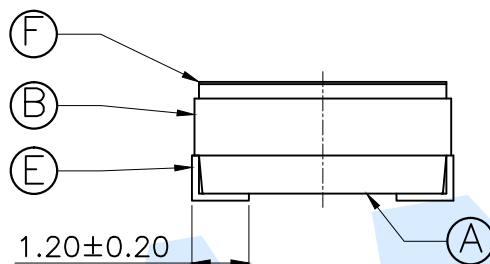
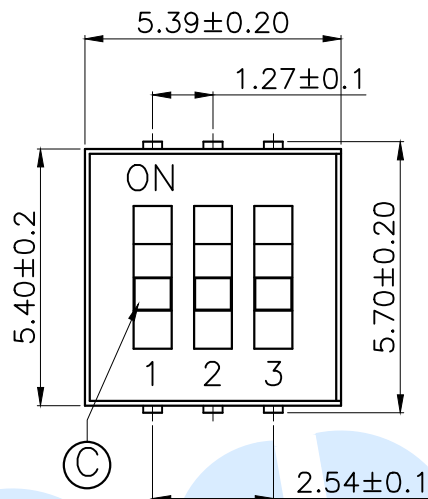
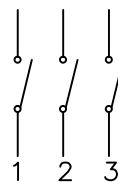
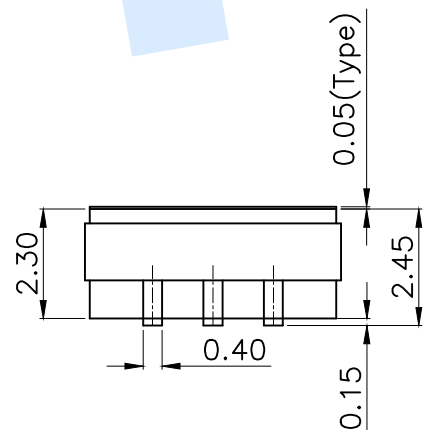


RoHS



PCB Layout (Pattern Side)

- NOTE:
1. Non-Switch Rating: 100mA at 50V DC
  2. Switching Rating: 25mA at 24V DC
  3. Insulation Resistance:  $\geq 100\Omega$
  4. Withstand voltage: AC 500V 1 Minute
  5. Operating Force Range: 1000gf Max
  6. Mechanical Life: 3,000 Cycles



Circuit Diagram

ⓕ	Dust film		1	Polyimide tape	
ⓔ	Terminal		6	Phosphor bronze	Gold plating
ⓓ	Contact spring		3	Phosphor bronze	Gold plating
Ⓒ	Handle		3	PA9T	White
Ⓑ	Cover		1	PPS	Black
Ⓐ	Base		1	PPS	Black
NO.	Name	Number	Qty	Material	Remarks

**YUANDI**® Yuandi Electronics Co, Ltd

design	date	name	DIP SWITCH
Review	date	model	TU-03
Approved	date		

Drawing number: Proportion 1:1 unit mm gage number A4

modify Review Approved Tolerance not specified

angle	±2'
10~30	±0.30
5~10	±0.20
~ 5	±0.10