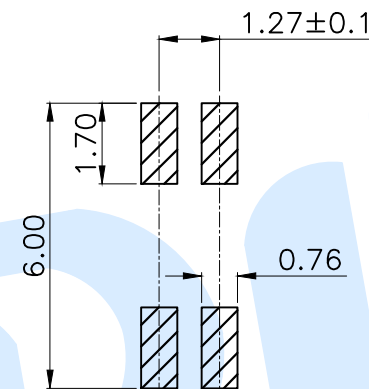
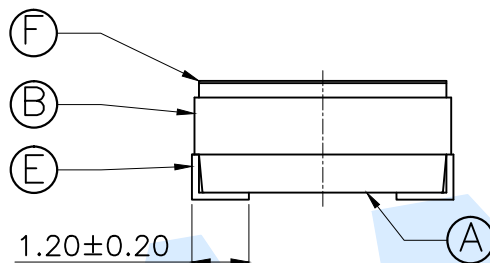
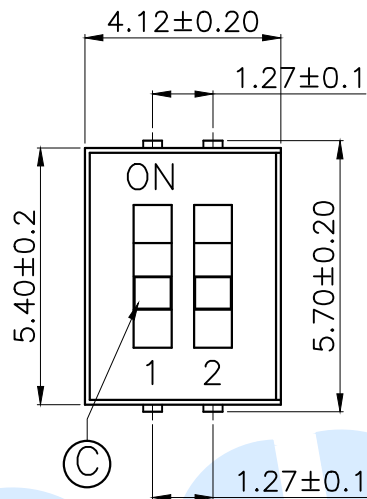
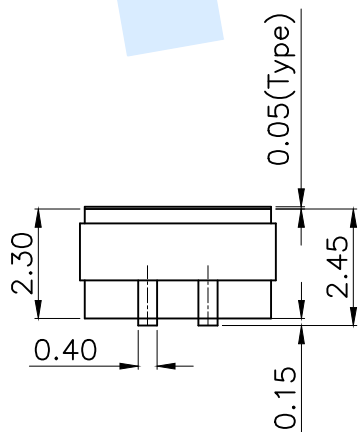


RoHS



PCB Layout(Pattern Side)

- NOTE:
- 1.Non-Switch Rating:100mA at 50V DC
 - 2.Switching Rating:25mA at 24V DC
 - 3.Insulation Resistance: ≥100MΩ
 - 4.Withstand voltage:AC 500V 1Minute
 - 5.Operating Force Range:1000gf Max
 - 6.Mechanical Life:3,000 Cycles



Circuit Diagram

Ⓣ	Dust film		1	Polyimide tape	
ⓔ	Terminal		4	Phosphor bronze	Gold plating
ⓓ	Contact spring		2	Phosphor bronze	Gold plating
ⓐ	Handle		2	PA9T	White
ⓑ	Cover		1	PPS	Black
Ⓐ	Base		1	PPS	Black
NO.	Name	Number	Qty	Materil	Remarks

YUANDI® Yuandi Electronics Co.,Ltd

design	date	name	DIP SWITCH
Review	date	model	TU-02
Approved	date		

Drawing number: Proportion 1:1 unit mm gage number A4

modify Review Approved Tolerance not specified