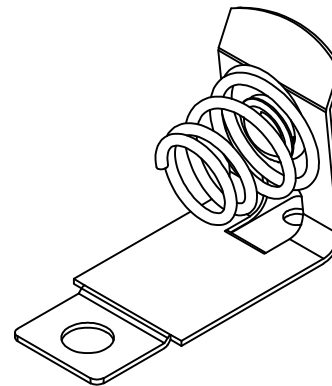
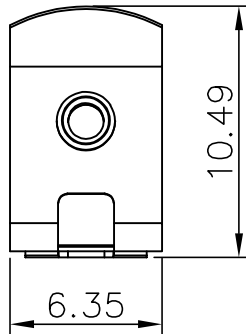
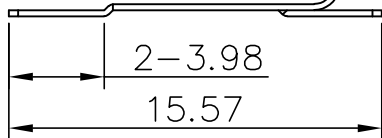
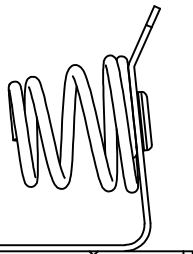
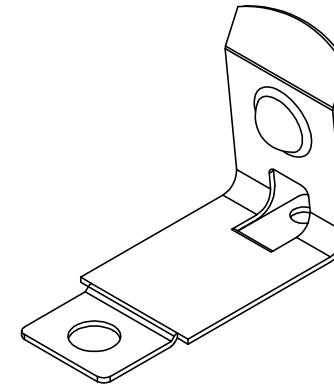




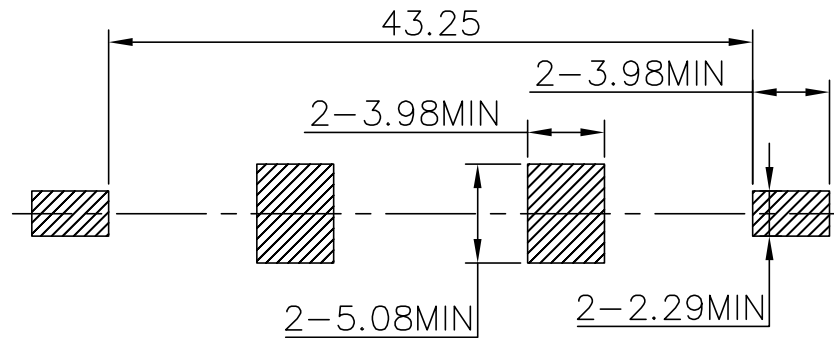
REV.	ECN NO.	REVISED	DATE



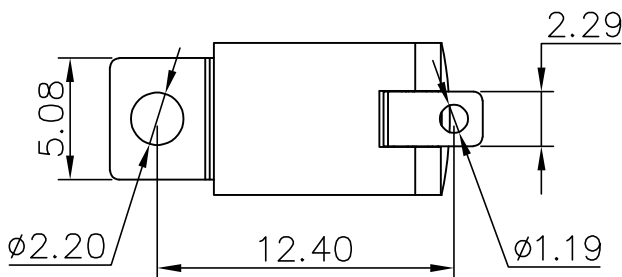
MY-AAA-22-J



MY-AAA-07



PCB Layout Diagram
Top View



工程部
2023-03-13
H. WANG

1	TERMINAL	1	SPRING STEEL, T=0.25mm	Ni-Plating
NO.	PART NAME	Q'TY	MATERIAL	PLATING & COLOR

UNLESS OTHERWISE SPECIFIED TOLERANCES		MYOUNG 美用 www.meiyangdz.com	
DECIMALS: X :±0.30 X.X :±0.25 X.XX :±0.20 X.XXX :±0.10	ANGLES: X :±1° X.X :±0.5°	DSND YangFeng	DATE 2023-03-13
WEIGHT: g		CHKD ZhouRuicai	DATE 2023-03-13
SHEET 1 OF 1		APVD XueShunyong	DATE 2023-03-13
TITLE:		SCALE: 4:1	SIZE: A4
DRAW NO.:WD-CP-0283		VIEW:	REV.: A/0
PART NO.:		UNIT: mm	OBJECT: MY
MY-AAA-22-J			