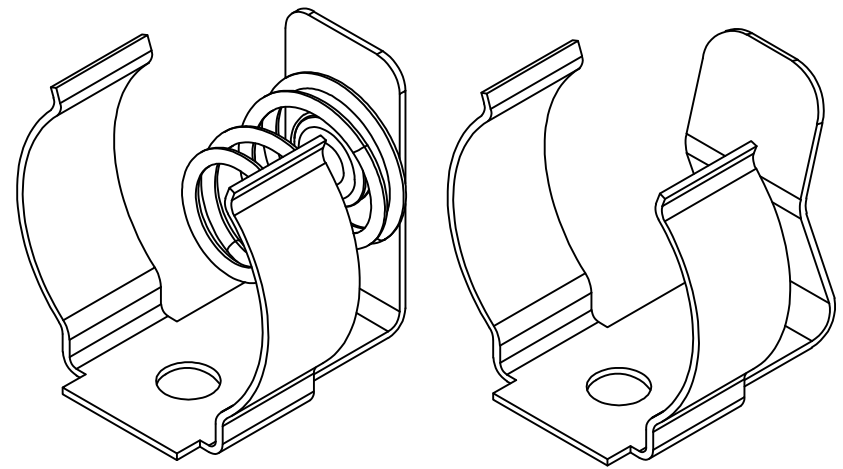
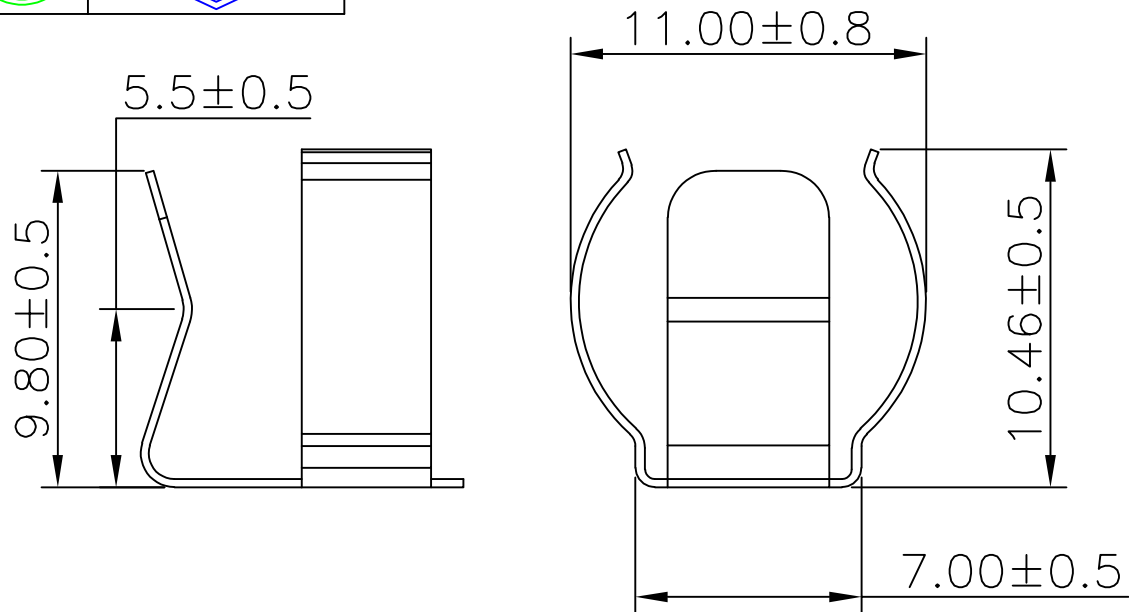


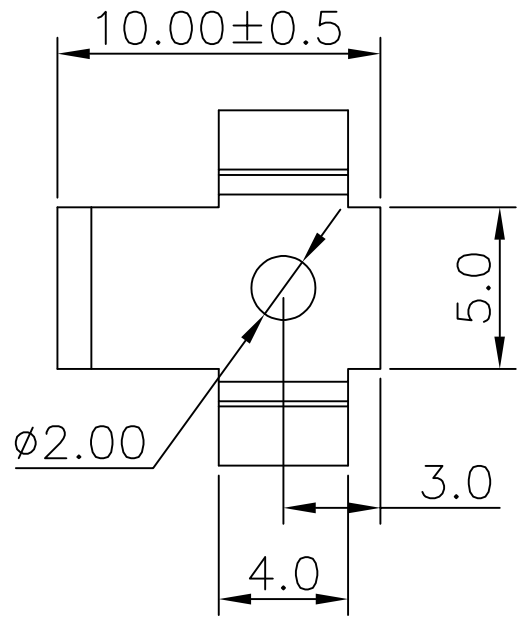


REV.	ECN NO.	REVISED	DATE

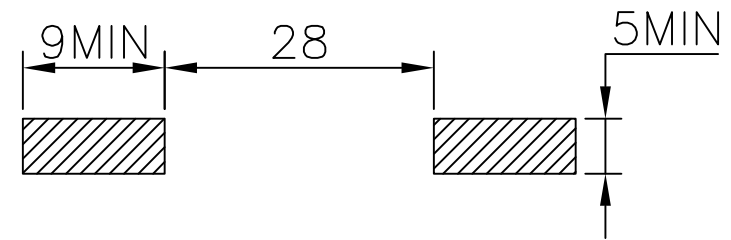


MY-AAA-19-J

MY-AAA-20-J



工程部
2023-03-09
H. WANG



MY-AAA-19-J(-)&MY-AAA-20-J(+)
PCB Layout Diagram
Top View

1	TERMINAL	1	SPRING STEEL , T=0.25mm	Ni-Plating
NO.	PART NAME	Q'TY	MATERIAL	PLATING & COLOR

UNLESS OTHERWISE SPECIFIED TOLERANCES		MYOUNG 美用 www.meiyangdz.com	
DECIMALS: X :±0.30 X.X :±0.25 X.XX :±0.20 X.XXX :±0.10	ANGLES: X :±1° X.X :±0.5°	DSND YangFeng	DATE 2023-03-09
WEIGHT:		CHKD ZhouRuicai	DATE 2023-03-09
SHEET 1 OF 1		APVD XueShunyong	DATE 2023-03-09
SCALE:	SIZE: A4	VIEW:	TITLE: 3A电池夹 无凸点 Ni SMT
UNIT: mm	REV.: A/0	OBJECT: MY	PART NO.: MY-AAA-20-J
			DRAW NO.:WD-CP-0277