



REV.	ECN NO.	REVISED	DATE

NOTE:

1.MATERIAL:

- a.HOUSING:PBT
- b.CONTACT: Steel,Brass
(SURFACE PLATING: Au1u")

SEE ORDERING INFORMATION

2.ELECTRIC:

- a.CONTACT RESISTANCE: 30 MILLIOHMS MAX
- b.INSULATION RESISTANCE: 1000 MEGA OHMS MIN
- c.DIELECTNIC VOLTAGE: 500V AC ONE SEC LEVEL
- d.OPERATING TEMPERATURE: -25°C~ +85°C

ORDERING INFORMATION

BS-16-A*001**

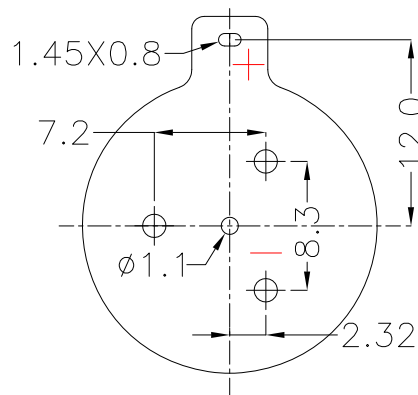
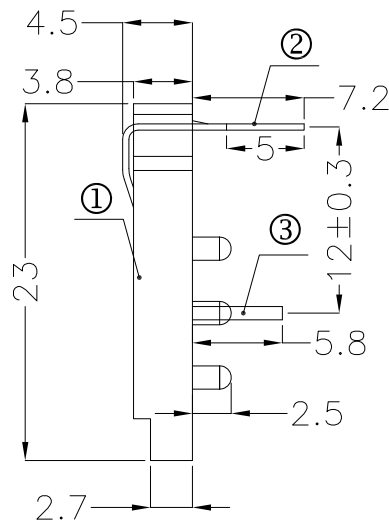
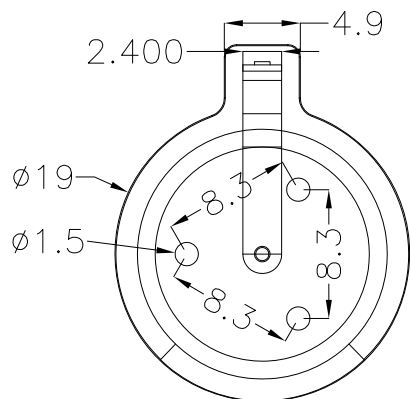
电池座系列

BS-16系列

DIP 90° TYPE

PLATING:
A-Au1U"
J-Ni100U"~120U"
K-Sn100U"~120U"
M-Si1U"~Ni10U"

MATERIAL:
1A-PBT BLACK
1B-PA66 BLACK
2A-PPA BROWN
2B-PPA BLACK
3A-PPS BROWN
3B-PPS BLACK
4A-LCP WHITE
4B-LCP BLACK



PCB Layout Diagram
Top View

3	TERMINAL(-)	1	Brass, T=0.85mm	Au-Plating
2	TERMINAL(+)	1	Steel, T=0.40mm	Au-Plating
1	HOUSING	1	PBT	BLACK
NO.	PART NAME	Q'TY	MATERIAL	PLATING & COLOR

UNLESS OTHERWISE SPECIFIED TOLERANCES		MYOUNG 美阳 www.meiyangdz.com	
DECIMALS: X :±0.30 X.X :±0.25 X.XX :±0.20 X.XXX :±0.10	ANGLES: X :±1° X.X :±0.5°	DSND YangFeng	DATE 2020-09-08
WEIGHT: 1.25g		CHKD ZhouRuicai	DATE 2020-09-08
SHEET 1 OF 1		APVD XueShunyong	DATE 2020-09-08
UNIT: mm	REV.: A/0	SCALE: 2:1	SIZE: A4
OBJECT: MY	DRAW NO.:WD-CP-0091	VIEW:	TITLE: BS-1620-1 Au DIP
PART NO.: BS-16-A1AA001			