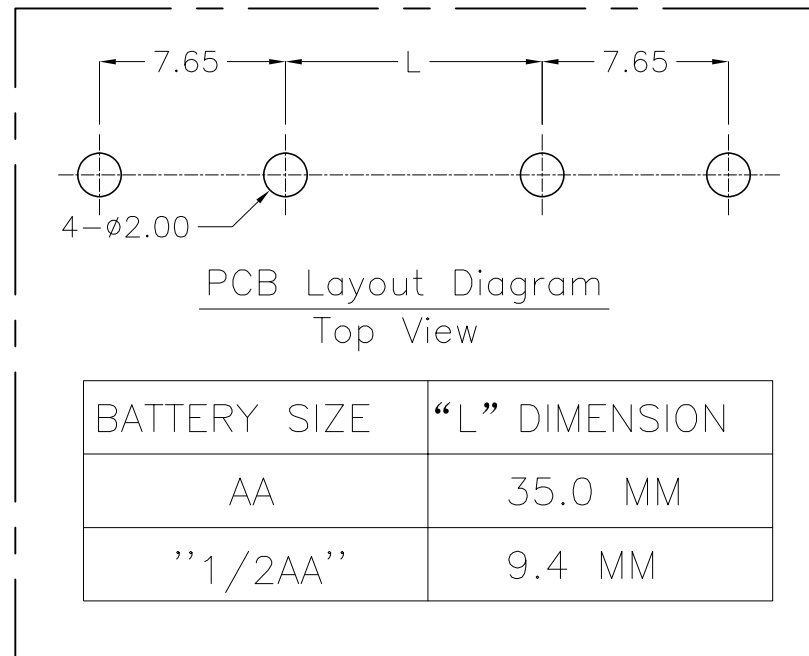
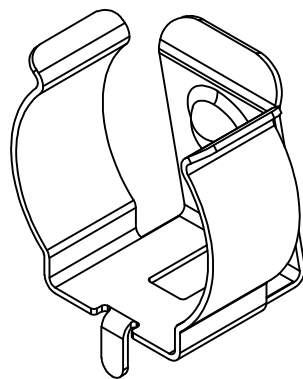
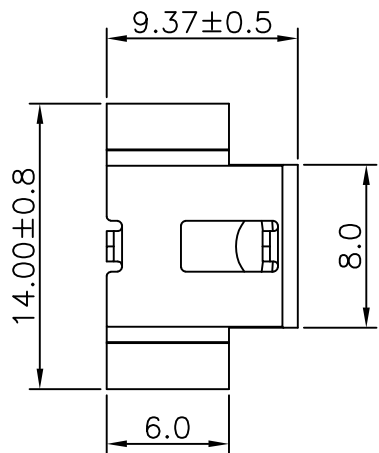
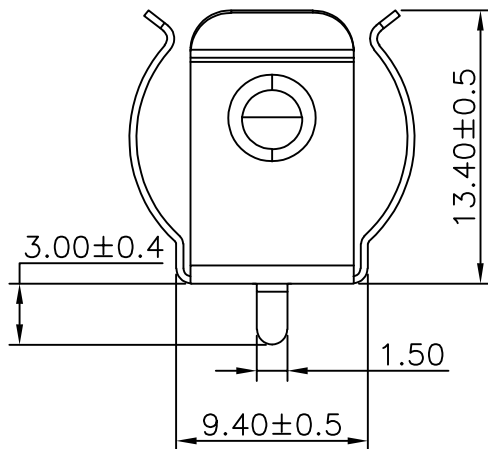
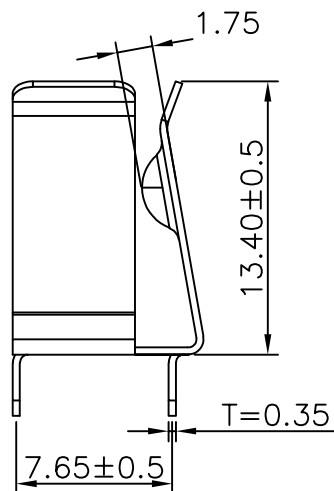




REV.	ECN NO.	REVISED	DATE



工程部  
2023-03-09  
H. WANG

UNLESS OTHERWISE SPECIFIED TOLERANCES		<b>MYOUNG 美用</b> <a href="http://www.meiyangdz.com">www.meiyangdz.com</a>	
DECIMALS: X :±0.30 X.X :±0.25 X.XX :±0.20 X.XXX :±0.10	ANGLES: X :±1° X.X :±0.5°	DSND YangFeng	DATE 2023-03-09
		CHKD ZhouRuicai	DATE 2023-03-09
		APVD XueShunyong	DATE 2023-03-09
WEIGHT:g		SCALE:1:1	SIZE: A4
SHEET 1 OF 1		VIEW:	UNIT: mm
		REV.: A/0	OBJECT: MY
		TITLE: 2A电池夹 Ni DIP 直脚3.0	
		PART NO.: MY-AA-16-J	
		DRAW NO.:WD-CP-0274	

1	TERMINAL	1	SPRING STEEL T=0.35MM	Ni-Plating
NO.	PART NAME	Q'TY	MATERIAL	PLATING & COLOR
1				