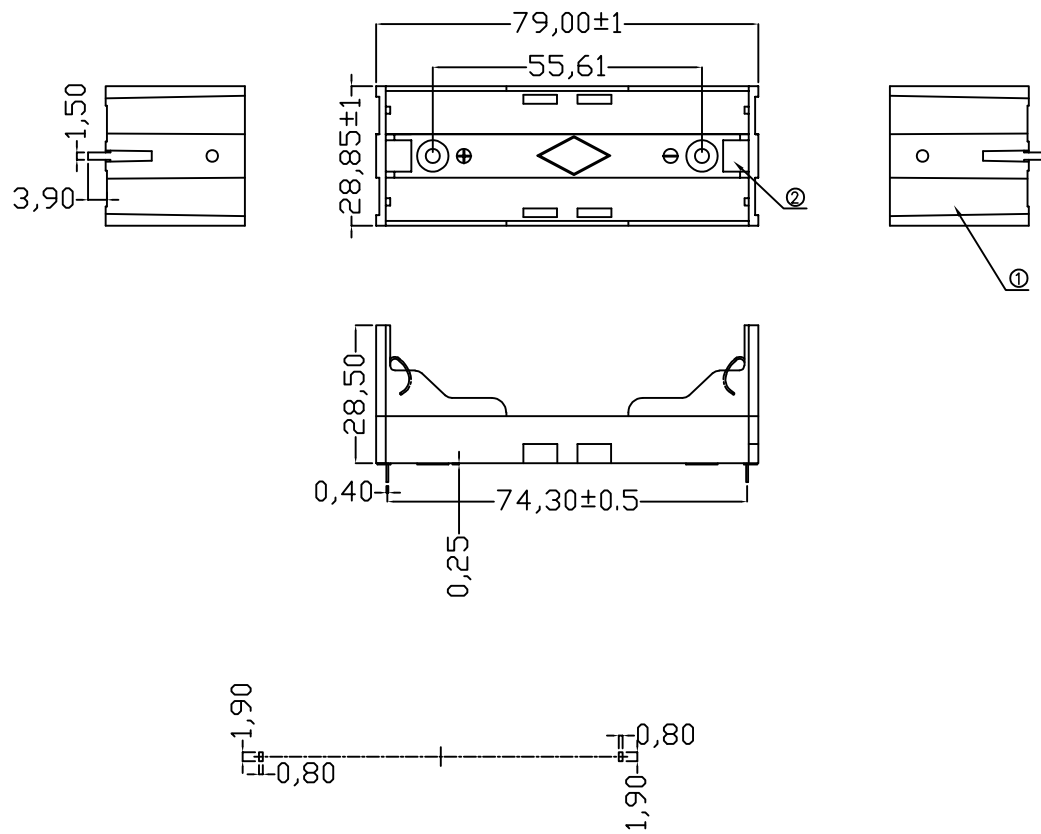




REV.	ECN NO.	REVISED	DATE

NOTE:  
 1.MATERIAL:  
 a.HOUSING:ABS RESIN BLACK  
 b.CONTACT:STEEL  
 (SURFACE PLATING: NI-PLATING)  
 SEE ORDERING INFORMATION  
 2.ELECTRIC:  
 a.DIELECTNIC VOLTAGE: 500V AC ONE SEC LEVEL  
 b.OPERATING TEMPERATURE: -10°C~ +100°C



PCB Layout Diagram  
Top View

ORDERING INFORMATION  
BH-26650-A5BJ001

电池盒 — PLATING:  
 A-Au1U"  
 J-Ni PLATING  
 K-Sn PLATING  
 电池型号 — MATERIAL:  
 1A-PP BLACK  
 1B-PA66 BLACK  
 2A-PPA BROWN  
 2B-PPA BLACK  
 3A-PPS BROWN  
 3B-PPS BLACK  
 4A-LCP WHITE  
 4B-LCP BLACK  
 5A-PA9T BLACK  
 5B-ABS BLACK  
 DIP 90° TYPE



UNLESS OTHERWISE SPECIFIED TOLERANCES		<b>MYOUNG 美阳</b> <a href="http://www.meiyangdz.com">www.meiyangdz.com</a>	
DECIMALS: X :±0.30 X.X :±0.25 X.XX :±0.20 X.XXX :±0.10	ANGLES: X :±1° X.X :±0.5°	DSND YangFeng	DATE 2019-08-03
WEIGHT:		CHKD ZhouRuicai	DATE 2019-08-03
SHEET 1 OF 1		APVD XueShunyong	DATE 2019-08-03
SCALE:		SIZE: A4	VIEW:
UNIT: mm		REV.: A/1	OBJECT: MY
TITLE:		TITLE: 电池盒BH-26650-1J Ni DIP	
PART NO.:		PART NO.: BH-26650-A5BJ001	
DRAW NO.:WD-CP-0060		DRAW NO.:WD-CP-0060	

2	TERMINAL	2	304 STEEL	Ni-Plating
1	HOUSING	1	ABS	BLACK
NO.	PART NAME	Q'TY	MATERIAL	PLATING & COLOR