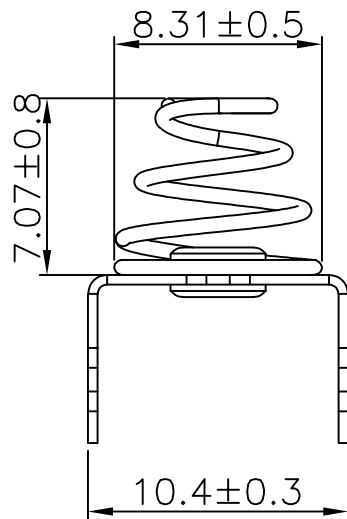
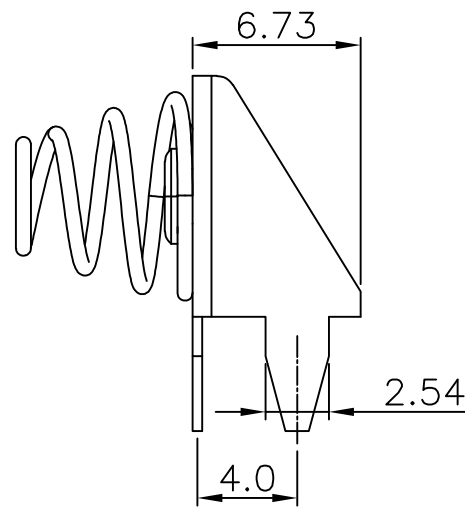
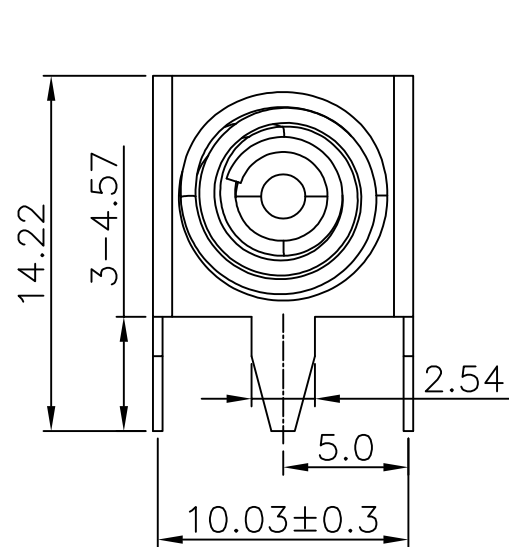
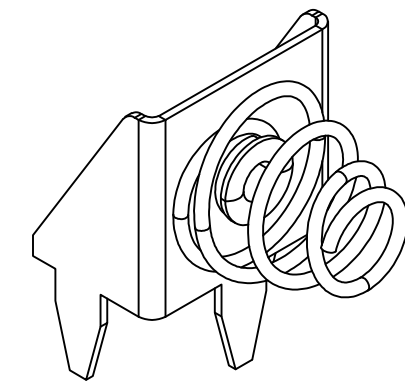




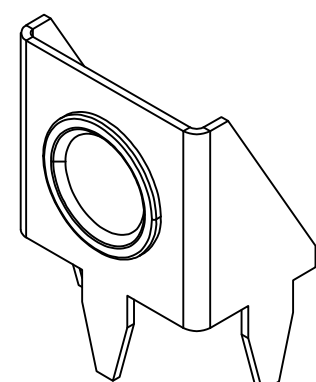
REV.	ECN NO.	REVISED	DATE



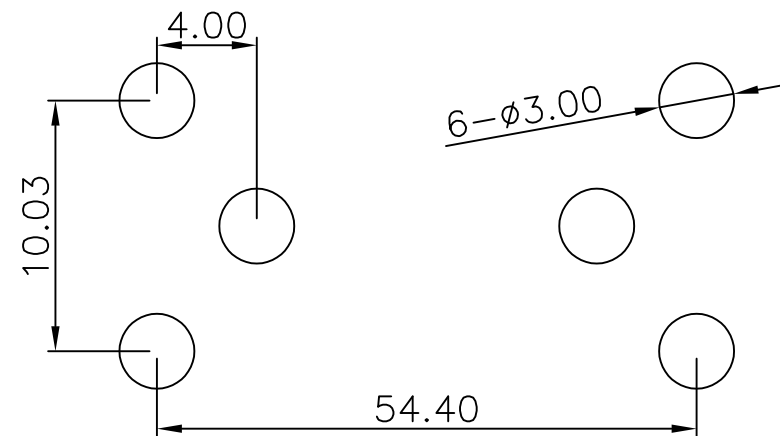
工程部  
2023-04-12  
H. WANG



P/N:MY-AAA-23-J



P/N:MY-AAA-24-J



PCB Layout Diagram  
Top View

2	SPRING(-)	1	MUSIC WIRE, T=0.6MM	Ni-PLATING
1	TERMINAL(-)	1	BRASS, T=0.4MM	Ni-PLATING
NO.	PART NAME	Q'TY	MATERIAL	PLATING & COLOR

UNLESS OTHERWISE SPECIFIED TOLERANCES		<b>MYOUNG 美用</b> <a href="http://www.meiyangdz.com">www.meiyangdz.com</a>			
DECIMALS: X :±0.30 X.X :±0.25 X.XX :±0.20 X.XXX :±0.10	ANGLES: X :±1° X.X :±0.5°	DSND	YangFeng	DATE	2023-04-12
WEIGHT:		CHKD	ZhouRuicai	DATE	2023-04-12
SHEET 1 OF 1		APVD	XueShunyong	DATE	2023-04-12
SCALE:		SIZE: A4		VIEW:	
UNIT: mm		REV.:	A/0	OBJECT:	MY
TITLE:		七号电池弹片负极023 Ni DIP			
PART NO.:		MY-AAA-23-J			
DRAW NO.:		WD-CP-0295			