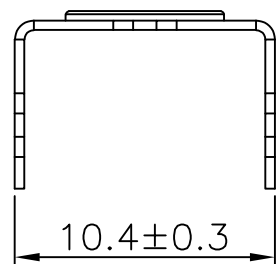
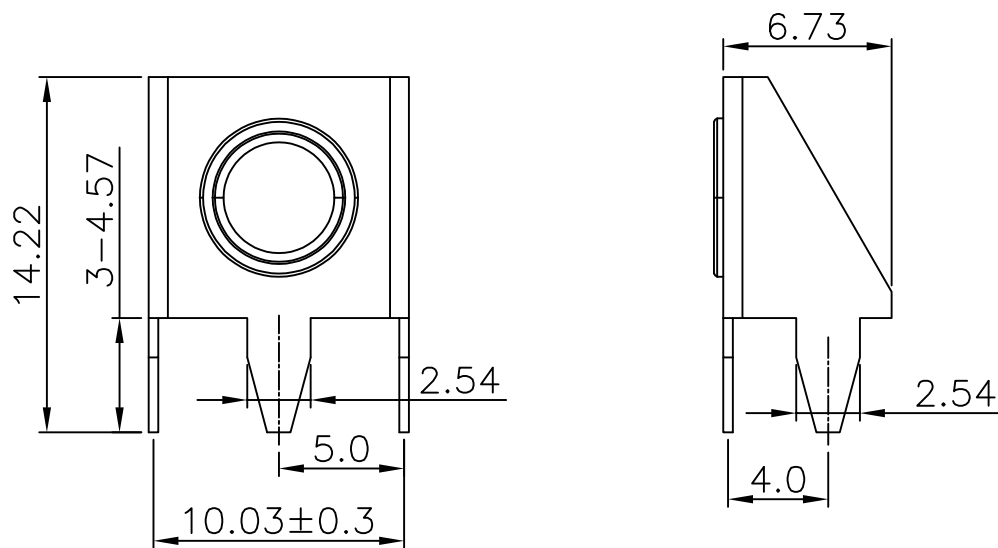
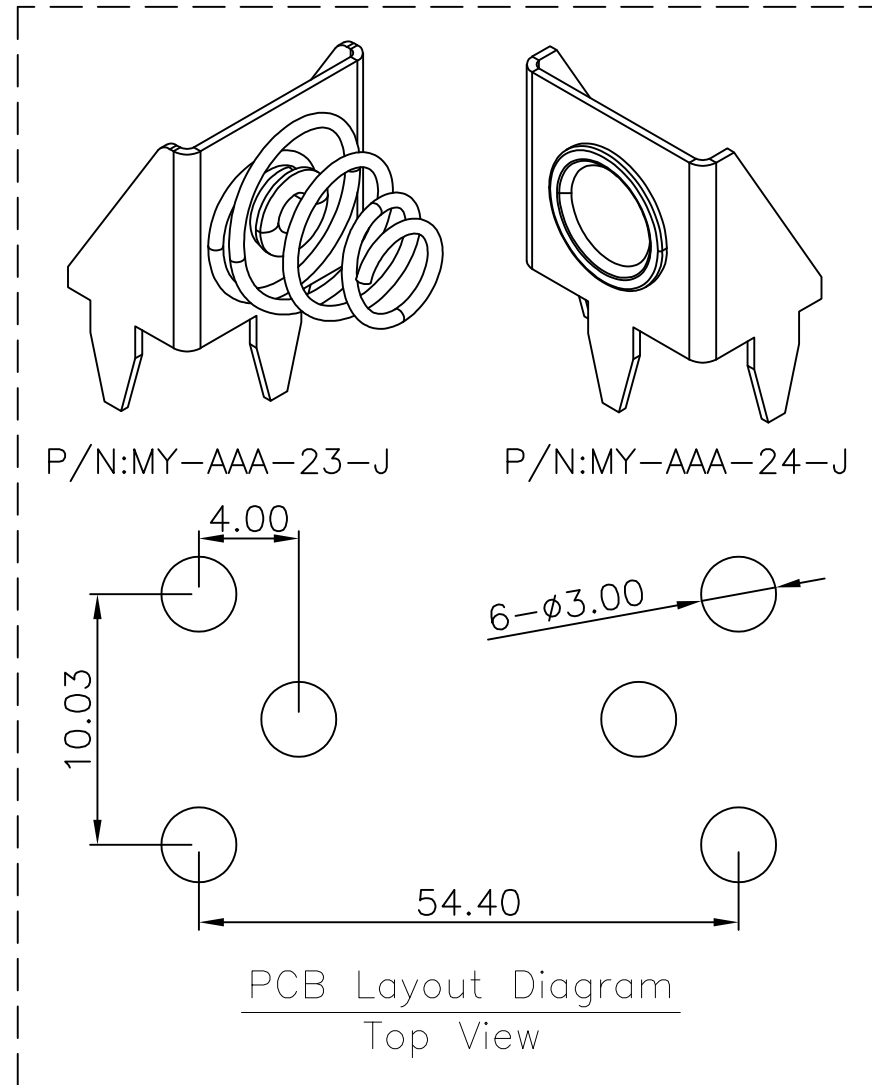




REV.	ECN NO.	REVISED	DATE



工程部
2023-04-12
H. WANG



P/N:MY-AAA-23-J

P/N:MY-AAA-24-J

PCB Layout Diagram
Top View

UNLESS OTHERWISE SPECIFIED TOLERANCES		MYOUNG 美用 www.meiyangdz.com	
DECIMALS: X :±0.30 X.X :±0.25 X.XX :±0.20 X.XXX :±0.10	ANGLES: X :±1° X.X :±0.5°	DSND YangFeng	DATE 2023-04-12
TITLE: 七号电池弹片正极024 Ni DIP		CHKD ZhouRuicai	DATE 2023-04-12
PART NO.: MY-AAA-24-J		APVD XueShunyong	DATE 2023-04-12
WEIGHT:		SCALE:	SIZE: A4
VIEW:		UNIT: mm	REV.: A/0
SHEET 1 OF 1		OBJECT: MY	DRAW NO.:WD-CP-0296

1	TERMINAL(+)	1	BRASS, T=0.4MM	Ni-PLATING
NO.	PART NAME	Q'TY	MATERIAL	PLATING & COLOR