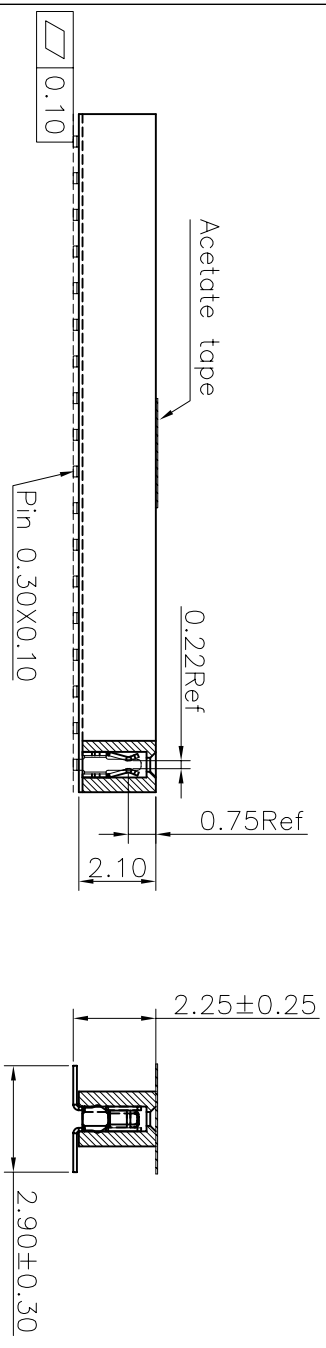
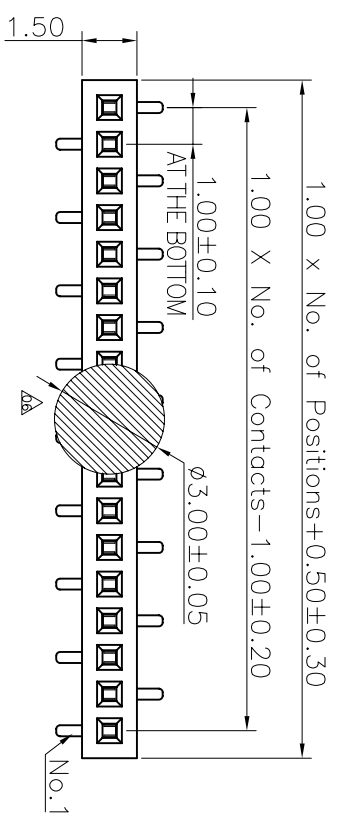


REV.	LOCAS.	DESCRIPTION	DATE	DRAWN
05	△	以防止膠紙脫落,變更04pin膠紙規格	2012.06.27	黃小燕
06	△	以防止膠紙脫落,變更02-40pin膠紙規格	2012.08.24	黃小燕
07	△	依業務要求增加圖面加底插的PCB layout	2019.02.13	何東華

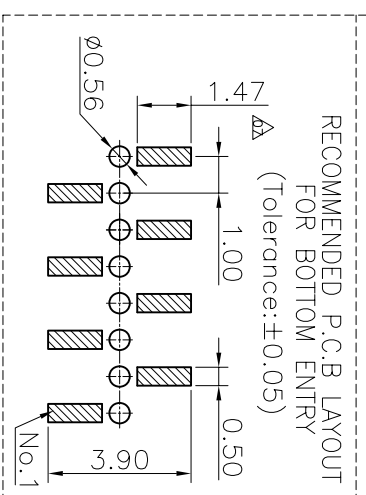
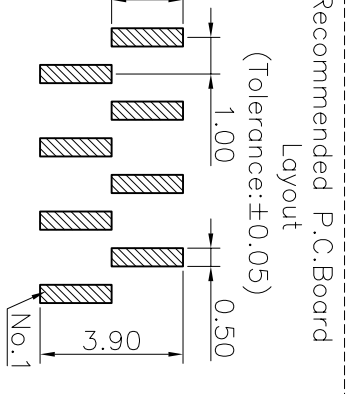


Specifications
 Current Ratings: 1Amp
 Insulation Resistance: 1000MΩMin.
 Dielectric Withstanding Voltage: 300VAC
 Contact Resistance: 20mΩMax.
 Operating Temperature: -40°C to +105°C Materials
 Contact Material: Phosphor Bronze
 Insulator Material: High Temperature Thermoplastic, UL 94V-0 LCP or the equivalent material
 All materials must meet Greenconn requirement for environment protection.

Ordering Information

C SCC118 - XX XX A 001 C 1 A X

No. of Pins per Row: 02~40
 Standard Plating: 02=Gold Flash, 01=Tin, 05=Gold Flash/Tin
 Color: 1=Black
 Standard Packing: C=Tube
 Selective Packing: A=box, E=Cap+Tube, F=Cap+Tape&Reel, G=Acetate Tape+Tube, H=Acetate Tape+Tape&Reel



格 菱 股 份 有 限 公 司 Greenconn Corporation			GENERAL TOLERANCE X: ±5.0° X: ±3.0° X: ±2.0° .XXX ±1.0°		DESIGNED: 何東華 CHECKED: CO SIGNED: 張世霖 APPROVED:		DWG. NO. CSCC118-CA1CA PART NO. CSCC118-XXXX A00TC1AX		TITLE: 1.00 FEMALE HEADER SINGLE ROW SMT TYPE CONNECTOR		
REV. 07	UNIT. mm	SCALE. 5:1	PAGE. 1/1			DATE: 2019.02.13 DATE: DATE: 2019.02.13 DATE:		DATE:		DATE:	