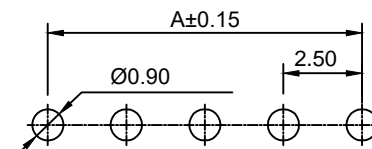
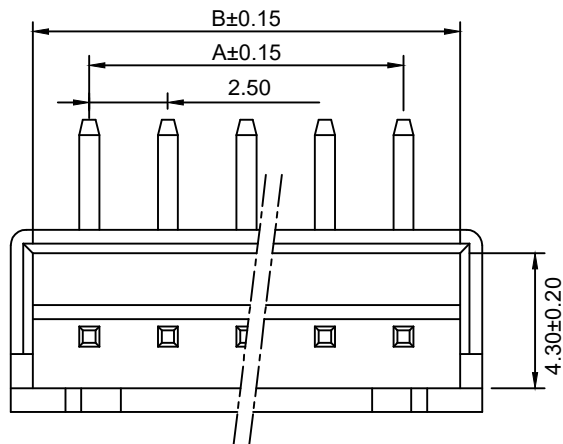
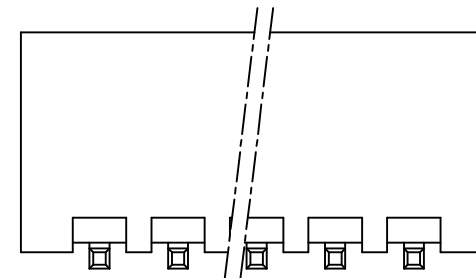
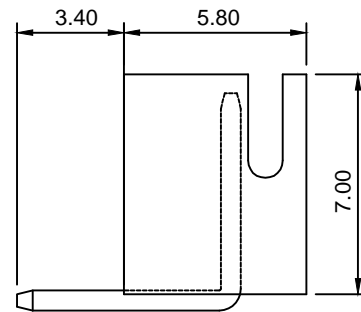
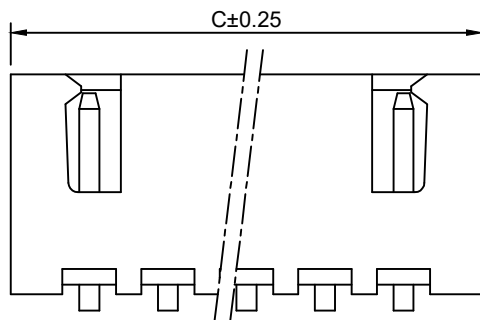


**Specifications:**

规格:

- 1.Voltage rating:250VAC/DC  
额定电压: 250V AC/DC
- 2.Current rating:3A AC/DC  
额定电流: 3A AC/DC
- 3.Withstanding voltage:1000V AC/minute  
耐受电压: 1000V AC/分钟
- 4.Temperature range: -25℃--+85℃  
温度范围: -25℃--+85℃
- 5.Insulation resistance:1000MΩ MIN  
绝缘电阻: 1000MΩ MIN
- 6.Contact resistance:10mΩ Max  
接触电阻: 10mΩ Max



P.C.B LAYOUT

8821WR-XXP	Nylon UL94V-0	Brass	Tin Plated	8821H
Series No.	Material	Material	Metal plating	Mate with Housing

Circuits	Dimensions		
	A	B	C
2	2.50	6.10	7.50
3	5.00	8.60	10.00
4	7.50	11.10	12.50
5	10.00	13.60	15.00
6	12.50	16.10	17.50
7	15.00	18.60	20.00
8	17.50	21.10	22.50
9	20.00	23.60	25.00
10	22.50	26.10	27.50
11	25.00	28.60	30.00
12	27.50	31.10	32.50
13	30.00	33.60	35.00
14	32.50	36.10	37.50
15	35.00	38.60	40.00
16	37.50	41.10	42.50

new		2015/5/3	A	瀚源	
ECN BO.		DESCRIPTION.	DATE.		REV.
DESIGNED	CHECKED	APPROVAL	DRAWING NUMBER	SCALE: 1/2	SCALE: 3:1
Mikey	Tom	Jerry	PART NAME 8821WR-XXP	UNLESS OTHERWISE SPECIFIED, TOLERANCE:	X. ±0.25
			MODEL NAME H-8821WR-XXP		X.xx ±0.20
			3RD ANGLE PROJ	HanElectricity Co.,LTD	ANGULAR ±3°
					FILE.NO.