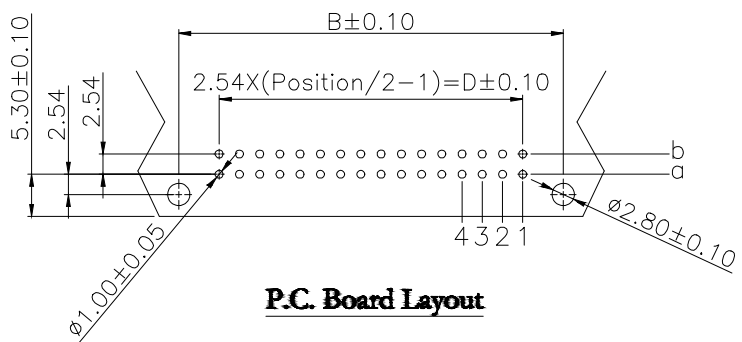
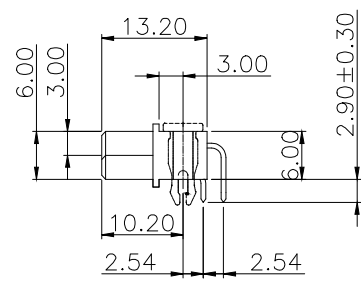
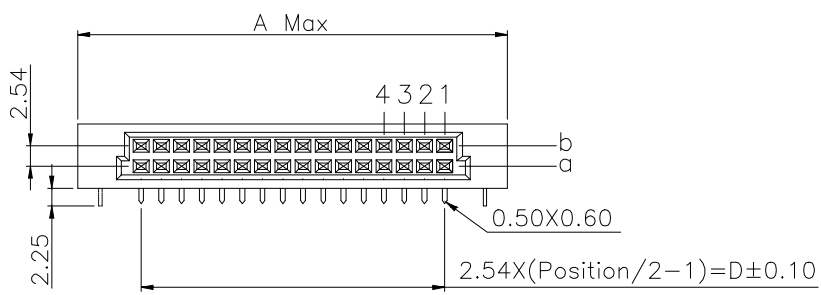
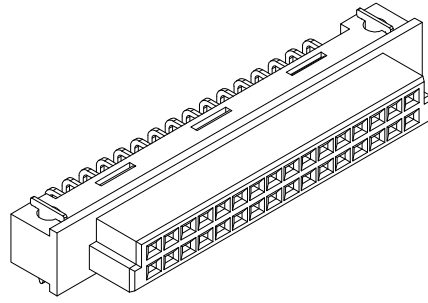
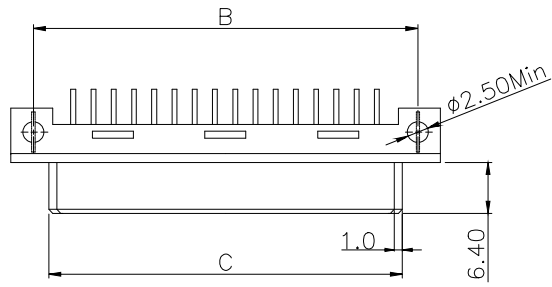


REV.	SPECIFICATION	ECN NO.	APPD.
R4		BCN190103	

**Material and Plating:**  
**Housing:** PBT, UL94V-0, Beige .  
**Contacts:** Copper Alloy.  
**Gold Plated on Contact Area and 80u" Min Tin or Gold Flash Plated on Solder Tail over Nickel 50u" Min .**  
**Lock:** Phosphor bronze.  
**Electrical Characteristics:**  
**Current Rating:** 2 AMP.  
**Dielectric Withstanding Voltage:** AC1000V For 1 minute.  
**Insulator Resistance:** 1000MΩ min. at DC 500V.  
**Contact Resistance:** 20mΩ max. at DC 100mA.  
**Operating Temperature:** -55°C ~+125°C .  
**\*RoHS Compliant**



**P.C. Board Layout**

**9001- 3 8 xx 1 C xx x A**  
**Series** ——— **A:Tray Package**  
**3:2.54mm** ——— **Blank: W/O Lock**  
**8:Female** ——— **L1: With Lock**  
**Position** ——— **00:G/F**  
**1: Dip Length** ——— **10:10u"**  
                                   **15:15u"**  
                                   **30:30u"**  
                                   **C:Dip Tin**  
                                   **Contact Gold**  
                                   **G: Gold**

Pin	Dimension			
	A	B	C	D
08/04	23.52	17.78	13.92	7.62
10/05	26.06	20.32	16.46	10.16
12/06	28.60	22.86	19.00	12.70
16/08	33.68	27.94	24.08	17.78

P/N	Contact Arrange	Rows with Contacts	Pin	Pitch
9001-38161CxxxA		a-	16	2.54mm
9001-38221CxxxA		a-	22	
9001-38241CxxxA		a-	24	
9001-38151CxxxA		a-	25	
9001-38321CxxxA		ab	32	
9001-38441CxxxA		ab	44	
9001-38481CxxxA		ab	48	
9001-38501CxxxA		ab	50	

Tolerances	Dwg. No.	9001D38001	Title:		 深圳市格林柏电子技术开发有限公司 P/N: 9001-38xx1CxxxA SHEET 1/1 Ver.No. R4			
x = ±0.5	Projection		9001 Series					
.x = ±0.25	Unit	mm	Scale	1:1				
.xx = ±0.15	Drawn By	dyq 01/04'19	DIN41612 Half Q,1/3Q Type Female					