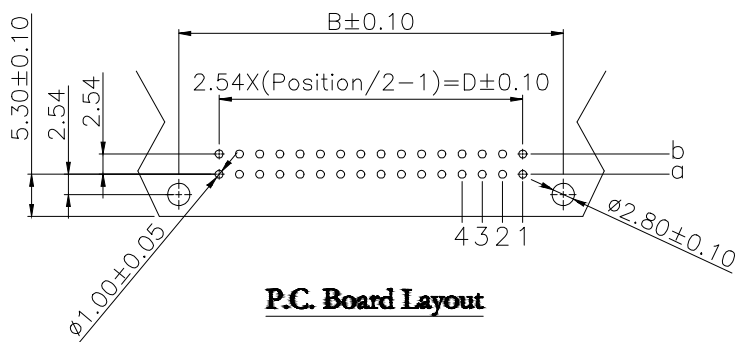
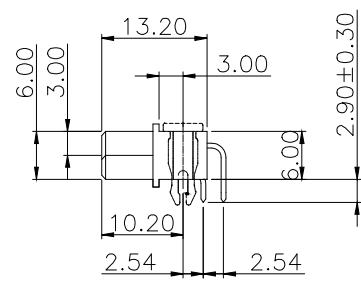
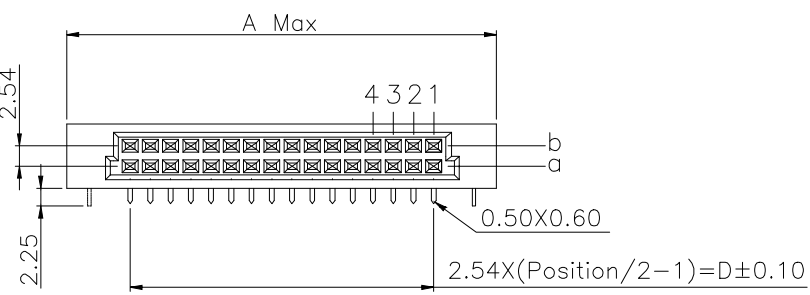
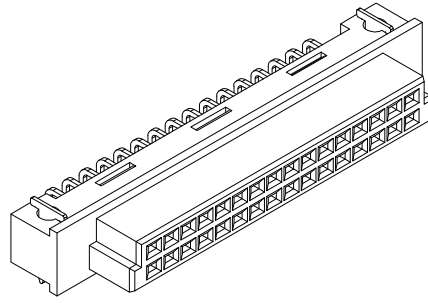
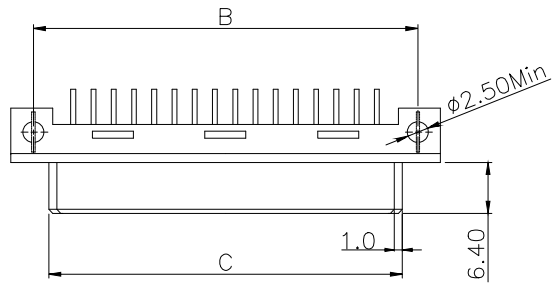


REV.	SPECIFICATION	ECN NO.	APPD.
R4		BCN190103	

Material and Plating:
Housing: PBT, UL94V-0, Beige .
Contacts: Copper Alloy.
Gold Plated on Contact Area and 80u" Min Tin or Gold Flash Plated on Solder Tail over Nickel 50u" Min .
Lock: Phosphor bronze.

Electrical Characteristics:
Current Rating: 2 AMP.
Dielectric Withstanding Voltage: AC1000V For 1 minute.
Insulator Resistance: 1000MΩ min. at DC 500V.
Contact Resistance: 20mΩ max. at DC 100mA.
Operating Temperature: -55°C ~+125°C .

***RoHS Compliant**



P.C. Board Layout

9001- 3 8 xx 1 C xx x A

Series
3: 2.54mm

8: Female

Position

1: Dip Length

C: Dip Tin

xx: Contact Gold

x: Gold

A: Tray Package

Blank: W/O Lock

L1: With Lock

00: G/F

10: 10u"

15: 15u"

30: 30u"

Pin	Dimension			
	A	B	C	D
32/16	54.00	48.26	44.40	38.10
44/22	69.24	63.50	59.64	53.34
48/24	74.32	68.58	64.72	58.42
50/25	76.86	71.12	67.26	60.96

P/N	Contact Arrange	Rows with Contacts	Pin	Pitch
9001-38161CxxxA		a-	16	2.54mm
9001-38221CxxxA		a-	22	
9001-38241CxxxA		a-	24	
9001-38151CxxxA		a-	25	
9001-38321CxxxA		ab	32	
9001-38441CxxxA		ab	44	
9001-38481CxxxA		ab	48	
9001-38501CxxxA		ab	50	

Tolerances	Dwg. No.	9001D38001
x = ±0.5	Projection	
.x = ±0.25	Unit	mm
.xx = ±0.15	Scale	1:1
	Drawn By	dyq 01/04'19

Title:

9001 Series

DIN41612 Half

Q,1/3Q Type Female

WINGTAT [®]			
深圳市格林柏电子技术开发有限公司			
P/N: 9001-38xx1CxxxA			
SHEET	1/1	Ver.No.	R4