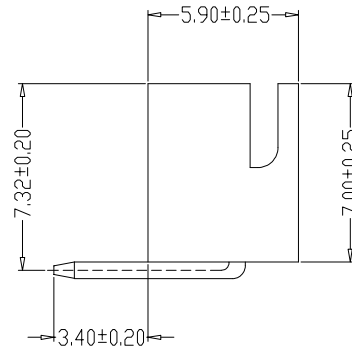
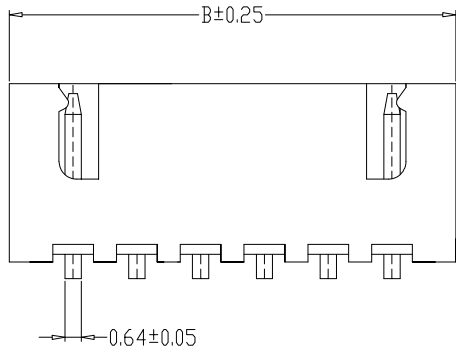


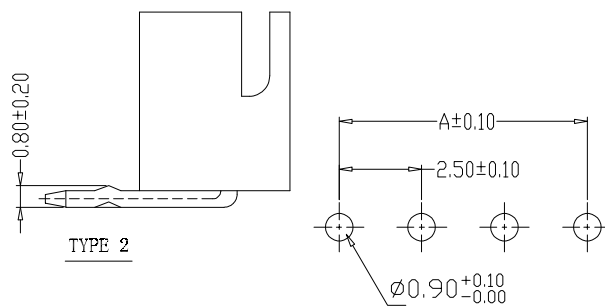
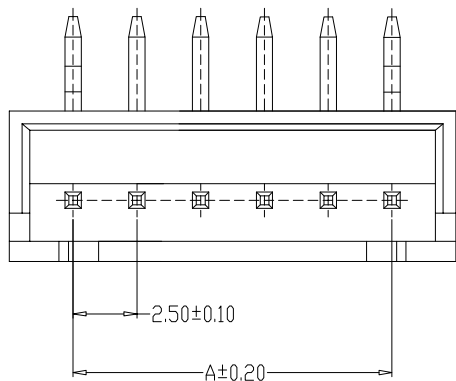
版本	变更内容	工程确认	日期



TYPE 1

SPECIFICATIONS

- 1、Current Rating: 3A AC, DC
- 2、Voltage Rating: 250V AC, DC
- 3、Temperature Range: -25°C~+85°C
- 4、Contact Resistance: 20MΩ Max
- 5、Insulation Resistance: 1000MΩ Min
- 6、Withstanding Voltang: 1000V AC/minute
- 7、Material: Wafer Nylon66、UL94V-0
PIN Brass Tin-plated



TYPE 2

PCB LAYOUT

编号	尺寸 (mm)	
	A	B
YTC-A2501-02AW	2.50	7.50
YTC-A2501-03AW	5.00	10.00
YTC-A2501-04AW	7.50	12.50
YTC-A2501-05AW	10.00	15.00
YTC-A2501-06AW	12.50	17.50
YTC-A2501-07AW	15.00	20.00
YTC-A2501-08AW	17.50	22.50
YTC-A2501-09AW	20.00	25.00
YTC-A2501-10AW	22.50	27.50
YTC-A2501-11AW	25.00	30.00
YTC-A2501-12AW	27.50	32.50
YTC-A2501-20AW	47.50	52.50

深圳市怡远科技有限公司 SHENZHEN YIYUAN TECHNOLOGY CO., LTD	页码 (SHEET)	1/1	单位 (UNIT): MM
	版本 (REV)	A1	比例 (SCALE)
品名 (ITEM NO)	2.5间距弯针 WAFER DIP TYPE	日期 (DATE)	2021. 10. 12
料号 (PART NO)	YTC-A2501**AW	设计 (DESIGN)	LUO
图号 (DWG NO)		审核 (CHECKED)	ROGER LI
		核准 (APPROVED)	ROC ZHAO

GENERAL TOLERANCE	
X.±0.25	X'.±2'
.XX±0.20	.X'±1'
.XXX±0.15	.XX'±0.5'
.XXX±0.10	.XXX'±0.5'

These drawings and specifications are Shenzhen Yiyuan Technology Co Ltd.The property should not be copied. Without Shenzhen Yiyuan Technology Co. Ltd.Prior written consent to copy or use in any way. Email at info@yiyuanswitches.com