

Specifications:

规格:

Voltage rating:250V AC/DC

额定电压: 250V AC/DC

Current rating:3A AC/DC

额定电流: 3A AC/DC

Withstanding voltage:1000V AC/minute

耐受电压: 1000V AC/分钟

Temperature range:-40°C-+85°C

温度范围: -40°C-+85°C

Insulation resistance: 1000MΩ min

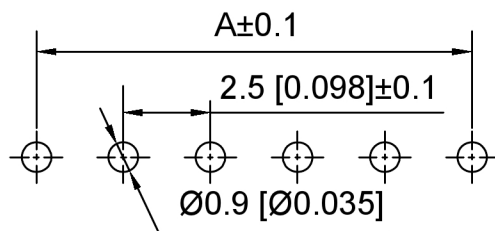
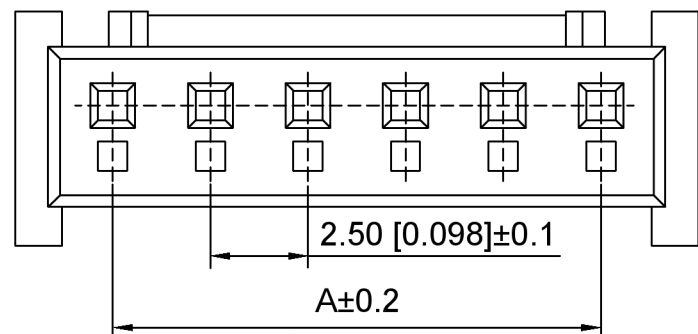
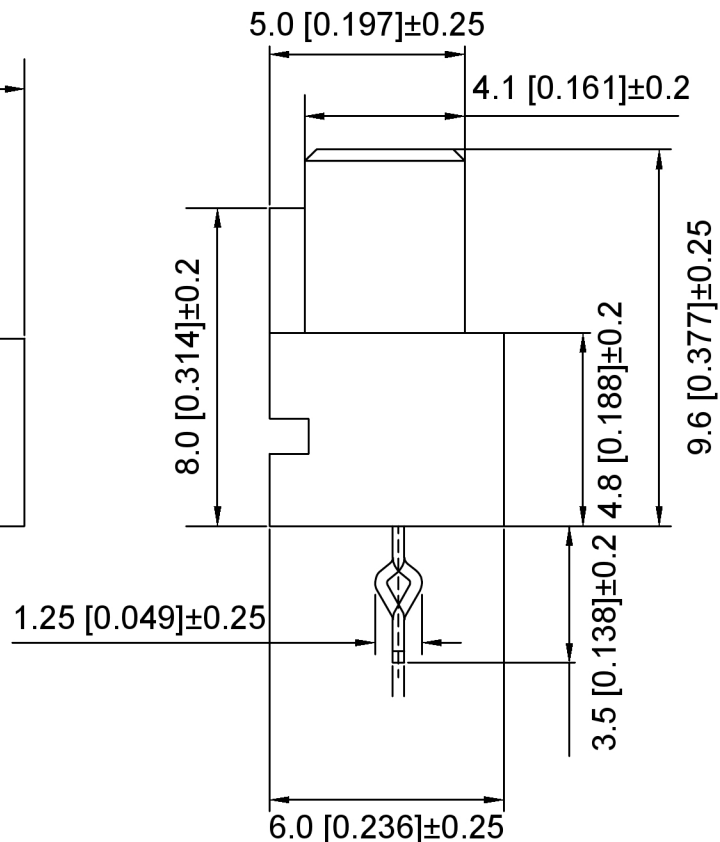
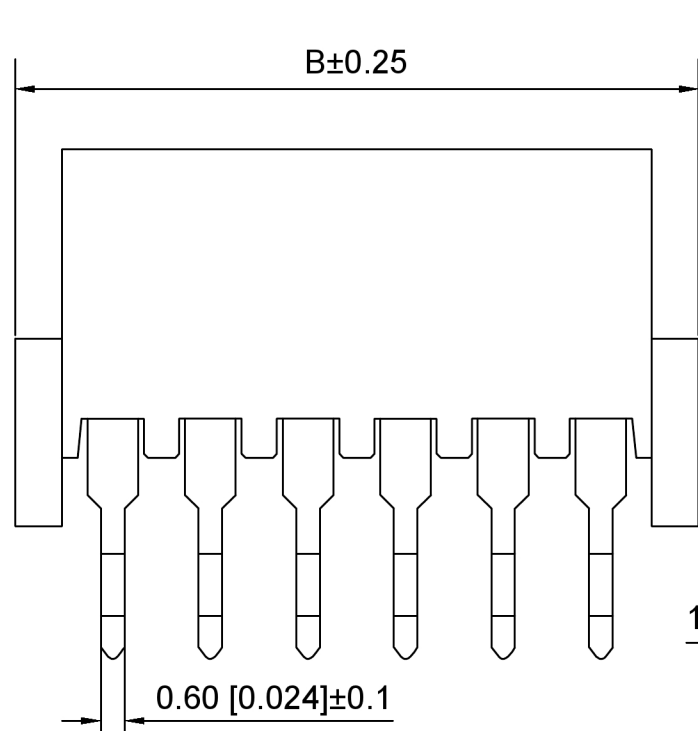
绝缘电阻: 1000MΩ Min

Contact resistance:20mΩ Max

接触电阻: 20mΩ Max

X8821 W V-XX A-N0 SN
① ② ③ ④ ⑤ ⑥ ⑦

- 1.Series No
- 2.Category:W-Wafer
- 3.Welding Board Angle:V-Straight 180°
- 4..Row No-Pin No:XX-03P~20P
- 5.TYPE:A
- 6.Material:N0-Nylon66 UL94V-0
- 7.Plating Category:SN-Bright Tin Plating



Poles	Dimensions(mm)	
	A	B
03	5.00	10.00
04	7.50	12.50
05	10.00	15.00
06	12.50	17.50
07	15.00	20.00
08	17.50	22.50
09	20	25.00
10	22.50	27.50
11	25.00	30.00
12	27.50	32.50
20	47.50	52.50

X8821WV-XXA-N0SN	Nylon66	Phosphor bronze	X8821H	X8821T
PART NO	Material	Material(PIN)	Suitable XKB Housing	Suitable XKB Terminal

广东星坤科技股份有限公司

MARK	DESCRIPTION	DATE	REVISED	APPROVED	UNSPECIFIED TOLERANCES
Δx					ANGULAR ±5°
Δx					L ≤ 4 ±0.2
Δx					4 < L ≤ 16 ±0.3
					16 < L ≤ 63 ±0.4
					L > 63 ±0.5



DSND	SCALE: N/A	MODEL TYPE: 2.5 mm BTB Style Connector
DWN	VIEW:	PART NO.: X8821WV-XXA-N0SN
CHKD	UNIT: mm/in	DWG NO.: X-X8821WV-XXA-N0SN
APPD	SIZE: A4	WEIGHT
		SHEET
		REVISION
		1/1
		A0

XKB INDUSTRIAL PRECISION CO., LIMITED

文件工程章