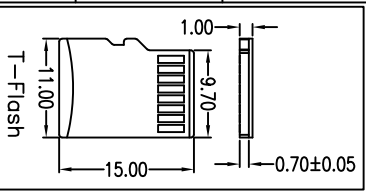
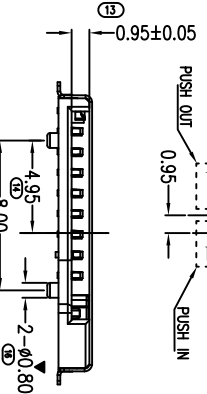
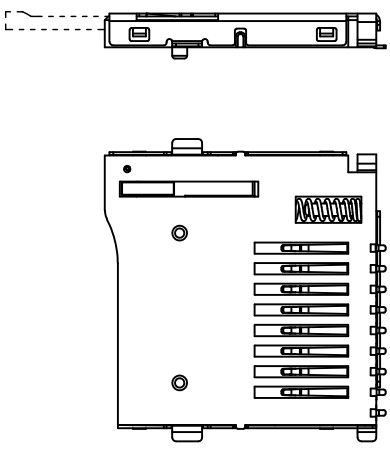
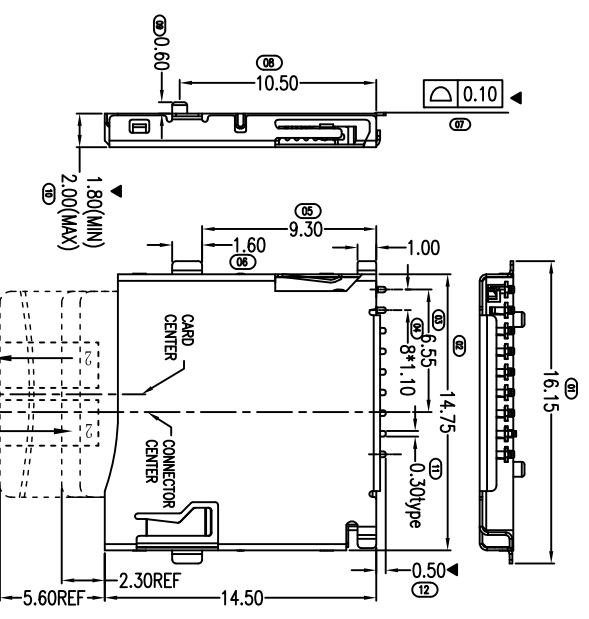
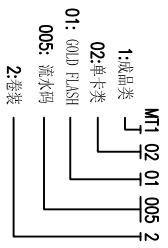
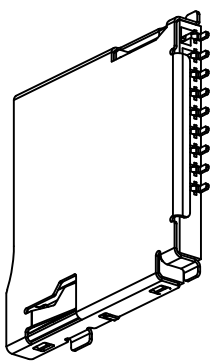
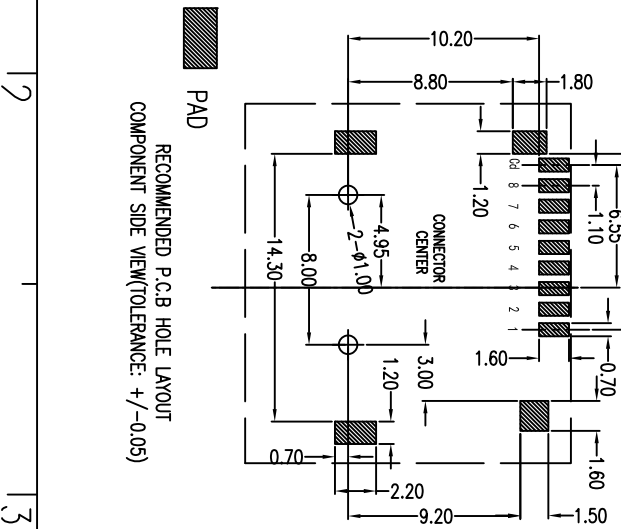


REV.	EC#	DESCRIPTION	DATE	DRAWING	CHECKED	APPROVED
A		NEW RELEASE	06/16/13	HANYONG		HANYONG



PIN NO.	NAME	TYPE	DESCRIPTION
1	DAT2	I/O/PP	DATE LINE(BIT2)
2	CD/DAT3	I/O/PP	CARD DETECT DATE LIN(BIT3)
3	CMD	PP	COMMAND RESPONSE
4	VDD	S	SUPPLY VOLTAGE
5	CLK	I	CLOCK
6	VSS	S	SUPPLY VOLTAGE GROUND
7	DAT0	I/O/PP	DATE LINE(BIT0)
8	DAT1	I/O/PP	DATE LINE(BIT1)



PART NO: MT1 02 01 005 2
 UNDERPLATE: NICKEL 40U"
 CONTACT AREA: GOLD FLASH OVER NICKEL 40U"
 SOLDER AREA: TIN 80U" MIN OVER NICKEL 40U"
 SHELL: PLATE 30U" NICKEL MIN OVER ALL

NOTES:
 ELECTRICAL CHARACTERISTICS
 CONTACT CURRENT RATING: 0.5A
 DIELECTRIC WITHSTANDING VOLTAGE: AC 500V
 INSULATION RESISTANCE: 500MΩ MIN
 CONTACT RESISTANCE: 100mΩ MAX
 ENVIRONMENTAL
 TEMPERATURE RANGE: -25°C TO +85°C
 MECHANICAL CHARACTERISTICS
 MATING CYCLES: 5000 INSERTIONS
 INSERTION/OUT FORCE: 0.1-4.0KGF
 MATERIAL
 INSULATOR: HIGH TEMPERATURE PLASTIC UL94V-0
 COLOR: BLACK
 CONTACT: COPPER ALLOY
 SHELL: STAINLESS
 SPRING: SWP
 PLATING:
 CONTACT

T-+镀壳	1PC
T-+绝缘	1PC
T-+绝缘	1PC
T-F 0P1V端子	1SET
T-F滑块	1PC
T-F主体嵌芯	1PC
规格	数量

MINTRON TECHNOLOGY CO., LTD.

PART NUMBER: MT102010052
 TITLE: T-FLASH 外焊卡座(卷装)

MILLIMETERS	INCH	UNITS	MM
X° ± Z°	X° ±	MAT'L	SEE NOTES
X ± 0.35	.XX ±	FINISH	SEE NOTES
.XX ± 0.25	.XXX ±	APPD:	HotYong
.XXX ± 0.15	.XXX ±	CHKD:	---
		DR:	YZZ
		QTY	SEE NOTES

SCALE	SHEET	REV.
1:1	1/2	A1

1 2 3 4 5

A B C D E