

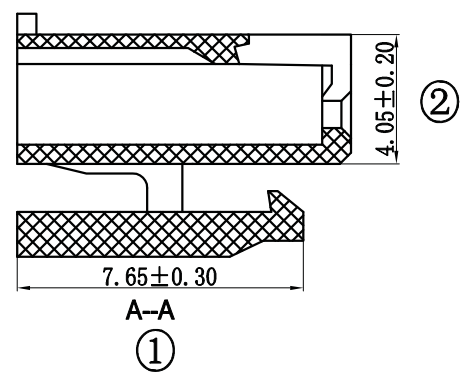
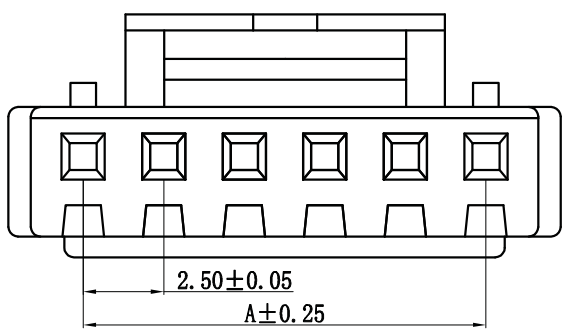
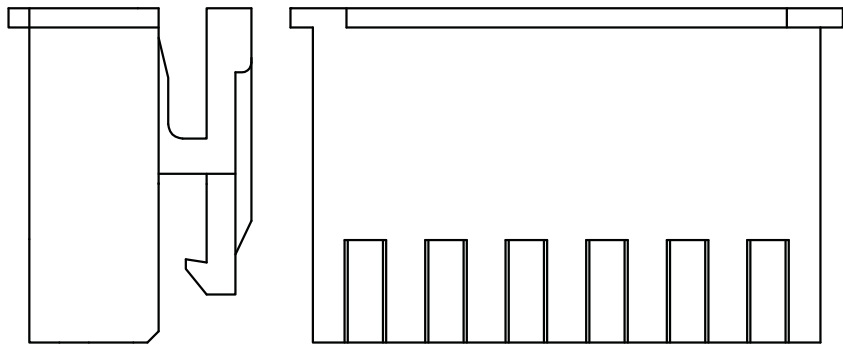
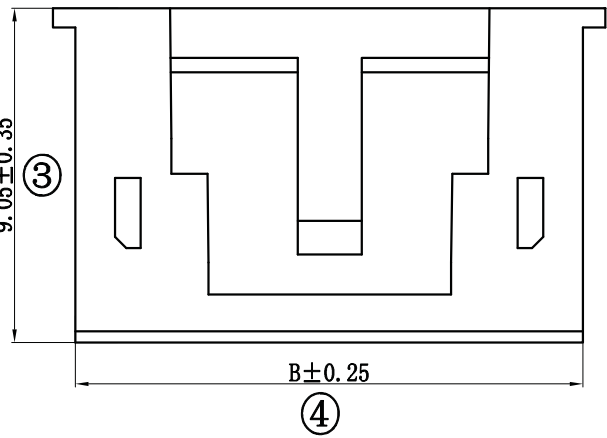
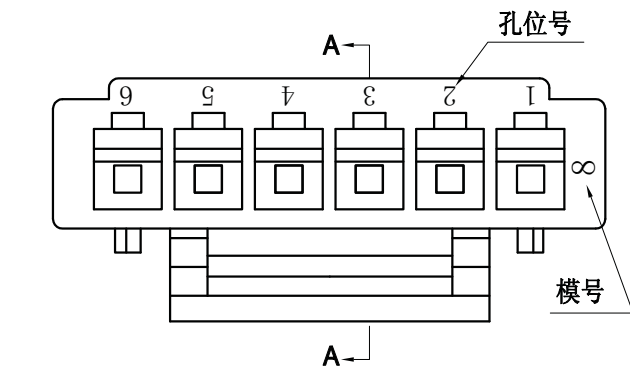
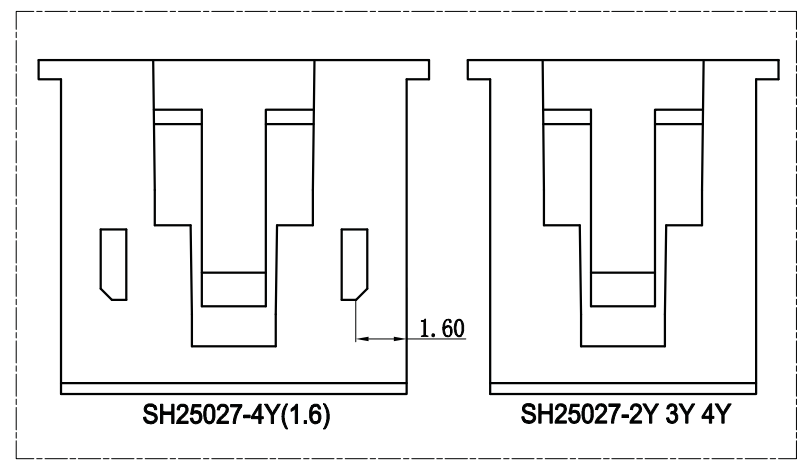
| 标记 MARK. | 更改内容 MODIFICATION | 日期 DATE | 修改 DRAW | 核准 APPROVE |
|-------------|----------------------|------------|------------|---------------|
| | | | | |
| | | | | |

技术要求Specification:

- 1、材质Material: PA66 UL94V-0;
- 2、额定电流 Current rating:3.0A AC,DC
- 3、额定电压 Voltage rating: 250V AC,DC
- 4、温度范围 Temperature range:-25℃to+85℃
- 5、接触电阻 Contact resistance:≤20mΩ
- 6、绝缘电阻 Insulation resistance:≥1000MΩ
- 7、耐压 Withstand voltage:1000V AC/minute
- 8、塑件表面平整光洁, 无明显的毛刺、气泡、变形、浇口拉伤、缺料等不良现象。

Plastic surface smooth and clean, no obvious glitches, bubbles, distortion, gate strain, lack of material and other undesirable phenomena.

| 线数 poles | 型号 Type | 尺寸Dimensions mm | |
|-------------|-------------|-----------------|-------|
| | | A | B |
| 2 | SH25027-2Y | 2.50 | 5.80 |
| 3 | SH25027-3Y | 5.00 | 8.30 |
| 4 | SH25027-4Y | 7.50 | 10.80 |
| 5 | SH25027-5Y | 10.00 | 13.30 |
| 6 | SH25027-6Y | 12.50 | 15.80 |
| 7 | SH25027-7Y | 15.00 | 18.30 |
| 8 | SH25027-8Y | 17.50 | 20.80 |
| 9 | SH25027-9Y | 20.00 | 23.30 |
| 10 | SH25027-10Y | 22.50 | 25.80 |
| 11 | SH25027-11Y | 25.00 | 28.30 |
| 12 | SH25027-12Y | 27.50 | 30.80 |
| 13 | SH25027-13Y | 30.00 | 33.30 |
| 14 | SH25027-14Y | 32.50 | 35.80 |
| 15 | SH25027-15Y | 35.00 | 38.30 |
| 16 | SH25027-16Y | 37.50 | 40.80 |
| 17 | SH25027-17Y | 40.00 | 43.30 |



| TOLERANCE UNLESS OTHERWISE SPECIFIED | | *: Inspection Item | | 兆星精密电子(深圳)有限公司 | | | | | |
|--------------------------------------|--------|--------------------|------------------------------|----------------|---------------|----|----------------|-----|----|
| .X±0.30 | X.°±1° | NO | :Cp/Cpk and SPC Control Item | 名称 | HA2.54胶壳-6Pin | | | | |
| .XX±0.20 | .X°± | | | 材料 | PA66 | 编号 | ZX-HA2.54-6PJK | 单位 | mm |
| .XXX±0.10 | .XX°± | MATERIAL | | 料厚 | | 比例 | 1:1 | 版本 | A |
| 制图 | | 料宽 | | 角法 | | | | 规格书 | |
| 审核 | | 日期 | | 角法 | | | | | |
| 批准 | | 日期 | | 角法 | | | | | |