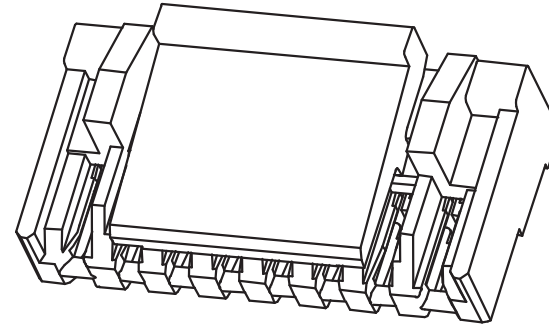
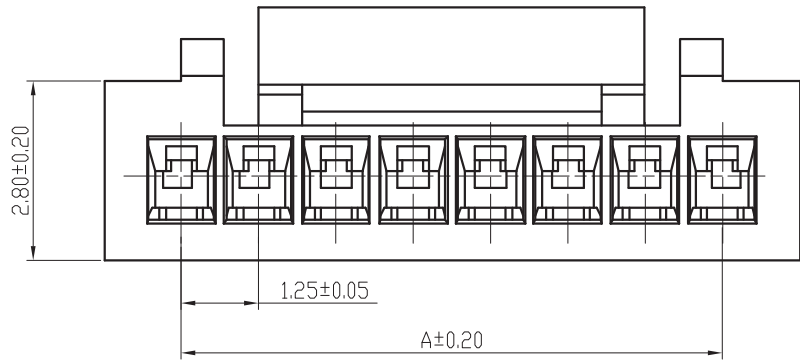


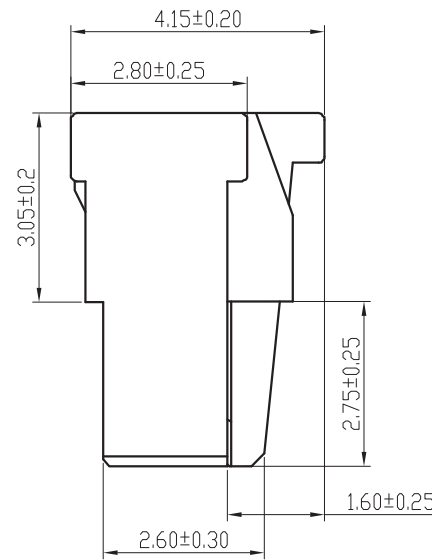
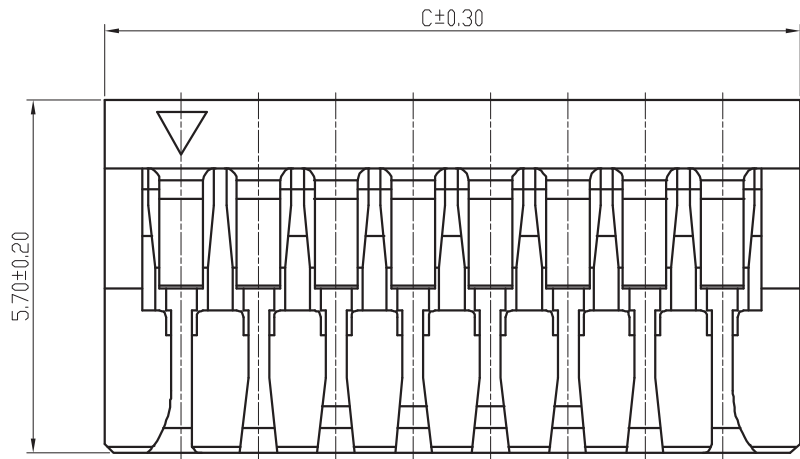
| 标记<br>MARK. | 更改内容<br>MODIFICATION | 日期<br>DATE | 修改<br>DRAW | 核准<br>APPROVE |
|-------------|----------------------|------------|------------|---------------|
|             |                      |            |            |               |



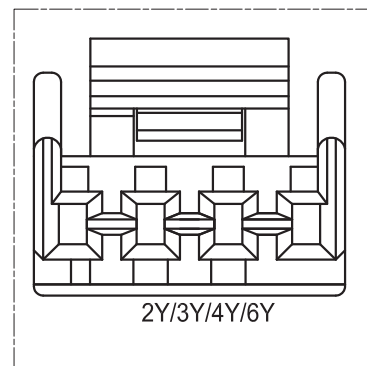
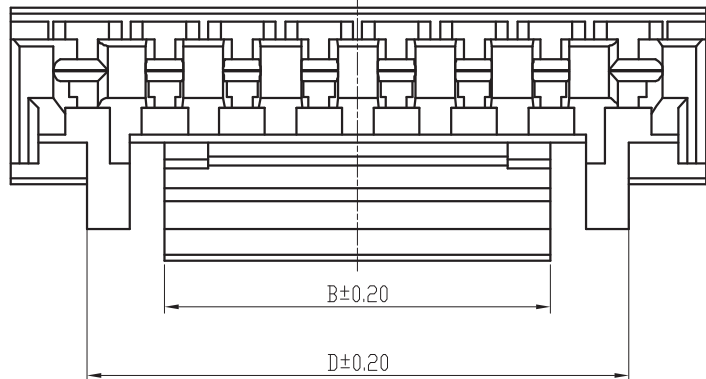
技术要求Specification:

- 1、材质Material: PA66 UL94V-0;
- 2、额定电流 Current rating:1.0A AC,DC
- 3、额定电压 Voltage rating: 50V AC,DC
- 4、温度范围 Temperature range:-25℃to+85℃
- 5、接触电阻 Contact resistance:≤30mΩ
- 6、绝缘电阻 Insulation resistance:≥100MΩ
- 7、耐压 Withstand voltage:500V AC/minute
- 8、塑件表面平整光洁, 无明显的毛刺、气泡、变形、浇口拉伤、缺料等不良现象。

Plastic surface smooth and clean, no obvious burrs, bubbles, distortion, gate strain, lack of material and other undesirable phenomena.



| 线数 | 型号          | 尺寸    |      |       |       |
|----|-------------|-------|------|-------|-------|
|    |             | A     | B    | C     | D     |
| 2  | SH12512-2Y  | 1.25  | 2.00 | 3.75  | ---   |
| 3  | SH12512-3Y  | 2.50  | 3.20 | 5.00  | ---   |
| 4  | SH12512-4Y  | 3.75  | 4.30 | 6.25  | ---   |
| 5  | SH12512-5Y  | 5.00  | 4.30 | 7.50  | 6.25  |
| 6  | SH12512-6Y  | 6.25  | 6.25 | 8.75  | 8.75  |
| 7  | SH12512-7Y  | 7.50  | 6.25 | 10.00 | 8.75  |
| 8  | SH12512-8Y  | 8.75  | 6.25 | 11.25 | 8.75  |
| 9  | SH12512-9Y  | 10.00 | 6.25 | 12.50 | 8.75  |
| 10 | SH12512-10Y | 11.25 | 8.30 | 13.75 | 10.70 |
|    | SH12512-11Y | 12.50 | 8.30 | 15.00 | 10.70 |
|    | SH12512-12Y | 13.75 | 8.30 | 16.25 | 10.70 |
|    | SH12512-13Y | 15.00 | 8.30 | 17.50 | 10.70 |
|    | SH12512-14Y | 16.25 | 8.30 | 18.75 | 10.70 |
|    | SH12512-15Y | 17.50 | 8.30 | 20.00 | 10.70 |
|    | SH12512-16Y | 18.75 | 8.30 | 21.25 | ---   |



|                     |         |                    |                              |       |                |    |     |
|---------------------|---------|--------------------|------------------------------|-------|----------------|----|-----|
| OTHERWISE SPECIFIED |         | ☞: Inspection Item |                              |       |                |    |     |
| .X±0.30             | X.° ±1° | (NO.)              | :Cp/Cpk and SPC Control Item |       |                |    |     |
| .XX±0.20            | .X° ±   | 材料                 | PA66                         | 名称    | GH1.25胶壳-2Pin  |    |     |
| .XXX±0.10           | .XX° ±  | 料厚                 |                              | 编号    | ZX-GH1.25-2PJK | 单位 | mm  |
| 制图                  |         | 料宽                 |                              | 比例    | 1:1            | 版本 | A   |
| 审核                  |         | 日期                 |                              | 角法    |                |    | 规格书 |
| 批准                  |         | DATE               |                              | PROJ. |                |    |     |