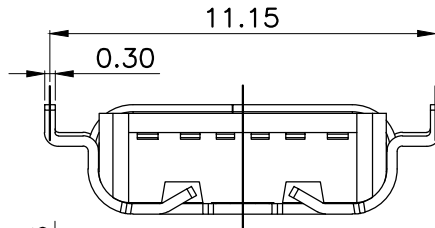
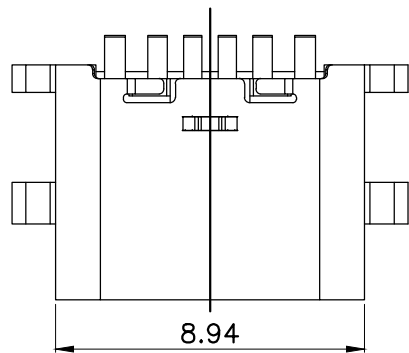
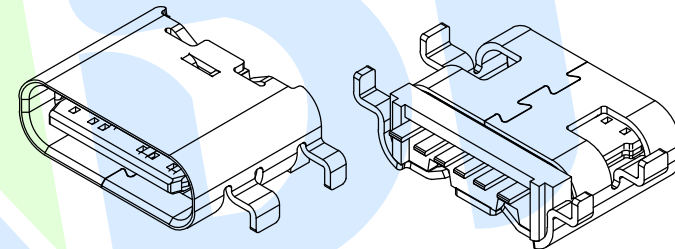


RoHS



PIN ASSIGNMENTS

A5	CC1	B12	GND
A9	VBUS	B9	VBUS
A12	GND	B5	CC2
PIN	SIGNAL NAME	PIN	SIGNAL NAME



1. SPECIFICATION,

- 1-1. INSERTION FORCE: 0.5~2.0kgf.
- 1-2. REMOVAL FORCE: 0.8kgf~2.0kgf.
- 1-3. DURABILITY: 10000 CYCLES.

2. ELECTRICAL PERFORMANCE,

- 2-1. CURRENT RATING: 5.0A  
VOLTAGE RATING: 20V
- 2-2. LLCR:  
VBUS & GND PINS AND OTHER PINS: 40mΩ/PIN MAX.  
SHIELD: 50mΩ/MAX.  
LLCR MAX. CHANGE OF ALL PINS: 10mΩ.
- 2-3. INSULATION RESISTANCE: 100MΩ MIN
- 2-4. DIELECTRIC WITHSTAND VOLTAGE, AC 100V FOR 1 MINUTE.

3. ENVIRONMENTAL PERFORMANCE:

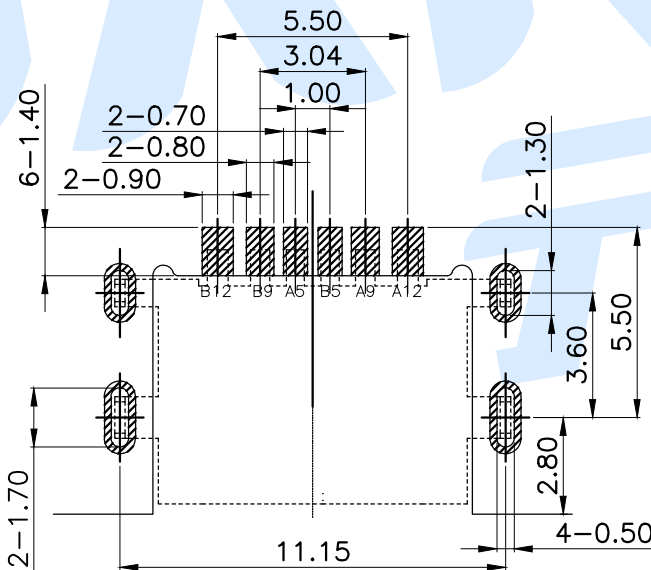
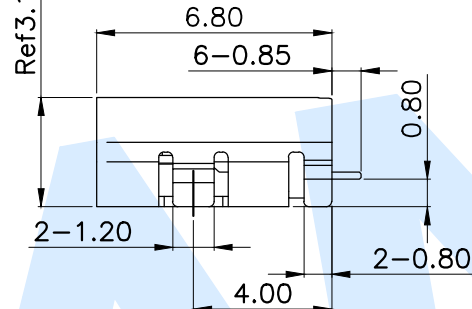
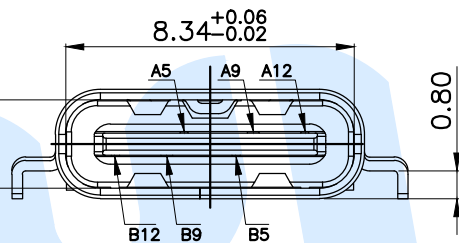
- OPERATING TEMPERATURE: -30°C~+80°C.
- 4. IR REFLOW:  
THE PEAK TEMPERATURE ON THE BOARD SHALL BE MAINTAINED FOR 10 SECONDS AT 260°C.

Ⓒ	Terminal		6	Phosphor bronze	Au Plating
Ⓑ	Shell		1	Stainless Steel	Ni Plating
Ⓐ	Base		1	LCP	Black
NO.	Name	Number	Qty	Material	Remarks

**YUANDI®** Yuandi Electronics Co, Ltd

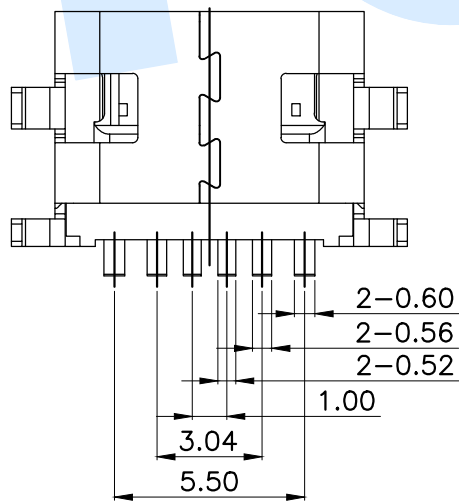
design	date	name	USB CONNECTOR
Review	date	model	TYPE-606-0.8-T3-5A
Approved	date		

Drawing number: Proportion 1:1 unit mm gage number A4



RECOMMEND P.C.B LAYOUT (COMPONENT SIDE)

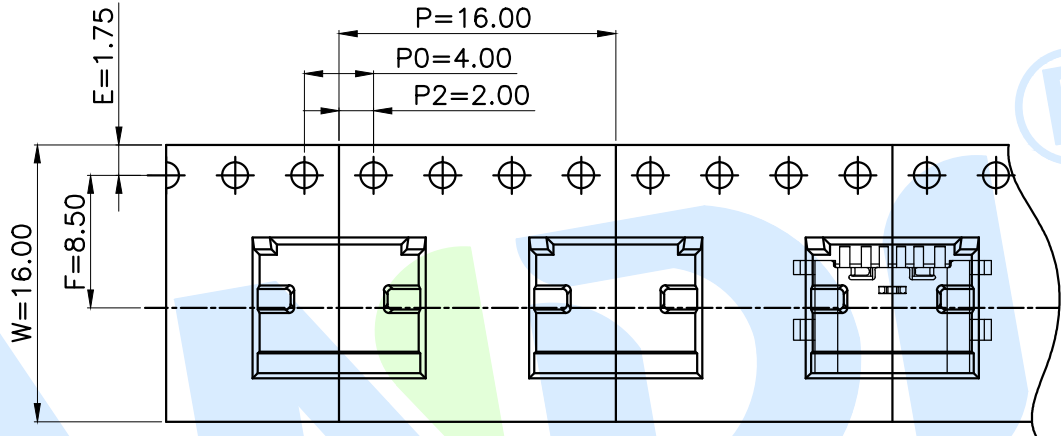
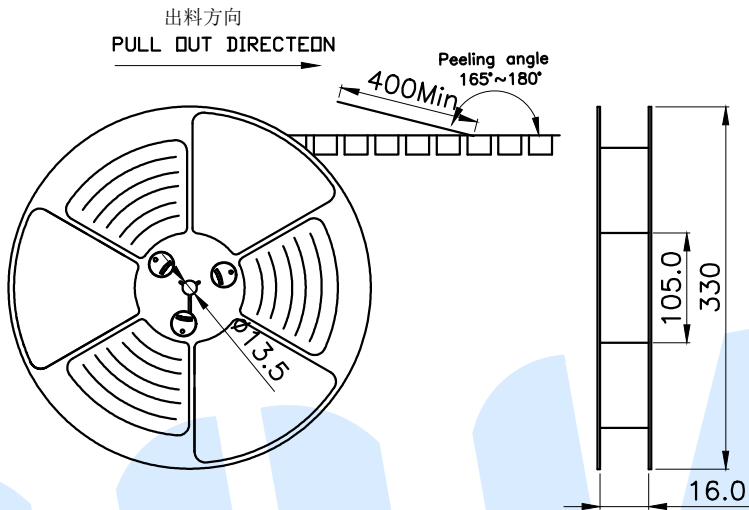
TOLERANCE FOR PCB LAYOUT IS ± 0.05



angle	±2'
10~30	±0.30
5~10	±0.20
~ 5	±0.10

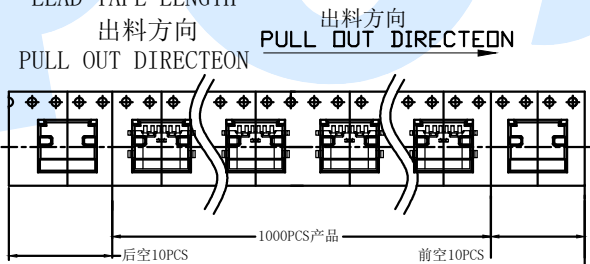
modify Review Approved Tolerance not specified

RoHS



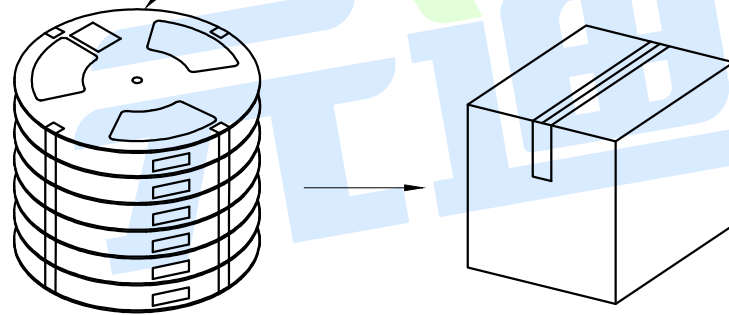
NOTES

1. 帶子引導長度  
LEAD TAPE LENGTH  
出料方向  
PULL OUT DIRECTEON



2. 上帶 剝力力為: 0.1~1.3N(10.2gf~130gf)  
PEELING OFF FORCE OF TOP TAPE:0.1~1.3N(10.2gf~130gf)  
出貨' 運輸過程中一定注意:  
THIS REQUIREMENT SHOULD BE APPLIED AT SHIPMENT:  
卷帶在運輸過程中不能散開  
PEELING OFF SHOULD NOT BE ALLOWED DURING TRANSPORTATION

1 REEL= 1000 PCS



YUANDI® Yuandi Electronics Co, Ltd

design	date	name	USB CONNECTOR
Review	date	model	TYPE-606-0.8-T3-5A
Approved	date		

Drawing number: Proportion 1:1 unit mm gage number A4

modify Review Approved Tolerance not specified