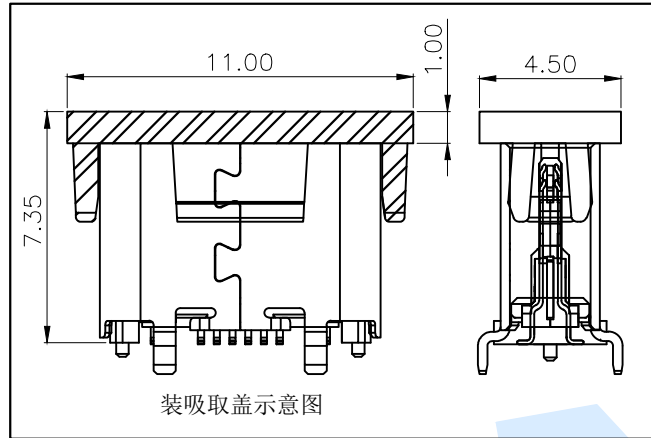
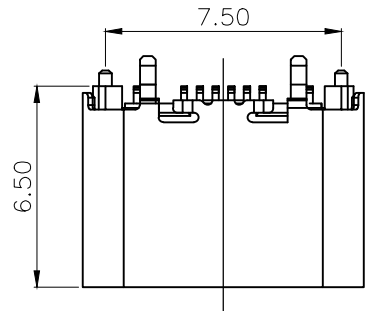
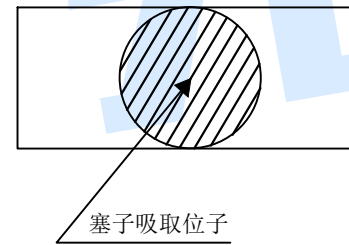
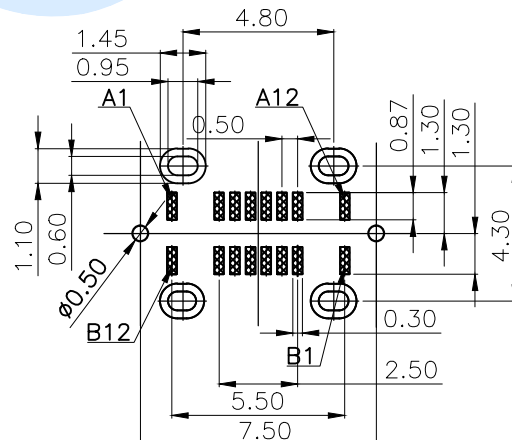
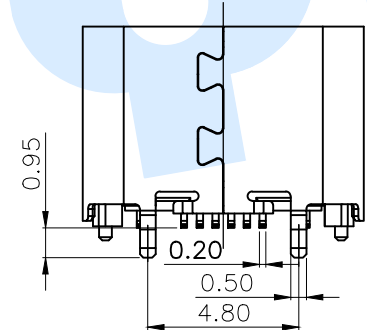
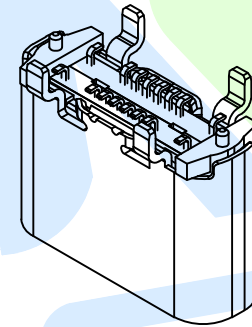
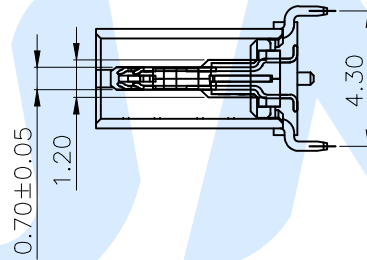
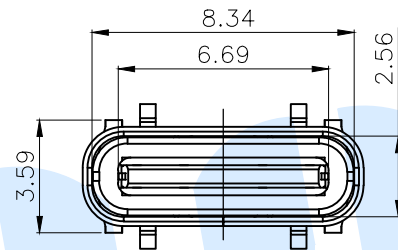


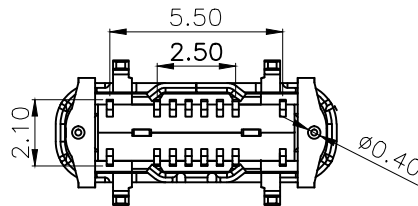
RoHS



A1	GND	B12	GND
A4	VBUS	B9	VBUS
A5	CC1	B8	SBU2
A6	DP1	B7	DN2
A7	DN1	B6	DP2
A8	SBU1	B5	CC2
A9	VBUS	B4	VBUS
A12	GND	B1	GND
PIN	SIGNAL NAME	PIN	SIGNAL NAME



- SPECIFICATION,
 - INSERTION FORCE: 5-20N
 - REMOVAL FORCE: 6-20N
 - DURABILITY: 10000 CYCLES.
- ELECTRICAL PERFORMANCE,
 - CURRENT RATING: 5.0A MAX. VOLTAGE RATING: 20V MAX.
 - LLCR:
 - VBUS & GND PINS AND OTHER PINS: 40mΩ/PIN MAX. SHIELD: 50mΩ/MAX. LLCR MAX. CHANGE OF ALL PINS: 10mΩ.
 - INSULATION RESISTANCE: 100MΩ MIN
 - DIELECTRIC WITHSTAND VOLTAGE, AC 100V FOR 1 MINUTE.
- ENVIRONMENTAL PERFORMANCE:
 - OPERATING TEMPERATURE: -30°C~+80°C.
- IR REFLOW:
 - THE PEAK TEMPERATURE ON THE BOARD SHALL BE MAINTAINED FOR 10 SECONDS AT 260°C.



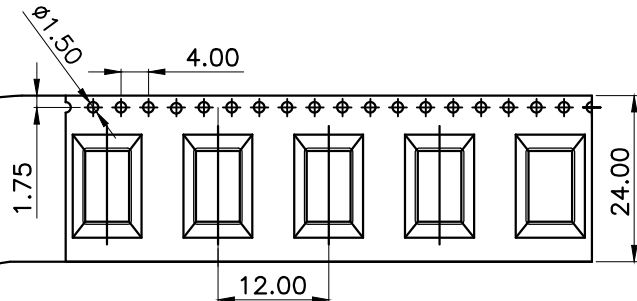
RECOMMENDED P.C.B. LAYOUT
TOLERANCE UNSPECIFIED ±0.05mm

Ⓒ	Terminal		16	Phosphor bronze	Au Plating
Ⓑ	Shell		1	Stainless Steel	Ni Plating
Ⓐ	Base		1	LCP	Black
NO.	Name	Number	Qty	Material	Remarks

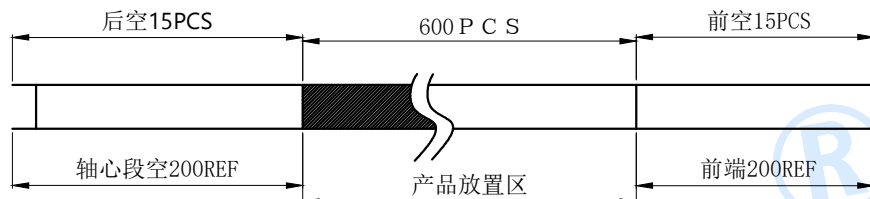
YUANDI® Yuandi Electronics Co, Ltd
元典

design	date	name	USB CONNECTOR
Review	date	model	TYPE-609-6.5-T3-5A
Approved	date		

RoHS



包装示意图:



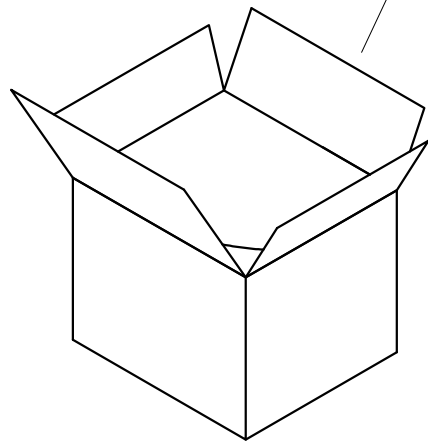
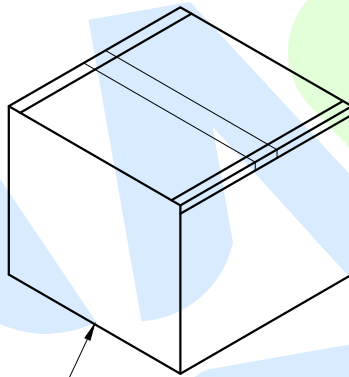
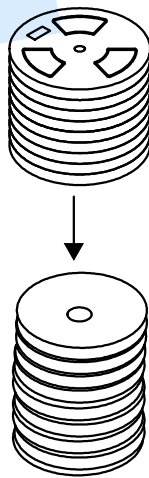
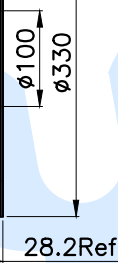
客户拉出方向

自粘上带(上带剥离力0.2-1.2N)

前端

产品内标签

产品标签格式(所有包装格式一致,只需更改数量即可)



备注:

1. 把上下载带送入载带机进行调整,然后将产品按照指定的方式摆入下载带中,开动卷带机进行卷装(每卷包600PCS);
2. 在卷装OK的每卷盘面的指定位置上贴上物料;
3. 纸箱用封箱带将其封好,胶带要求工字型,不可遮住标签;
4. 如果客户对包装标签另有要求,请按客户要求作业;有未满足之零数箱需用缓冲材料填充;
5. 上载带剥离力:0.2-1.2N.;

YUANDI® Yuandi Electronics Co, Ltd

design	date	name	USB CONNECTOR
Review	date	model	TYPE-609-6.5-T3-5A
Approved	date		

Drawing number: Proportion 1:1 unit mm gage number A4

modify Review Approved Tolerance not specified