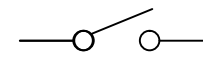
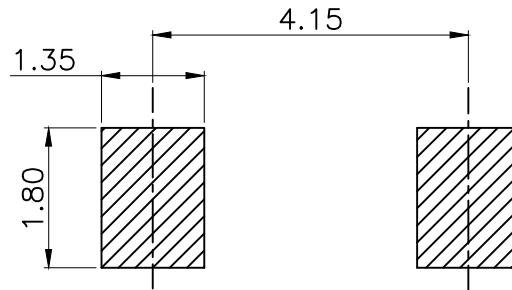
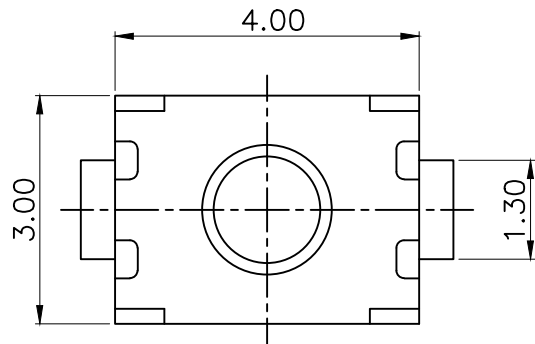
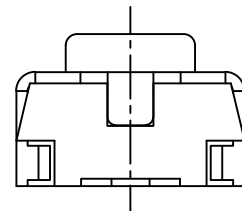
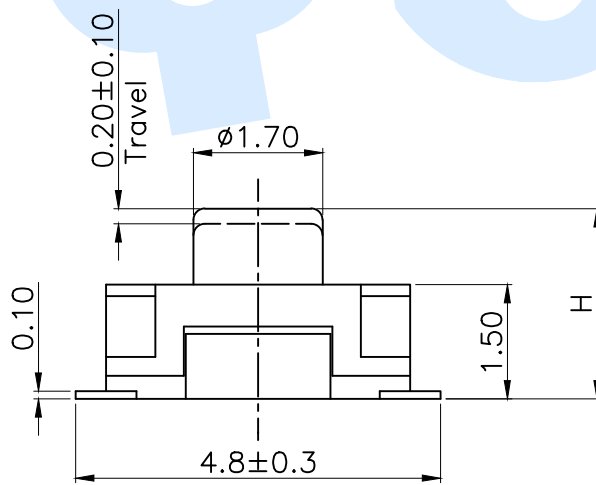
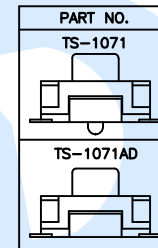


RoHS



Circuit Diagram

PCB Layout(Pattern side)



TOTAL HEIGHT	
CODE	H
A1	2.0
A2	2.5
A3	3.0
A4	3.5
A5	4.0
A6	5.0

OPERATING FORCE	
CODE	VIGOR
B2	180±30gf
B3	250±30gf

SHRAPNEL	
CODE	MATERIAL/QTY
D2	SUS/1PCS
D4	SUS/2PCS

Ⓕ	Dust film	1	Polyimide tape		
Ⓔ	Terminal	2	Phosphorus bronze	Silvering	
Ⓗ	Reed	2	SUS	Silver Covered	
Ⓒ	Button	1	LCP	Black	
Ⓑ	Cover	1	SUS	Natural	
Ⓐ	Base	1	LCP	Black	
NO.	Name	Number	Qty	Materil	Remarks

YUANDI® Yuandi Electronics Co, Ltd

design	date	name	TACT SWITCHS
Review	date	model	TS-1071AD-A□B□-D□
Approved	date		