

GENERAL DESCRIPTION

OB3639B is an offline LED lighting controller with high power factor, low THD and high constant current (CC) precision. It can achieve low system cost for isolated lighting application by primary side control in a single stage converter. It significantly simplifies the LED lighting system design by eliminating the secondary side feedback components and the opto-coupler.

The proprietary CC control is used and the system can achieve high power factor with constant on-time control. Quasi-resonant (QR) operation and clamping frequency greatly improves system efficiency. The advanced start up technology is used to fast start up. The constant output current is compensated for tolerance of transformer inductance variation. And the line compensation and load compensation are built in OB3639B for high precisely constant output current control.

OB3639B offers comprehensive protection coverage with auto-recovery features including programmable line voltage foldback, programmable line voltage OVP, NTC thermistor thermal foldback, LED open loop protection, LED short circuit protection, cycle-by-cycle current limiting, built-in leading edge blanking, VDD under voltage lockout (UVLO), etc.

OB3639B is offered in SOP-8 package.

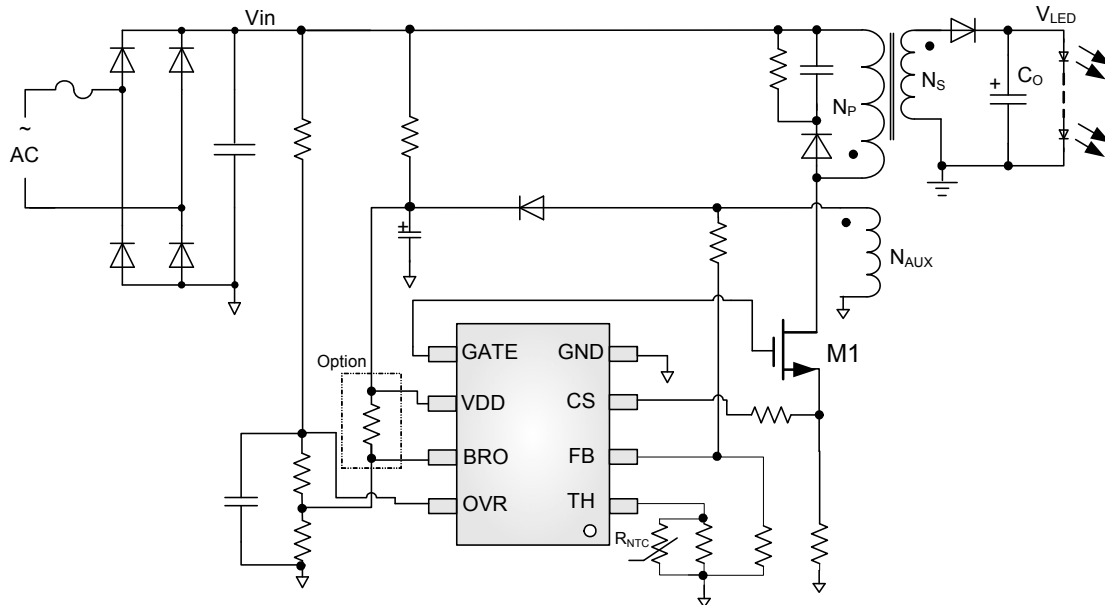
FEATURES

- Fast start up
- High PF (>0.9)
- Low THD (<10%)
- Programmable line voltage foldback
- Programmable line voltage OVP
- NTC thermistor thermal foldback
- High precision constant current
- Low system cost and high efficiency
- Quasi-resonant operation
- Programmable CC regulation
- Built-in line/load compensation
- LED short circuit protection
- LED open loop protection
- Cycle-by-cycle current limiting
- VDD over voltage protection

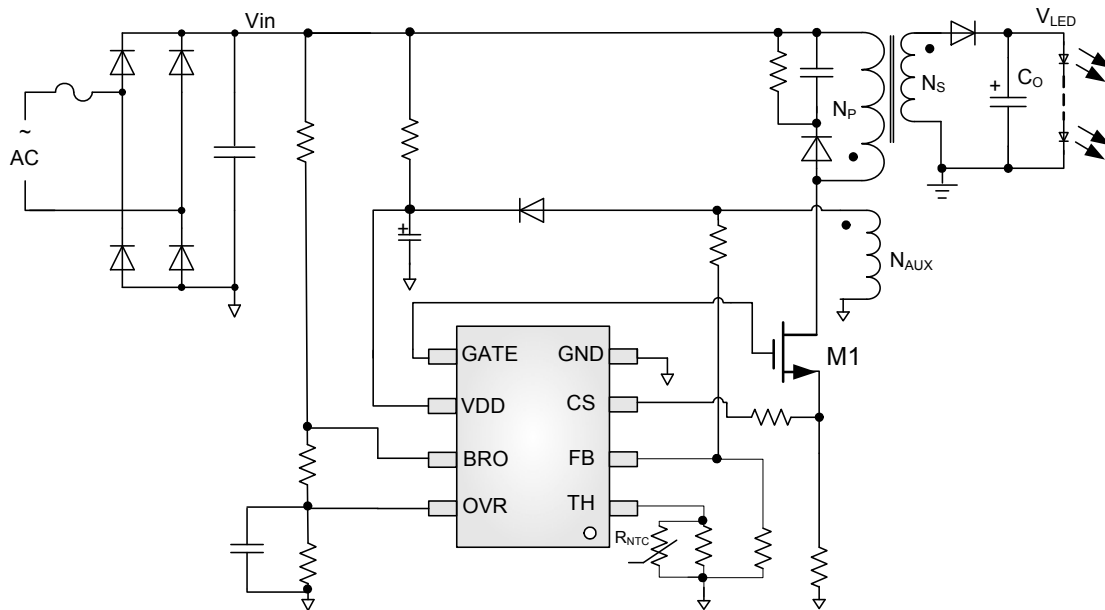
APPLICATIONS

- LED lighting

TYPICAL APPLICATION



Typical Application 1: $V_{in_ovr_min}/V_{in_bro} \leq 3.4$

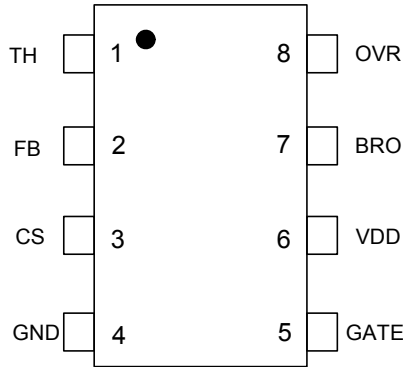


Typical Application 2: $V_{in_ovr_min}/V_{in_bro} \geq 3.4$

GENERAL INFORMATION

Pin Configuration

The pin map is shown as below for SOP8.



Ordering Information

Part Number	Description
OB3639BCP	SOP8, Halogen-free in Tube
OB3639BCPA	SOP8, Halogen-free in T&R

Note: All Devices are offered in Halogen-free Package if not otherwise noted.

Package Dissipation Rating

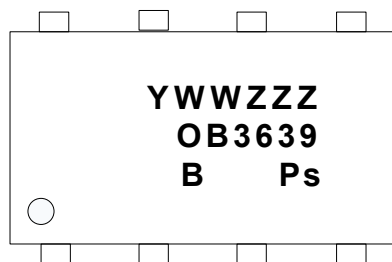
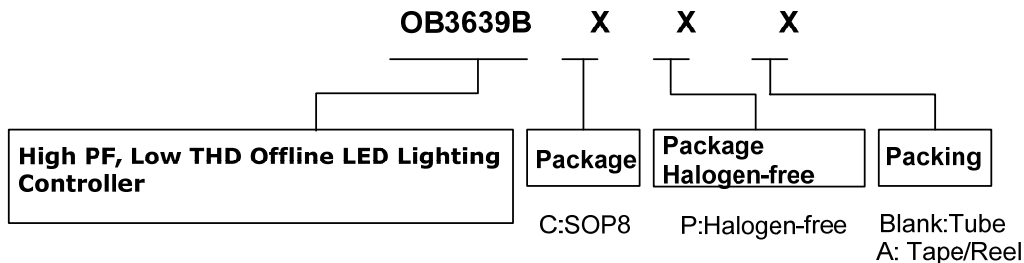
Package	R θ JA (°C/W)
SOP8	150

Absolute Maximum Ratings

Parameter	Value
VDD Voltage	-0.3 to 40V
Gate Voltage	-0.3 to 40V
CS Input Voltage	-0.3 to 7V
FB Input Voltage	-0.3 to 7V
TH Voltage	-0.3 to 7V
BRO Input Voltage	-0.3 to 7V
OVR Input Voltage	-0.3 to 7V
Min/Max Operating Junction Temperature T _J	-40 to 150 °C
Min/Max Storage Temperature T _{stg}	-55 to 150 °C
Lead Temperature (Soldering, 10secs)	260 °C

Note: Stresses beyond those listed under "absolute maximum ratings" may cause permanent damage to the device. These are stress ratings only, functional operation of the device at these or any other conditions beyond those indicated under "recommended operating conditions" is not implied. Exposure to absolute maximum-rated conditions for extended periods may affect device reliability.

Marking Information

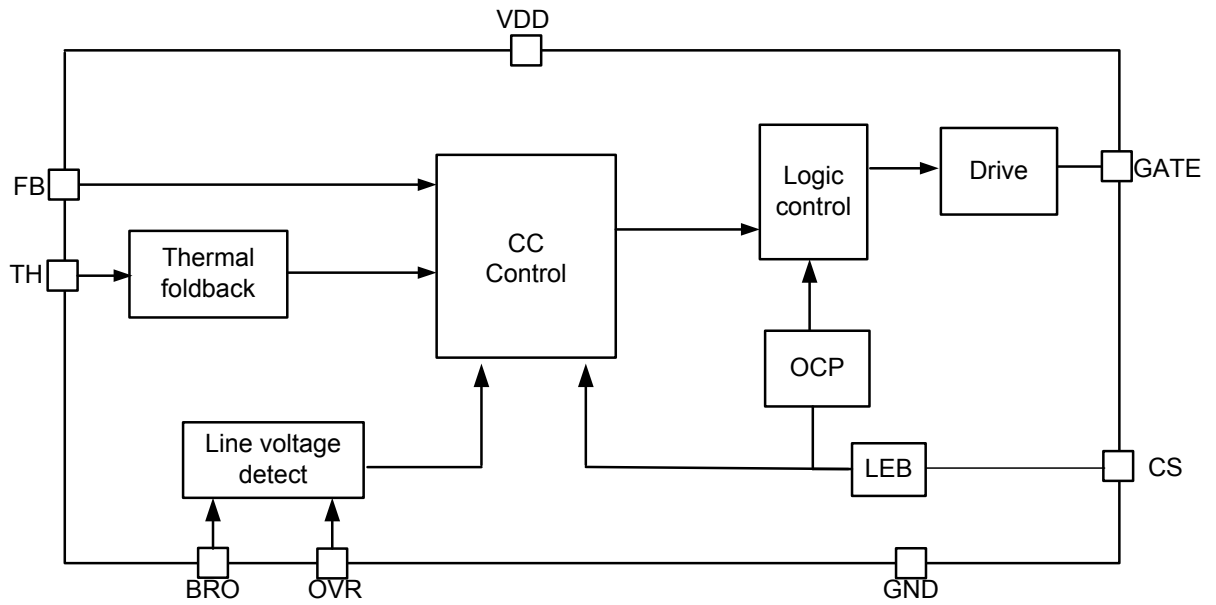


Y: Year Code
 WW: Week Code (01-52)
 ZZZ:Lot Code
 P:Halogen-free Package
 B:Character Code
 S: Internal Code(Optional)

TERMINAL ASSIGNMENTS

Pin Num	Pin Name	I/O	Description
1	TH	O	NTC thermistor thermal foldback. Connected NTC thermistor to Ground.
2	FB	I	Voltage feedback from auxiliary winding. Connected to resistor divider from auxiliary winding reflecting output voltage.
3	CS	I	Current sensing terminal.
4	GND	P	Power Ground.
5	GATE	O	Gate driver output for power MOSFET.
6	VDD	P	Power supply Input.
7	BRO	I	Programmable line voltage foldback
8	OVR	I	Programmable line voltage OVP

BLOCK DIAGRAM

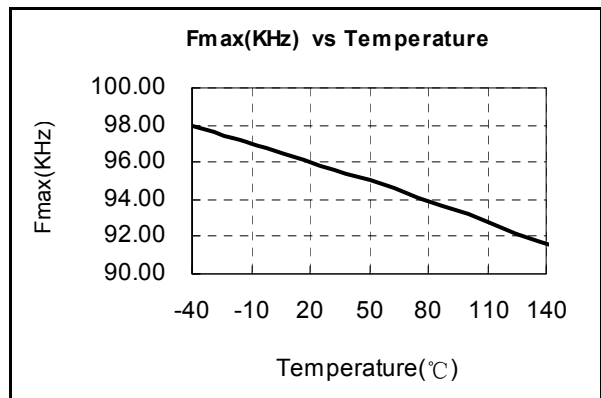
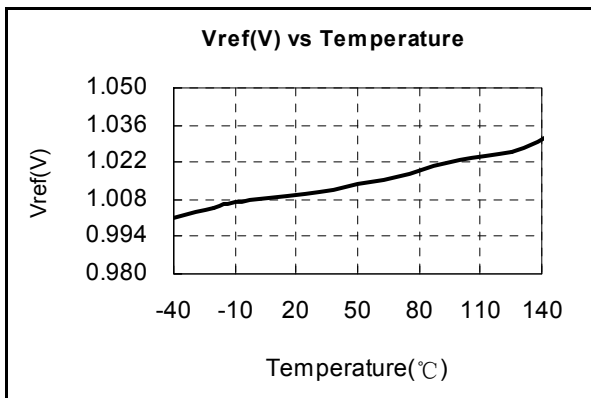
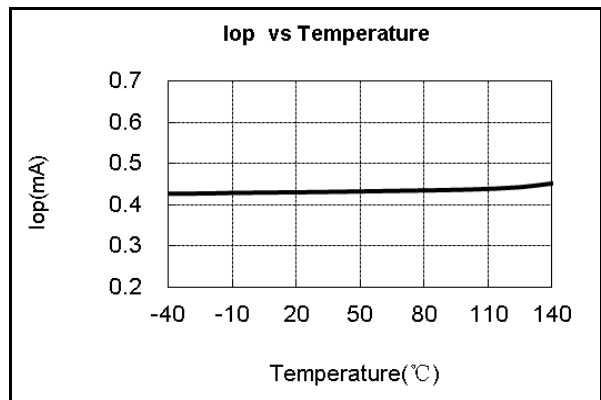
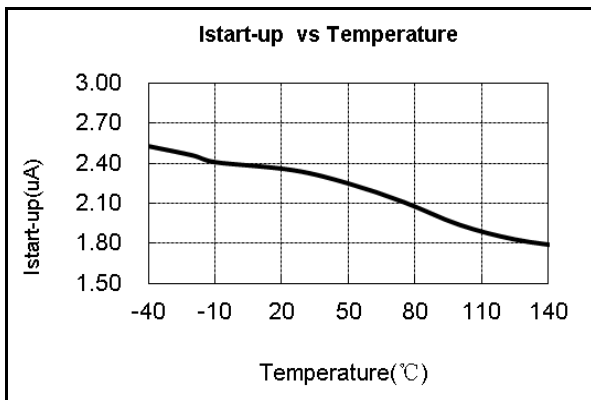
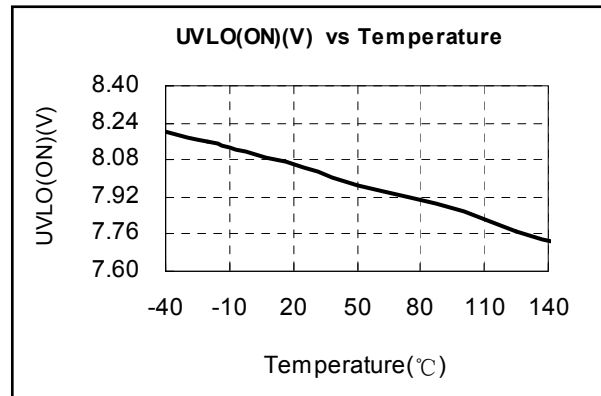
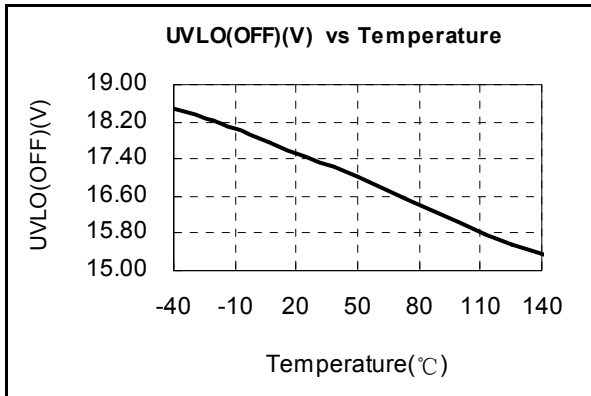


ELECTRICAL CHARACTERISTICS

(TA = 25°C, VDD=20V, if not otherwise noted)

Symbol	Parameter	Test Conditions	Min	Typ.	Max	Unit
Supply Voltage (VDD) Section						
I _{start-up}	Start up current	VDD=UVLO(OFF)-1V		3	7	uA
I _{op}	Operation current	VDD=20V, no loading		0.4	0.6	mA
UVLO(OFF)	VDD under voltage lockout exit		16	18	20	V
UVLO(ON)	VDD under voltage lockout enter		7	8	9	V
VDD_clamp	VDD clamp	I _{VDD} =2mA	24	26	28	V
VDD_OVP	VDD Over Voltage Protection		25	27	29	V
Current Sense Input Section						
TLEB	Lead Edge Blanking time			0.4		us
V _{th_ocp}	Over Current Threshold	FB>0.45V	0.85	0.9	0.95	V
		FB<=0.45V		0.5		V
FB Input Section						
V _{out_ovp}	Output Over Voltage Protection		3.325	3.5	3.675	V
V _{out_scp}	Output Short Circuit Protection			0.45		V
I _{FB}	Maximum Sink current from FB				4	mA
QR Section						
F _{max}	Maximum Clamping Frequency			150		KHz
T _{off_max}	Maximum Off Time			70		us
T _{off_min}	Minimum Off Time	CS>0.15V		2		us
		CS<=0.15V		0.5		us
T _{on_max}	Maximum On Time			25		us
Error Amplifier Section						
V _{ref}	Error Amplifier Reference Voltage		0.196	0.200	0.204	V
Gate Driver Section						
V _{ol}	Output Low Level	I _{out} =10mA			1	V
V _{oh}	Output High Level	I _{out} =10mA	6			V
V _{clamp}	Output Clamping Voltage			12		V
T _r	Rising Edge Time	CL=1nF, VDD=16V		80	150	ns
T _f	Falling Edge Time	CL=1nF, VDD=16V		30	70	ns
Thermal Foldback Section						
R _{th_full}	Resistance of TH pin to GND at 100% current			29		KΩ
R _{th_half}	Resistance of TH pin to GND at 50% current			16		KΩ
Protection Reference Section						
V _{ref_vin_fb}	Threshold voltage of line voltage foldback			0.8		V
V _{ref_ovp}	Line voltage OVP threshold voltage		2.72	2.8	2.88	V
V _{ref_ovp_hy}	Hysteresis			150		mV

CHARACTERIZATION PLOTS



OPERATION DESCRIPTION

OB3639B is a primary-side-control and high power factor, low THD fly-back PWM controller specialized for LED lighting application. It operates in primary side sensing and regulation, thus opto-coupler and TL431 are not required. OB3639B works at Quasi-Resonant operation with maximum working frequency clamping, which can improve the efficiency of LED lighting system design.

Start up Control

The advanced start-up technology is used in OB3639B to meet the start-up time requirement (<0.5s). Low start-up current is designed in OB3639B so that VDD could be charged up above UVLO threshold with small charging current.

At the startup, OB3639B operates at open loop and over-current protection is set cycle-by-cycle until it senses the output voltage by FB pin up to about 1V. After that OB3639B operates in close loop and the transconductance of error amplifier is set to 1uS (typical).

LED Constant Current Regulation

The LED output current is equal to average of the output rectifier diode current. So the LED output current is related to the transformer peak current value and the transformer current discharge time. The transformer current discharge time is sensed through FB pin and the transformer peak current value is determined by internal reference voltage. A proprietary CC control block calculates the LED output current through the CS pin peak current value and the transformer current discharge time. The output of the calculation is compared with an internal precise reference to generate an error voltage, which determines the turn-on time in voltage mode control. The LED output current can be approximated as:

$$I_{LED} = \eta \cdot \frac{N}{2} \cdot \frac{V_{ref}}{R_{CS}}$$

η — The transformer coupling coefficient.

N — Turn ratio of primary side winding to secondary side winding.

R_{CS} — The sensing resistor connected between the MOSFET source and GND.

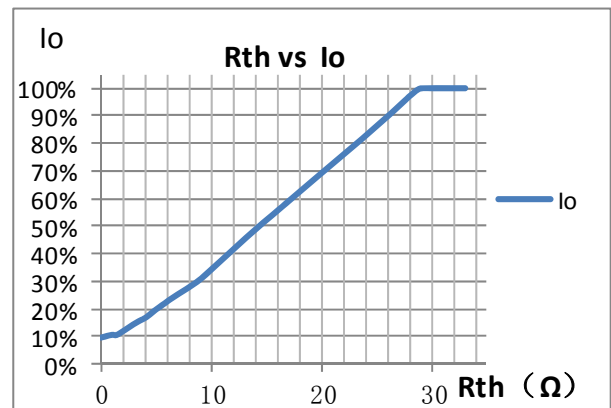
V_{ref} — Internal reference voltage.

PFC and THD

The duration of the turn on period t_{on} is generated and keeps constant by patented control method. In a fly-back topology, constant turn on time and quasi-resonant operation provide high power factor (PF) and low total harmonic distortion (THD).

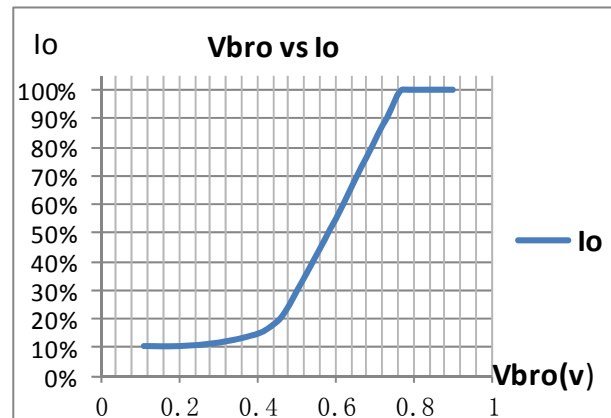
NTC thermistor thermal foldback

The TH pin is connected NTC thermistor to the GND. The thermal foldback is set to $R_{th}=29k\Omega$. When the NTC thermistor temperature continues to rise, the output current decreases as the NTC thermistor resistance decreases, while the minimum clamp of the output current is maintained at about 10%. The curve of NTC thermistor resistance and the output current is shown below:



Programmable line voltage foldback

Line voltage is detected by resistor divider from BRO pin. When the detected voltage from BRO pin is lower than 0.8V (typical), the output current will decrease as line voltage gets low. The V_{bro} and the output current is shown below:



Programmable line voltage OVP

Line voltage is also detected by the resistor divider from OVR pin. When the detected voltage from OVR is larger than 2.8V (typical), line voltage over voltage protection is triggered and the switching of system will stop.

Current Sensing and Leading Edge Blanking

Cycle-by-Cycle current limiting (OCP) is offered in OB3639B. The switching current is detected by a sense resistor connected between the CS pin and GND. An internal leading edge blanking circuit chops off the sense voltage spike at initial MOSFET on state due to snubber diode reverse recovery so that the external RC filter is no longer required. The current limit comparator is disabled during this blanking time and thus the external MOSFET cannot be turned off during this blanking time.

Quasi-Resonant Operation

OB3639B performs quasi-resonant detection through FB pin by monitoring the voltage activity on the auxiliary windings in series with external resistors. When the stored energy of fly-back transformer is fully released to the output, the voltage at FB pin decreases. When FB pin voltage falls below 0.05V (typical), an internal FB comparator is triggered and a new PWM switching cycle is initiated following the FB triggering.

Line/Load Compensation

OB3639B provides internal line compensation and load compensation to avoid using outside sensing devices. The compensated voltage is added to CS voltage cycle-by-cycle and LED output current is kept constant under different line voltage and output voltage.

VDD Over Voltage Protection

VDD is supplied with transformer auxiliary winding output. When VDD is higher than 27V (typical), VDD OVP protection is triggered and GATE is shut down, and the device enters power on startup sequence thereafter.

LED Short Circuit Protection

When LED string is short, the positive plateau of auxiliary winding voltage is also near zero and the FB voltage is low. If the voltage at FB pin is lower than a threshold of approximately 0.45V (typical), the IC will work at minimum frequency and the threshold voltage of OCP is reduced to 0.5V (typical). The power dissipation is greatly reduced in this way.

LED Open Circuit Protection

When the LED string open circuit happens, the positive plateau of auxiliary winding voltage increases and the FB pin voltage is high. If the voltage at FB pin is higher than a threshold of approximately 3.5V (typical), the IC will shut down and enter power on startup sequence thereafter.

Gate Driver

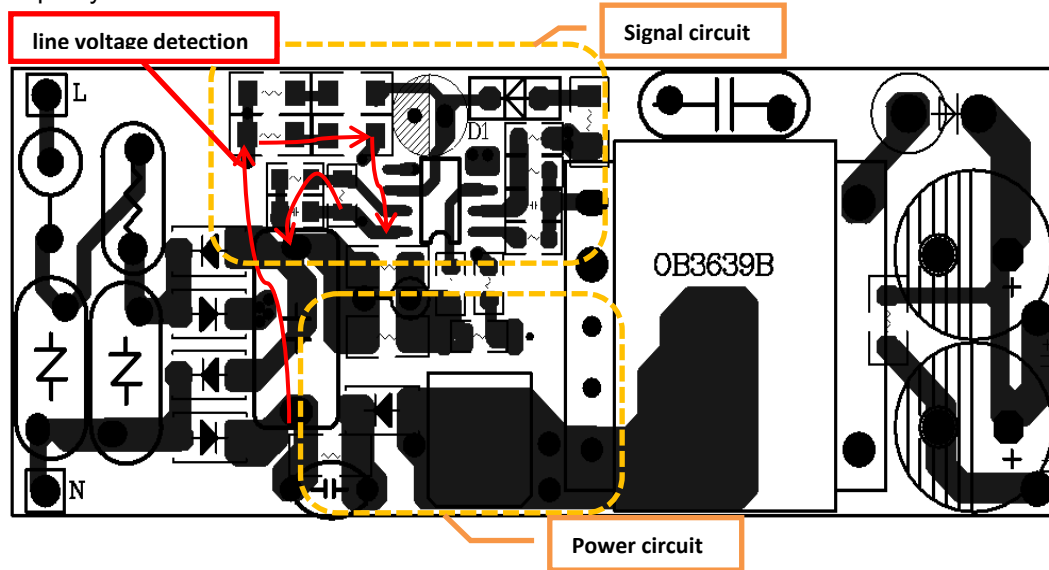
The GATE pin is connected to the gate of an external power switch. An internal 12V (typical) clamp is added for MOSFET gate protection at high VDD voltage. When VDD voltage drops below UVLO (ON), the GATE pin is internally pulled low to maintain the off state.

Layout Consideration

Careful attention must be paid to the PCB board layout and components placement. Using the following guidelines for good PCB layout:

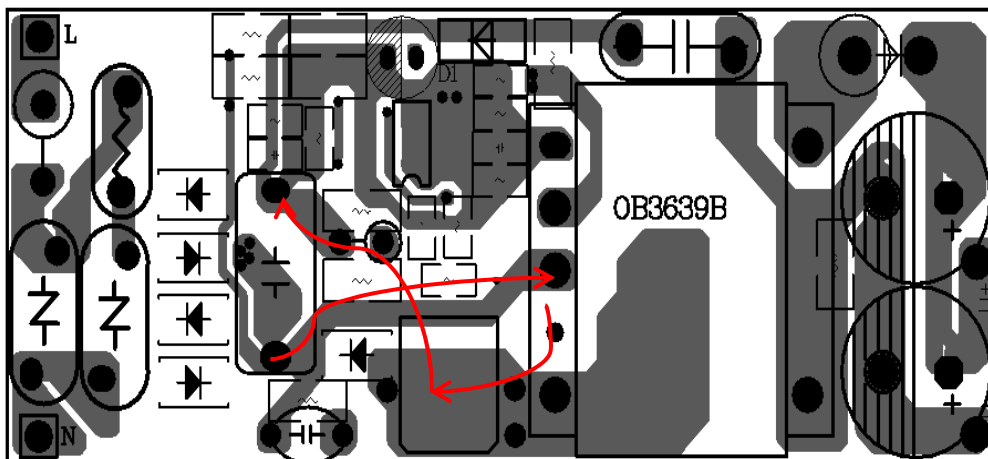
1) Signal circuit, avoid the high-frequency circuit, line voltage detection voltage resistor connected to the bulk capacitor pin. It is shown below:

Top Layer



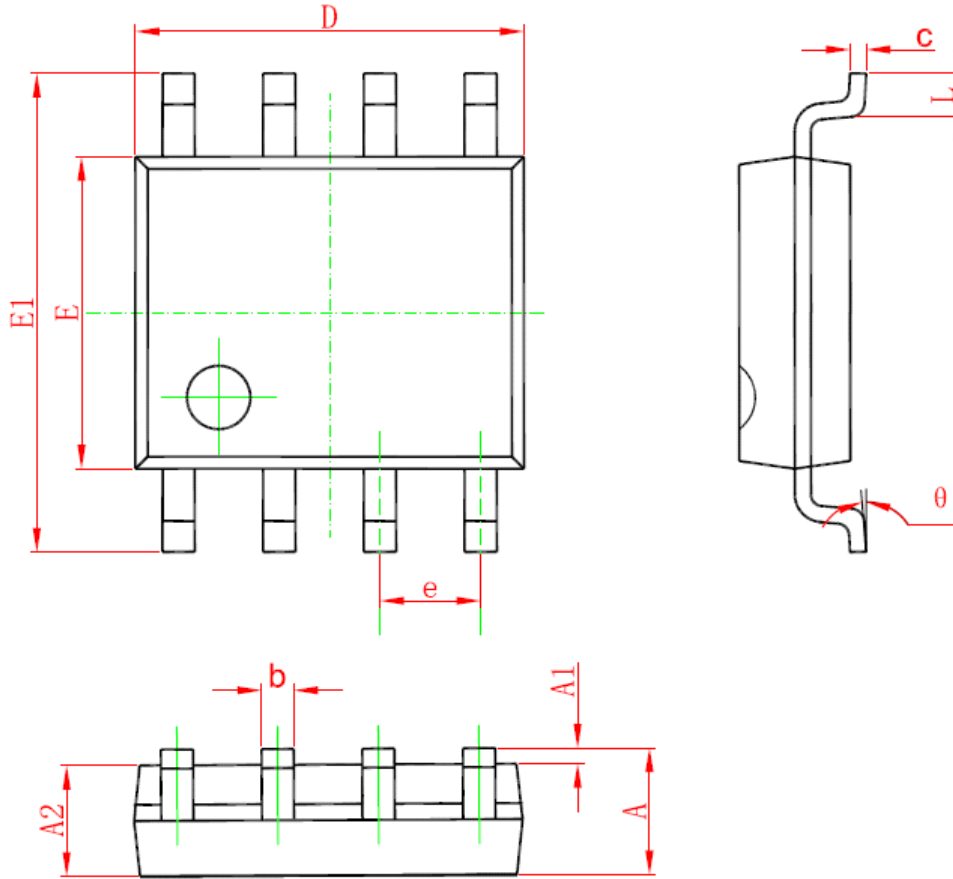
2) Power circuit area as small as possible, reduce high frequency noise. It is shown below:

Bottom Layer



PACKAGE MECHANICAL DATA

SOP8



Symbol	Dimensions In Millimeters		Dimensions In Inches	
	Min	Max	Min	Max
A	1.350	1.750	0.053	0.069
A1	0.050	0.250	0.002	0.010
A2	1.250	1.650	0.049	0.065
b	0.310	0.510	0.012	0.020
c	0.100	0.250	0.004	0.010
D	4.700	5.150	0.185	0.203
E	3.700	4.100	0.146	0.161
E1	5.800	6.200	0.228	0.244
e	1.270 (BSC)		0.050 (BSC)	
L	0.400	1.270	0.016	0.050
θ	0°	8°	0°	8°

IMPORTANT NOTICE

RIGHT TO MAKE CHANGES

On-Bright Electronics Corp. reserves the right to make corrections, modifications, enhancements, improvements and other changes to its products and services at any time and to discontinue any product or service without notice. Customers should obtain the latest relevant information before placing orders and should verify that such information is current and complete.

WARRANTY INFORMATION

On-Bright Electronics Corp. warrants performance of its hardware products to the specifications applicable at the time of sale in accordance with its standard warranty. Testing and other quality control techniques are used to the extent it deems necessary to support this warranty. Except where mandated by government requirements, testing of all parameters of each product is not necessarily performed.

On-Bright Electronics Corp. assumes no liability for application assistance or customer product design. Customers are responsible for their products and applications using On-Bright's components, data sheet and application notes. To minimize the risks associated with customer products and applications, customers should provide adequate design and operating safeguards.

LIFE SUPPORT

On-Bright Electronics Corp.'s products are not designed to be used as components in devices intended to support or sustain human life. On-bright Electronics Corp. will not be held liable for any damages or claims resulting from the use of its products in medical applications.

MILITARY

On-Bright Electronics Corp.'s products are not designed for use in military applications. On-Bright Electronics Corp. will not be held liable for any damages or claims resulting from the use of its products in military applications.