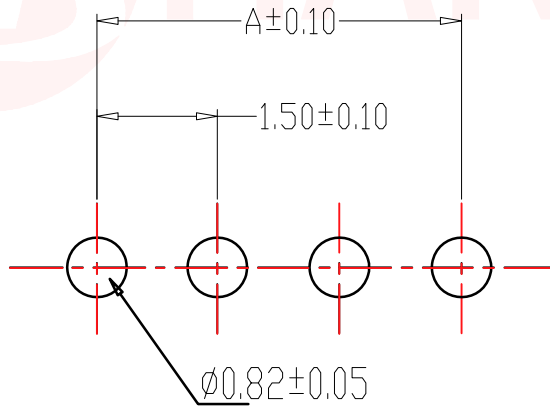
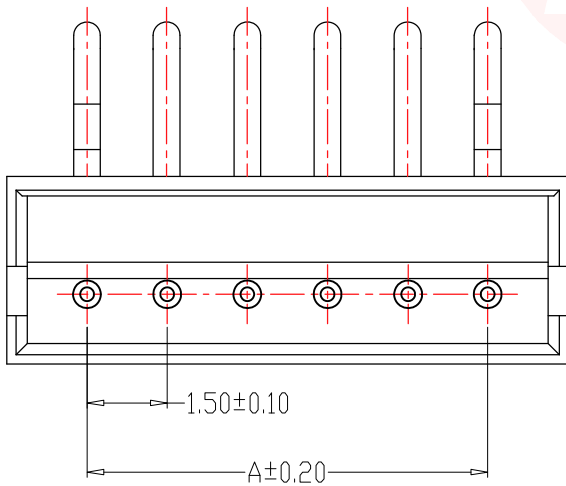
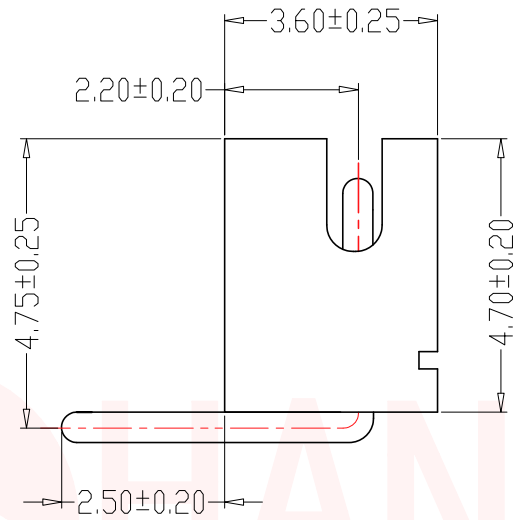
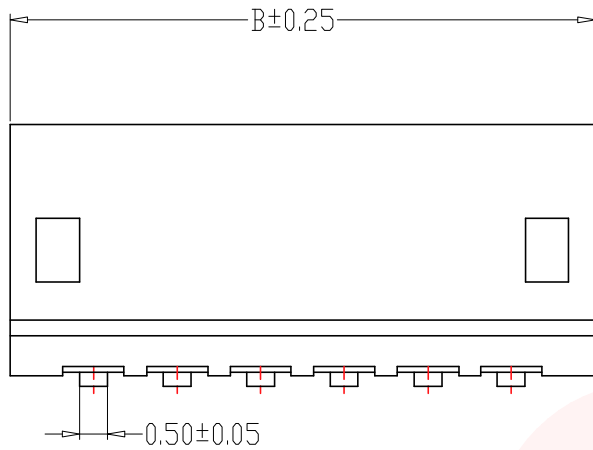




REV.	ECN NO OR DESCRIPTION	REVISED	DATE



## PCB LAYOUT

### SPECIFICATIONS

- 1、Current Rating: 1A AC, DC
- 2、Voltage Rating: 100V AC, DC
- 3、Temperatuer Range: -25°C ~ +85°C
- 4、Contact Resistance: 20mΩ Max
- 5、Insulation Resistance: 500MΩ Min
- 6、Withstanding Voltang: 500V AC/minute
- 7、Material: Wafer PBT/PA46 White/Beige, UL94V-0  
PIN Brass Tin-plated

### TABLE:

CSG PART NO.	Dimension mm		
	PIN	A	B
WAFER-ZH150WZ-2A	2P	1.50	4.50
WAFER-ZH150WZ-3A	3P	3.00	6.00
WAFER-ZH150WZ-4A	4P	4.50	7.50
WAFER-ZH150WZ-5A	5P	6.00	9.00
WAFER-ZH150WZ-6A	6P	7.50	10.50
WAFER-ZH150WZ-7A	7P	9.00	12.00
WAFER-ZH150WZ-8A	8P	10.50	13.50
WAFER-ZH150WZ-9A	9P	12.00	15.00
WAFER-ZH150WZ-10A	10P	13.50	16.50
WAFER-ZH150WZ-11A	11P	15.00	18.00
WAFER-ZH150WZ-12A	12P	16.50	19.50
WAFER-ZH150WZ-16A	16P	22.50	25.50
WAFER-ZH150WZ-20A	20P	28.50	31.50

UNLESS OTHERWISE SPECIFIED TOLERANCES

DECIMALS: ANGLES:  
 X :±0.25 X :±2°  
 X.X :±0.20 X.X :±1°  
 X.XX :±0.15



东莞市汉博电子科技有限公司  
 DONGGUAN HANBO TECHNOLOGY CO., LTD

TITLE	WAFER ZH 1.50MM 弯针 DIP TYPE		
DWN	xiong	PART NO. WAFER-ZH150WZ-NA	
CHKD	lee	SCALE:1:1	UNIT: mm
APVD	wang	SIZE: A4	SHEET:10F 1

CUSTOMER COPY

A  
B  
C  
D