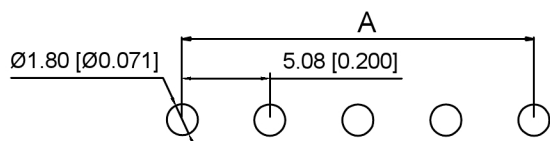
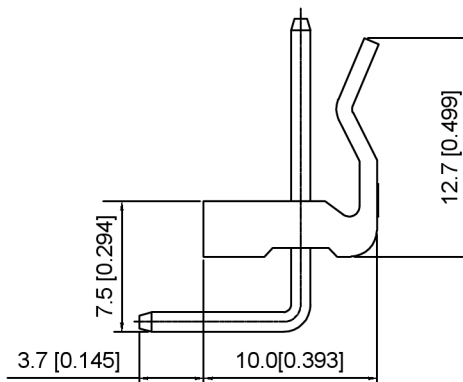
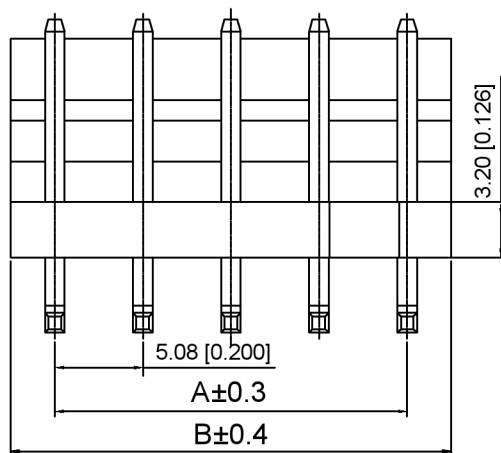


3D图示 (参考)



Specifications :

- 1.Voltage rating: 250V AC / DC
- 2.Current rating: 5A AC / DC
- 3.Withstanding voltage: 1500V AC/minute
- 4.Temperature range: -25°C~+85°C
- 5.Insulation resistance: ≥1000M Ω
- 6.Contact resistance: 0.02Ω Max
- 7.Material: Nylon 66
Contact Pin: Brass

X5080 W R -XX A- N0 SN
① ② ③ ④ ⑤ ⑥ ⑦

- ① Series No.
- ② Category : W-WAFER
- ③ Wedding Board Angle : R-Stright 90°
- ④ Row No.Pin No.XX-02-12
- ⑤ Special No.A-There are gaps
- ⑥ Material:N0-Nylon66 94V-0
- ⑦ Planting Category:SN-Bright tin plating

| PIN | A | B |
|-----|-------|-------|
| 2 | 5.08 | 10.16 |
| 3 | 10.16 | 15.24 |
| 4 | 15.24 | 20.32 |
| 5 | 20.32 | 25.40 |
| 6 | 25.40 | 30.48 |
| 7 | 30.48 | 35.56 |
| 8 | 35.56 | 40.64 |
| 9 | 40.64 | 45.72 |
| 10 | 45.72 | 50.80 |
| 11 | 50.80 | 55.88 |
| 12 | 55.88 | 60.96 |

| | | | | |
|------------------|------------------|---------------|------------|----------------------|
| X5080WR-XXA-N0SN | Nylon66 UL 94V-0 | Brass | Tin-Plated | X5080H |
| PART NO | Material | Material(Pin) | Finsh(Pin) | Suitable XKB Housing |

| | | |
|------|-------------|--|
| DSND | SCALE: N/A | MODEL TYPE: 5.08mm Crimp Style Connectors |
| DWN | VIEW: | PART NO.: X5080WR-XXA-N0SN |
| CHKD | UNIT: mm/in | DWG NO.: X-X5080WR-XXA-N0SN |
| APPD | SIZE: A4 | WEIGHT SHEET REVISION 1/1 A0 |

PCB安装尺寸图

广东星坤科技股份有限公司

| | |
|-------|-------------|
| 生数 | 日期 |
| 文件工程章 | DESCRIPTION |

REVISIONS

DATE REVISED APPROVED

UNSPECIFIED TOLERANCES

XKIB

XKB INDUSTRIAL PRECISION CO.,LIMITED