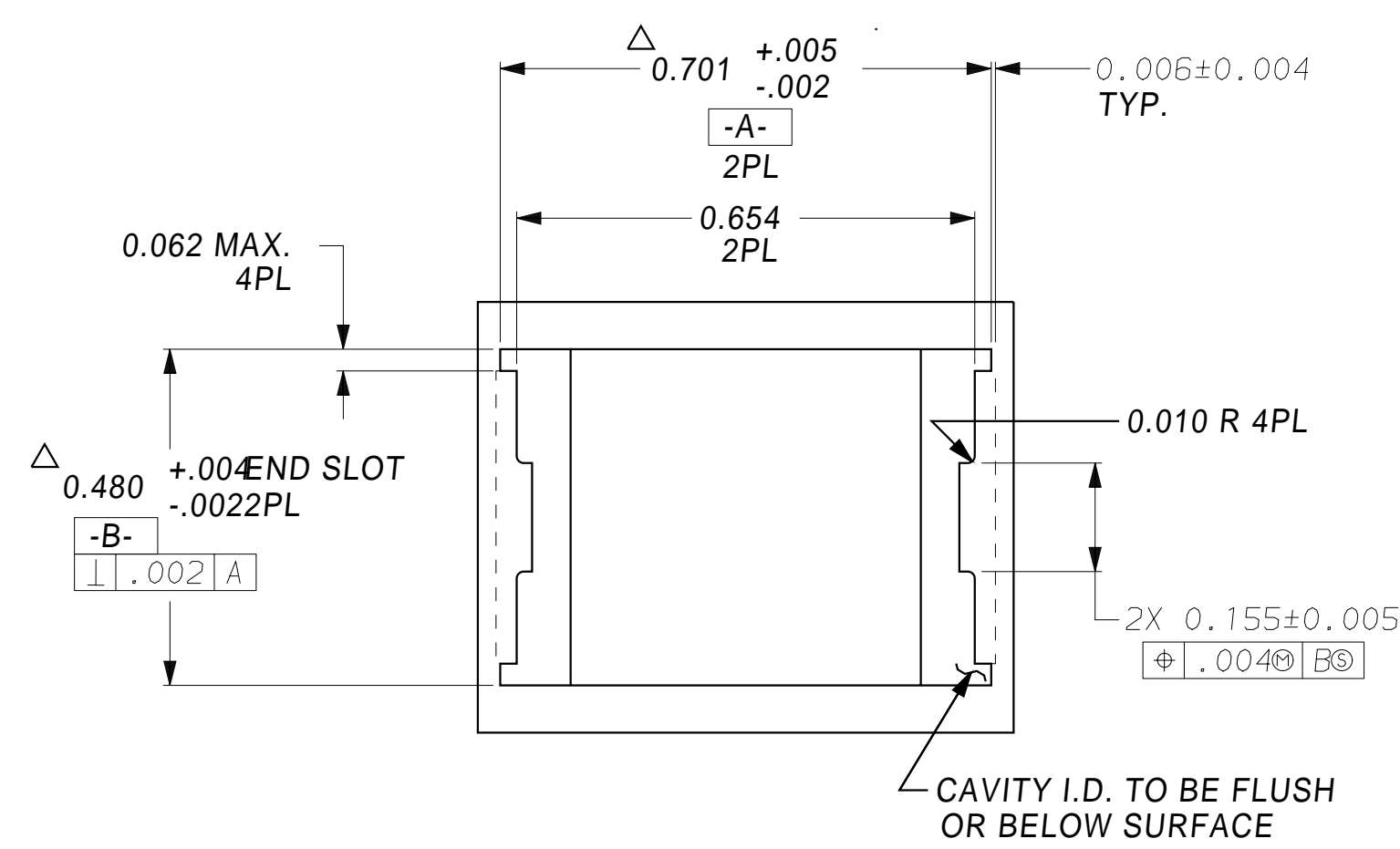
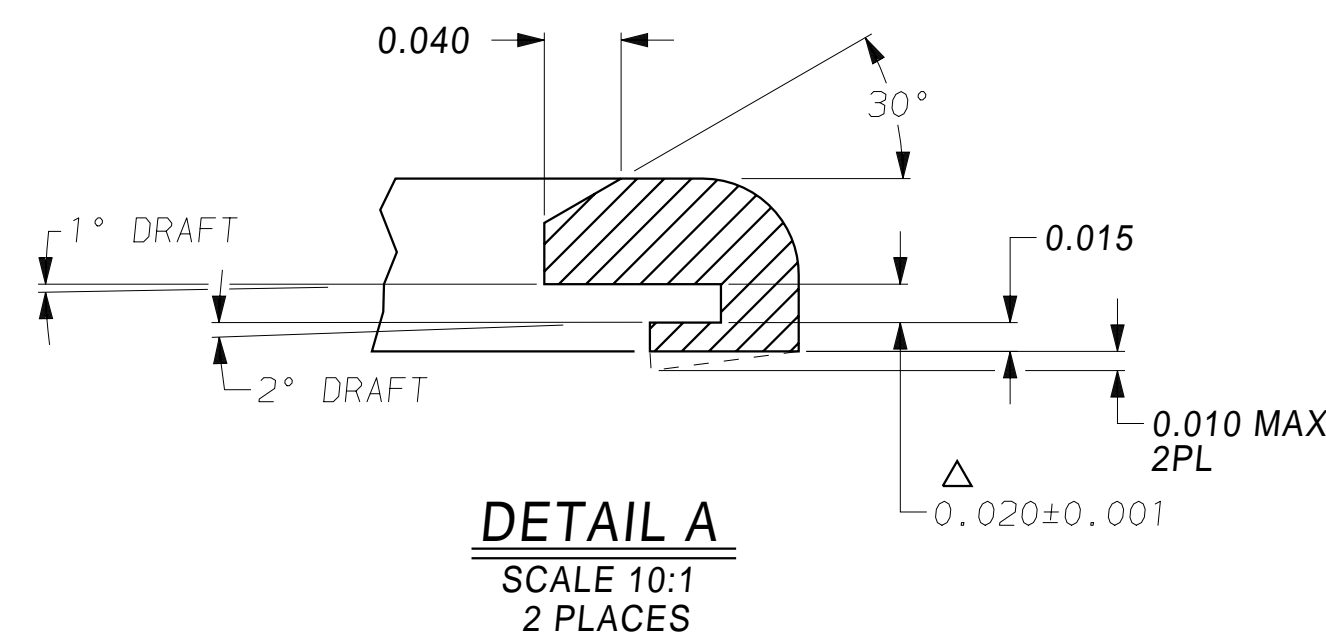
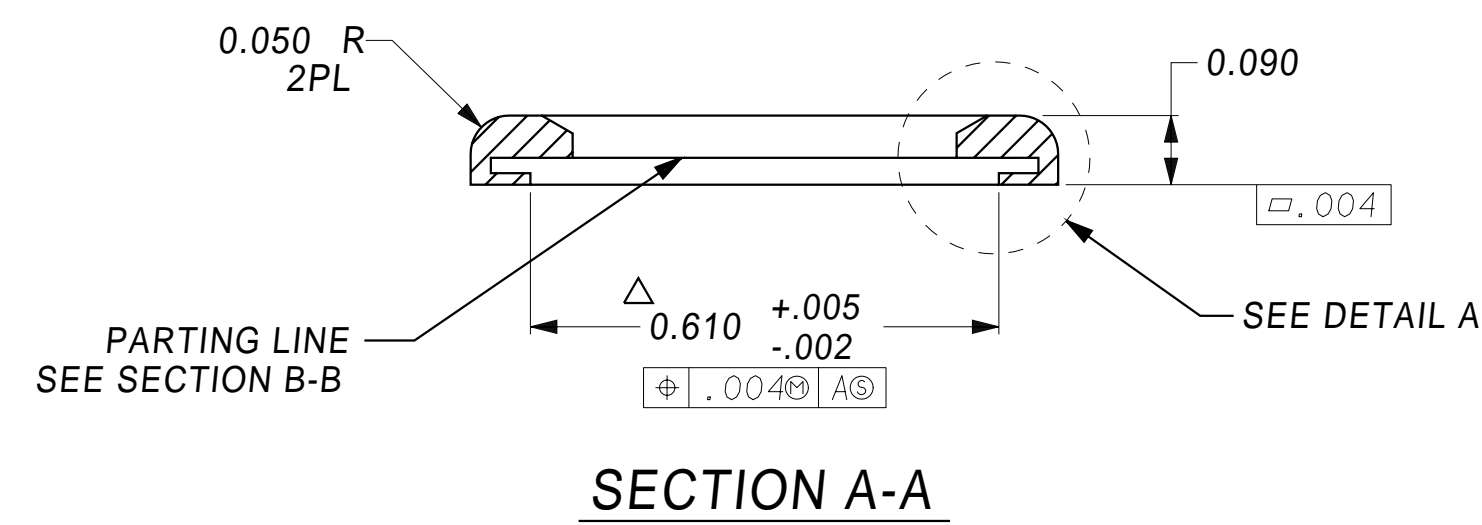
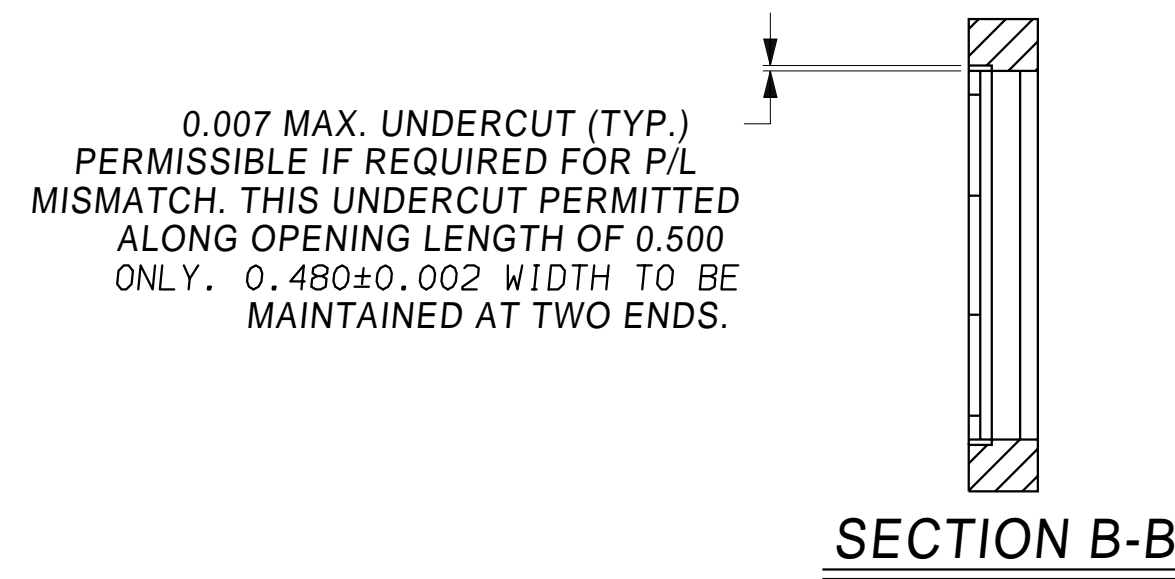
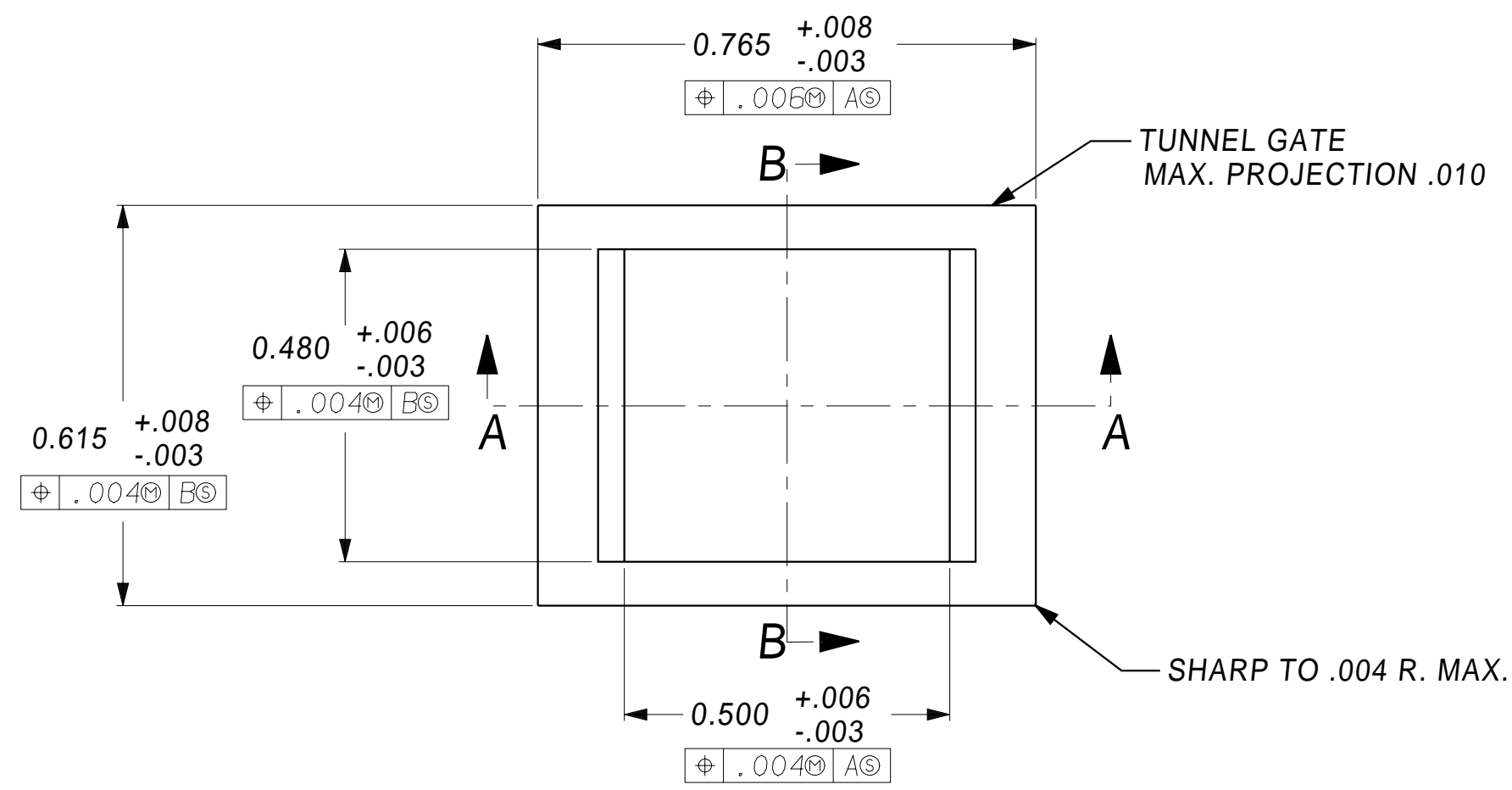


ECN HISTORY			
REV	ECN#	REV	ECN#
D	5342		
E	7349		
F	7500		
G	8645		

REVISIONS				6156	H
ECN	SYM	DESCRIPTION	DATE	APPROVAL	
0004684	H	MODIFIED NOTE 1, ADDED REGRIND TO CHART	5/11/09 CAB		



DASH NO.	COLOR	COLOR NO.	MAT'L (SEE NOTE 1)	COMMENTS	REGRIND
-01	WHITE	WT-07	6/6 NYLON	C&K STD.	N/A
-02	BLACK	BK-10	6/6 NYLON	C&K STD.	LESS THAN 25%
-03	RED	RD-08	6/6 NYLON	C&K STD.	
-04	ORANGE	OR-08	6/6 NYLON	C&K STD.	
-05	YELLOW	YL-06	6/6 NYLON	C&K STD.	
-06	GREEN	GN-08	6/6 NYLON	C&K STD.	
-07	BLUE	BL-05	6/6 NYLON	C&K STD.	
-08	BROWN	BN-06	6/6 NYLON	C&K STD.	
-09	GRAY	GY-08	6/6 NYLON	C&K STD.	
-10	BARELY BEIGE		6/6 NYLON		
-11	DARK GRAY	99-0310	6/6 NYLON	XEROX	
-27	HEARTH CANDLE	68T7180 CREAM	6/6 NYLON	BUIST ELECT.	
-42	BLACK		DUPONT ZYTEL	FR-10 (ULVO)	
-48	BLACK		AKZO XYLON	UL94V-0	
-49	BLACK		DSM# S-225-KS	UL94V-0	
-50	BLACK		DSM# K-225-KS	UL94V-0	

- NOTES:
- MATERIAL: ZYTEL 101L (TYPE 6/6 NYLON) EXCEPT AS NOTED IN CHART.
  - COLOR: -01 THRU -09 ARE DUPONT. ZYTEL 101 STANDARD COLORS. ALL OTHERS ARE AS SPECIFIED. REGRIND (BY WEIGHT) ALLOWED IN ACCORDANCE WITH THE FOLLOWING UL SPECIFICATIONS: 746D, QMFZ2, UL1054 & UL61058; SEE CHART WHERE APPLICABLE. REGRIND MUST MATCH TYPE & GRADE. C OF C REQUIRED WITH EACH SHIPMENT INDICATING TYPE/GRADE OF RESIN USED & PERCENT REGRIND BY WEIGHT. THIS PART MUST BE RoHS COMPLIANT AND MEET ALL REQUIREMENTS OF RoHS DIRECTIVE 2002/95/EC.
  - UNLESS OTHERWISE SPECIFIED:
    - ALL CORNER RADII: 0.005 MAX.
    - MOLDING FLASH NOT TO EXCEED 0.003 MAX.
    - ALL DIMENSIONS INCLUDE DRAFT ANGLE.
    - EXTERIOR SURFACE FINISH: MATTE SPI-SPE #6
  - PARTS MUST BE CLEAN AND DRY.
  - SILICONE-BASED MOLD RELEASE OR ADDITIVES ARE NOT PERMITTED.
  - CAVITY ID CHARACTERS TO BE ALPHANUMERIC, 0.015/0.100 HIGH, FLUSH TO 0.010 BELOW INDICATED SURFACE.
  - C&K PRODUCT ENGINEERING APPROVAL MUST BE OBTAINED PRIOR TO ANY MODIFICATIONS TO EXISTING EJECTOR PINS, PARTING LINE, GATE AND CAVITY ID LOCATIONS.
  - REVIEW OF ALL DIMENSIONS REQUIRED BEFORE RE-TOOLING.

CAD FILE NO.: 6156

ALL DIMS. AND TOLS. PER ANSI Y14.5	UNLESS OTHERWISE SPECIFIED DIMENSIONS ARE IN INCHES	<b>BEZEL</b> SNAP-IN J OPTION 7XXX SERIES			
THIS DOCUMENT AND THE INFORMATION IN IT IS THE EXCLUSIVE PROPERTY OF C&K COMPONENTS, INC. AND IS NOT TO BE USED OR DISCLOSED WITHOUT THE EXPRESS WRITTEN PERMISSION OF C&K COMPONENTS, INC.	TOLERANCES				SCALE: 4:1
<input checked="" type="checkbox"/> CRITICAL - MUST COMPLY WITH C&K QUALIFICATION STD. CKQ10019 <input type="checkbox"/> MAJOR DIMENSION	DECIMAL: .XX± ANGULAR: .XXX± .003 SCALE: 4:1 DRAWN: MTJ	DRAWN: MTJ APPR:	DATE: 3/14/78 APPR:	6156 SHT. NO. OF	REV. H