

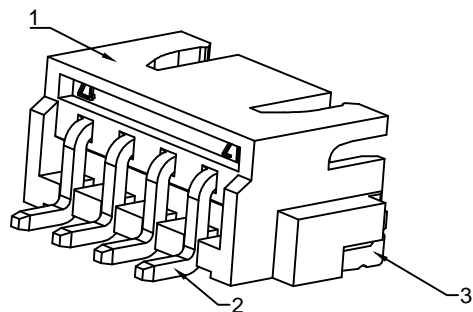
Specifications:

规格:

- 1.Voltage rating:250VAC/DC  
额定电压: 250V AC/DC
- 2.Current rating:3A AC/DC  
额定电流: 3A AC/DC
- 3.Withstanding voltage:500V AC/minute  
耐受电压: 500V AC/分钟
- 4.Temperature range: -25°C-+85°C  
温度范围: -25°C-+85°C
- 5.Insulation resistance:800MΩ MIN  
绝缘电阻: 800MΩ MIN
- 6.Contact resistance:20mΩ Max  
接触电阻: 20mΩ Max

Circuits	Dimensions		
	A	B	C
2	2.50	10.00	8.30
3	5.00	12.50	10.80
4	7.50	15.00	13.30
5	10.00	17.50	15.80
6	12.50	20.00	18.30
7	15.00	22.50	20.80
8	17.50	25.00	23.30
9	20.00	27.50	25.80
10	22.50	30.00	28.30
11	25.00	32.50	30.80
12	27.50	35.00	33.30
13	30.00	37.50	35.80
14	32.50	40.00	38.80
15	35.00	42.50	40.80
16	37.50	45.00	43.30

8821WRS-XXP	LCP UL94V-0	Brass	Tin Plated	8821H
Series No.	Material	Material	Metal plating	Mate with Housing



new		2015/5/3	A	瀚源			
ECN BO.		DESCRIPTION.	DATE.		REV.		
DESIGNED	CHECKED	APPROVAL	DRAWING NUMBER	SCALT: 1/2	SCALE: 3:1		
Mikey	Tom	Jerry	PART NAME	8821WRS-XXP	UNLESS OTHERWISE SPECIFIED, TOLERANCE:	X.	±0.25
			MODEL NAME	H-8821WRS-XXP		X.x	±0.20
			3RD ANGLE PROJ	HanElectricity Co.,LTD		X.xx	±0.15
				FILE.NO.			