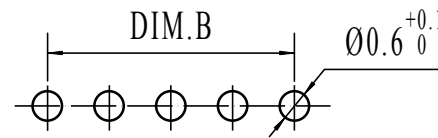
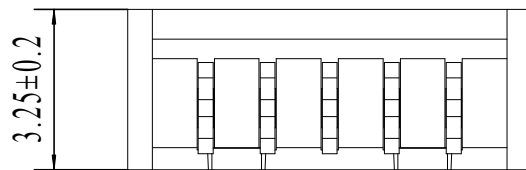
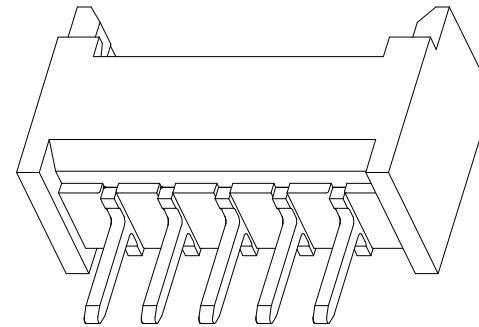
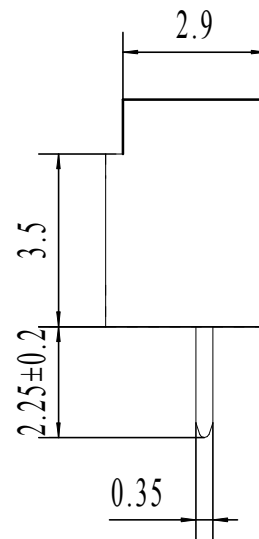
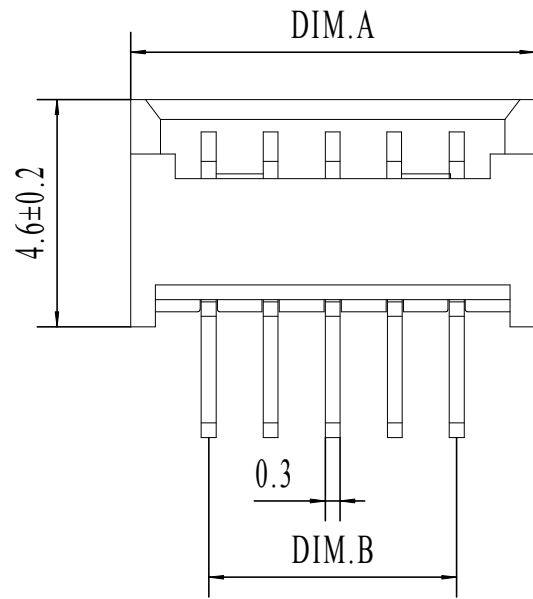


适应基板厚度: 1.2mm~1.6mm
 温度范围: -25℃~85℃
 额定电压: 125V AC/DC
 额定电流: 1A
 接触电阻: ≤0.02Ω
 绝缘电阻: ≥100MΩ
 耐压: 500V AC/minute



PCB LAYOUT

15	20.65	17.50
14	19.4	16.25
13	18.15	15.00
12	16.9	13.75
11	15.65	12.50
10	14.4	11.25
9	13.15	10.00
8	11.9	8.75
7	10.65	7.50
6	9.4	6.25
5	8.15	5.00
4	6.9	3.75
3	5.65	2.50
2	4.4	1.25
Pin	DIM.A	DIM.B

9821WV-XXP	PA6T UL94V-0	9821H	9821T
PART NO	Material	Suitable Housing	Suitable Terminal

2	PIN	n PCS	材质: 黄铜, 电镀: 镀亮锡60u~MIN
1	Housing	1 PCS	材质: PA6T (UL94V-0), 颜色: 本色或黑色
NO.	NAME	QTY	DESCRIPTION

—		new		2015/5/3		A		瀚源	
ECN BO.		DESCRIPTION.		DATE.		REV.			
DESIGNED	CHECKED	APPROVAL	DRAWING NUMBER			SCALT: 1/2		SCALE: 3:1	
Mikey	Tom	Jerry	PART NAME	9821WV-XXP	UNLESS OTHERWISE SPECIFIED, TOLERANCE:		X.	±0.25	
			MODEL NAME	H-9821WV-XXP			X.x	±0.20	
			3RD ANGLE PROJ	HanElectricity Co.,LTD				X.xx	±0.15
							FILE.NO.		