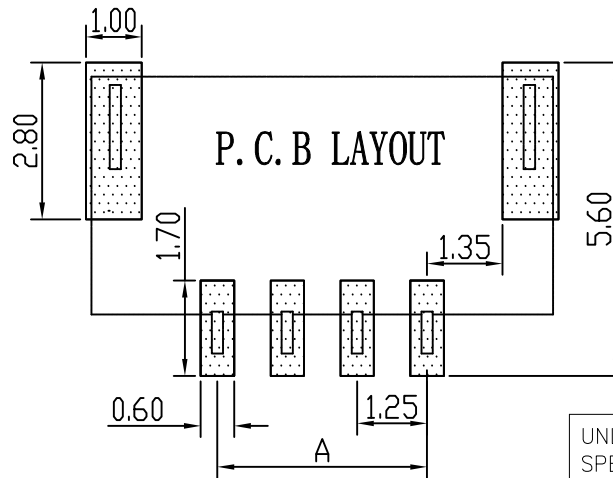
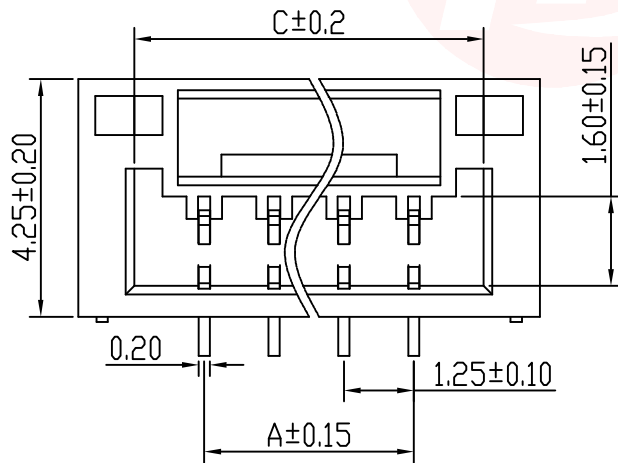
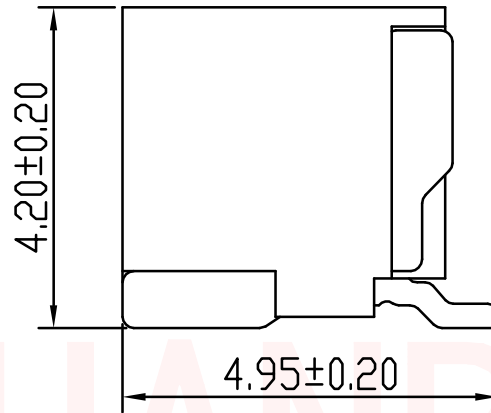
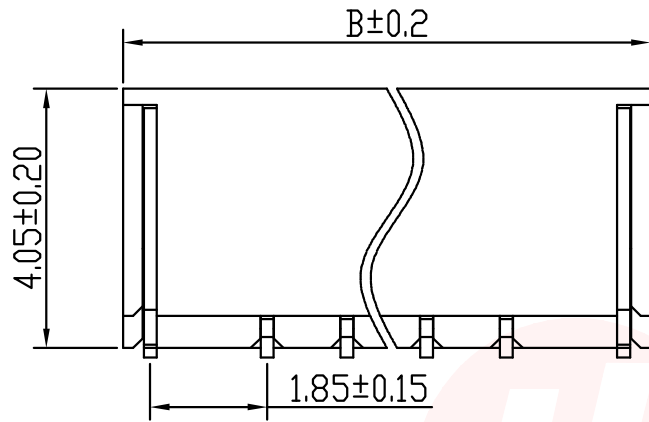




REV.	ECN NO OR DESCRIPTION	REVISED	DATE



SPECIFICATIONS

- 1、Current Rating: 1A AC, DC
- 2、Voltage Rating: 50V AC, DC
- 3、Temperatuer Range: -25°C~+85°C
- 4、Contact Resistance: 20mΩ Max
- 5、Insulation Resistance: 100MΩ Min
- 6、Withstanding Voltang: 500V AC/minute
- 7、Material: Wafer PA6T/LCP, UL94V-0
PIN Phosphoric bronze Tin-plated
Solder tad Phosphoric bronze Tin-plated

TABLE:

CSG PART NO.	Dimension mm		
	A	B	C
WAFER-GH125L-2A	1.25	5.75	3.75
WAFER-GH125L-3A	2.50	7.00	5.00
WAFER-GH125L-4A	3.75	8.25	6.25
WAFER-GH125L-5A	5.00	9.50	7.50
WAFER-GH125L-6A	6.25	10.75	8.75
WAFER-GH125L-7A	7.50	12.00	10.00
WAFER-GH125L-8A	8.75	13.25	11.25
WAFER-GH125L-9A	10.00	14.50	12.50
WAFER-GH125L-10A	11.25	15.75	13.75
WAFER-GH125L-11A	12.50	17.00	15.00
WAFER-GH125L-12A	13.75	18.25	16.25
WAFER-GH125L-13A	15.00	19.50	17.50
WAFER-GH125L-14A	16.25	20.75	18.75
WAFER-GH125L-15A	17.50	22.00	20.00
WAFER-GH125L-16A	18.75	23.25	21.25

UNLESS OTHERWISE SPECIFIED TOLERANCES

DECIMALS: X :±0.20
X.X :±0.10
X.XX :±0.05

ANGLES: X :±5°
X.X :±3°
X.XX :±1°



东莞市汉博电子科技有限公司
DONGGUAN HANBO TECHNOLOGY CO., LTD

TITLE	WAFER GH 1.25立贴 SMT TYPE			
DWN	xiong	PART NO. WAFER-GH125L-NA		
CHKD	lee	SCALE:1:1	UNIT: mm	
APVD	wang	SIZE: A4	SHEET:10F 1	REV: A4

CUSTOMER COPY