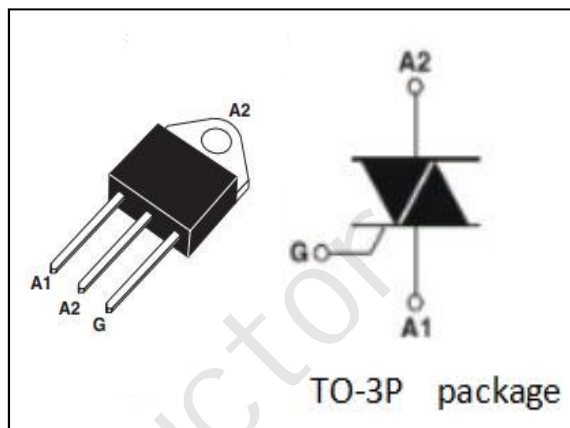


DESCRIPTION

- With TO-3P packaging
- Operating in 4 quadrants
- High commutation capability
- Minimum Lot-to-Lot variations for robust device performance and reliable operation

APPLICATIONS

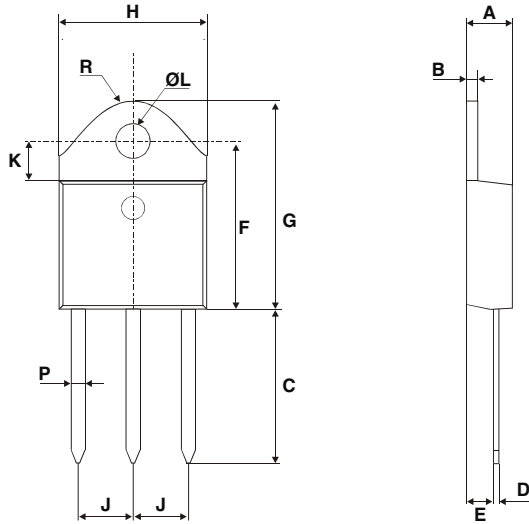
- Switching applications
- Phase control
- Static switching on inductive or resistive load


ABSOLUTE MAXIMUM RATINGS(T_a=25°C)

SYMBOL	PARAMETER	MAX	UNIT
V _{DRM}	Repetitive peak off-state voltage	600	V
V _{RRM}	Repetitive peak reverse voltage	600	V
I _{T(RSM)}	Average on-state current T _c =105°C	25	A
I _{TSM}	Surge non-repetitive on-state current	250 260	A
P _{G(AV)}	Average gate power dissipation (over any 20 ms period) T _j =125°C	1	W
T _j	Operating junction temperature	-40~125	°C
T _{stg}	Storage temperature	-40~150	°C

ELECTRICAL CHARACTERISTICS (T_c=25°C unless otherwise specified)

SYMBOL	PARAMETER	CONDITIONS	MIN	MAX	UNIT
I _{RRM}	Repetitive peak reverse current	V _R =V _{RRM} Rated; T _j =25°C		5	μA
I _{DRM}	Repetitive peak off-state current	V _D =V _{DRM} Rated; T _j =125°C		3	mA
V _{TM}	On-state voltage	I _T =35A; t _p =380 μs		1.55	V
I _{GT}	Gate-trigger current	V _D =12V;R _L =33Ω;	I	50	mA
			II	50	
			III	50	
			IV	100	
V _{GT}	Gate-trigger voltage	V _D =12V;R _L =33Ω;		1.3	V
R _{th(j-c)}	Junction to case			0.6	°C/W

TO-3P (Insulated and non insulated) Package Mechanical Data


REF.	DIMENSIONS					
	Millimeters			Inches		
	Min.	Typ.	Max.	Min.	Typ.	Max.
A	4.4		4.6	0.173		0.181
B	1.45		1.55	0.057		0.061
C	14.35		15.60	0.565		0.614
D	0.5		0.7	0.020		0.028
E	2.7		2.9	0.106		0.114
F	15.8		16.5	0.622		0.650
G	20.4		21.1	0.815		0.831
H	15.1		15.5	0.594		0.610
J	5.4		5.65	0.213		0.222
K	3.4		3.65	0.134		0.144
ØL	4.08		4.17	0.161		0.164
P	1.20		1.40	0.047		0.055
R		4.60			0.181	