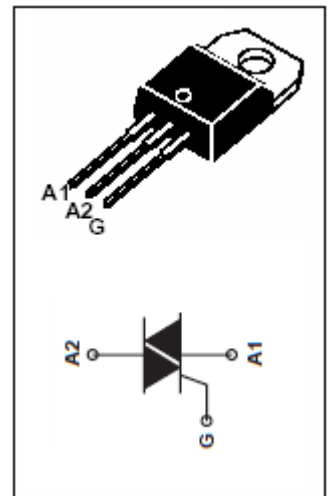


**FEATURES**

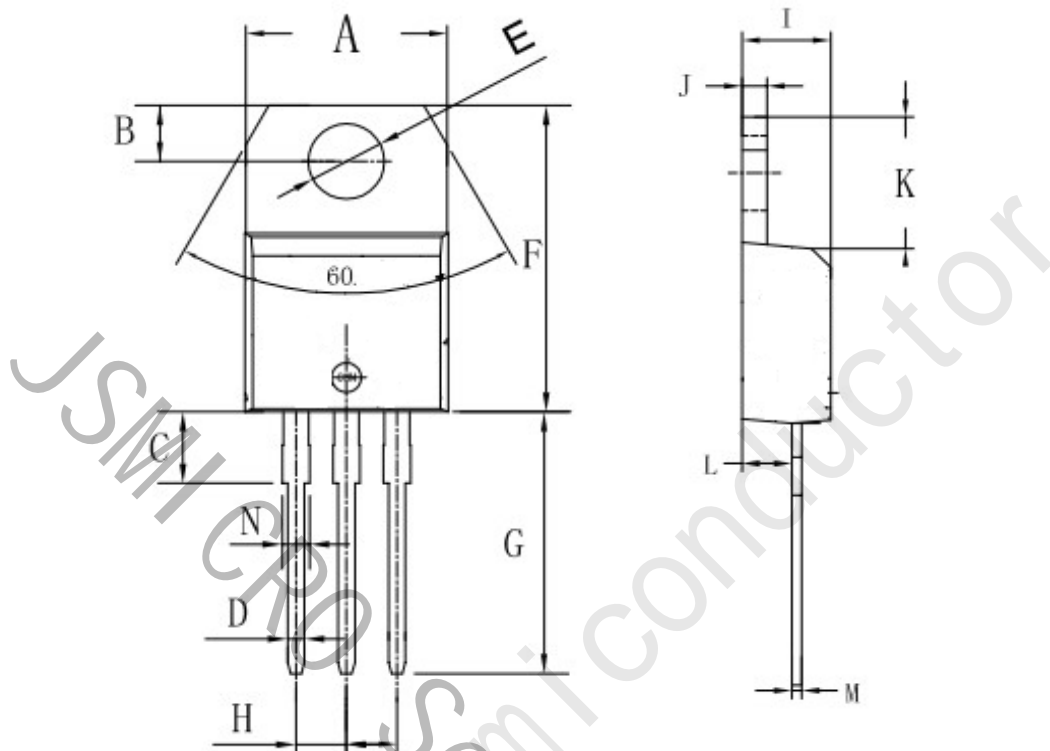
- With TO-220AB insulated package
- Suitable for general purpose AC switching . which can be used as an ON/OFF function in applications such as static relays, heating regulation, Induction motor starting circuits or for phase control in light dimmers, motor speed controllers etc.

**ABSOLUTE MAXIMUM RATINGS(Ta=25°C)**

SYMBOL	PARAMETER	MIN	UNIT
$V_{DRM}$	Repetitive peak off-state voltage	600	V
$V_{RRM}$	Repetitive peak reverse voltage	600	V
$I_{T(RMS)}$	RMS on-state current (full sine wave) $T_j=105^\circ\text{C}$	8	A
$I_{TSM}$	Non-repetitive peak on-state current $t_p=20\text{ms}$	80	A
$T_j$	Operating junction temperature	110	$^\circ\text{C}$
$T_{stg}$	Storage temperature	-45~150	$^\circ\text{C}$
$R_{th(j-c)}$	Thermal resistance, junction to case	2.5	$^\circ\text{C/W}$
$R_{th(j-a)}$	Thermal resistance, junction to ambient	60	$^\circ\text{C/W}$


**ELECTRICAL CHARACTERISTICS (Tc=25°C unless otherwise specified)**

SYMBOL	PARAMETER		CONDITIONS	MAX	UNIT
$I_{RRM}$	Repetitive peak reverse current		$V_R=V_{RRM}$ , $V_R=V_{RRM}$ , $T_j=110^\circ\text{C}$	0.01 0.5	mA
$I_{DRM}$	Repetitive peak off-state current		$V_D=V_{DRM}$ , $V_D=V_{DRM}$ , $T_j=110^\circ\text{C}$	0.01 0.5	mA
$I_{GT}$	Gate trigger current	I- II -III	$V_D=12\text{V}$ ; $R_L=30\ \Omega$	5	mA
$I_H$	Holding current		$I_{GT}=0.1\text{A}$ , Gate Open	10	mA
$V_{GT}$	Gate trigger voltage	I- II -III	$V_D=12\text{V}$ ; $R_L=30\ \Omega$	1.3	V
$V_{TM}$	On-state voltage		$I_T=11\text{A}$ ; $t_p=380\ \mu\text{s}$	1.55	V

**TO-220 AB PACKAGE OUTLINE DIMENSIONS**


Symbol	Dimensions In Millimeters		Dimensions In Inches	
	Min	Max	Min	Max
A	9.8	10.4	0.385	0.409
B	2.65	3.1	0.104	0.122
C	2.8	4.2	0.110	0.165
D	0.7	0.92	0.027	0.036
E	3.75	3.95	0.147	0.155
F	14.8	16.1	0.582	0.633
G	13.05	13.6	0.513	0.535
H	2.4	2.7	0.094	0.106
I	4.38	4.61	0.172	0.181
J	1.15	1.36	0.045	0.053
K	5.85	6.82	0.230	0.268
L	2.35	2.75	0.092	0.108
M	0.35	0.65	0.013	0.025
N	1.18	1.42	0.046	0.055