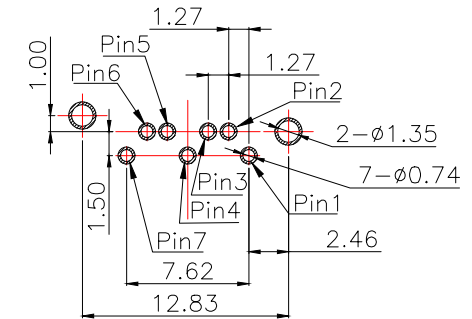
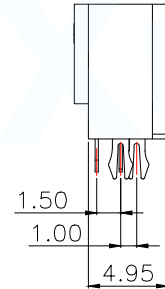
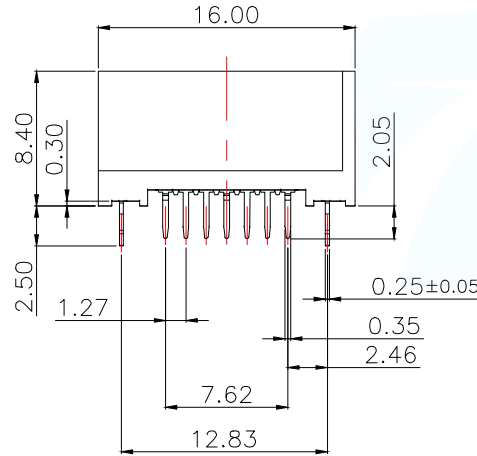
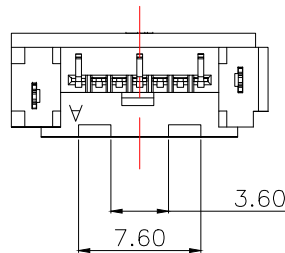


- 1.MATERIAL SPECIFICATION,
  - 1-1.HOUSING:SEE TABLE;
  - 1-2.CONTACT:BRASS C2680;
  - 1-3.HOOK:BRASS C2680;
- 2.PLATING SPECIFICATION,
  - 2-1.CONTACT:  
UNDER PLATING:Ni 50u" Min PLATED OVER ALL;  
CONTACT AREA: SEE TABLE;  
SOLDER TAIL: MATTE TIN 100u" Min PLATED,
  - 2-2.HOOK: MATTE TIN 100u" Min PLATED OVER Ni 50u" Min.
- 3.MECHANICAL PERFORMANCE,
  - 3-1.INSERTION FORCE:45N Max
  - 3-2.REMOVAL FORCE:10N Min
  - 3-3.DURABILITY:50 CYCLES
- 4.ELECTRICAL PERFORMANCE,
  - 4-1.CURRENT RATING:1.5A Max
  - 4-2.INSULATION RESISTANCE:1000 MEGAOHMS Min.
  - 4-3.DIELECTRIC WITHSTAND VOLTAGE:500VRMS AT SEA LEVEL



RECOMMENDED P.C.B. LAYOUT(TOP VIEW)  
THICKNESS:1.6mm; TOLERANCE ±0.05mm



|                                       |          |   |   |
|---------------------------------------|----------|---|---|
| MANUFACTURE DWG                       |          |  东莞市讯普电子科技有限公司<br>DongGuan XunPu Electronics Co.,Ltd |   |
| UNLESS OTHERWISE SPECIFIED TOLERANCES |          |    | TITLE:SATA2.0 7Pin CONN.<br>固定扣脚 PH1.5 端子反向 |
| DECIMALS:                             | ANGLES:  |   | PAR SATA-601-M07S1BY-A                      |
| X.X±0.20                              | X.*±5°   |   | DWN   |
| X.XX±0.15                             | X.X*±2°  |   | CHKD  |
| X.XXX±0.05                            | X.XX*±1° | APVD  | SCALE N:A UNIT:MM                           |
| CUSTOMER COPY                         |          | SIZE:A4   | SHEET:1F1 REV:A                             |