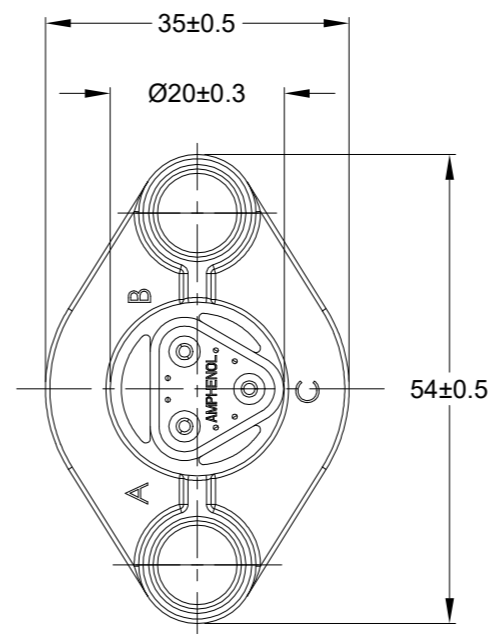
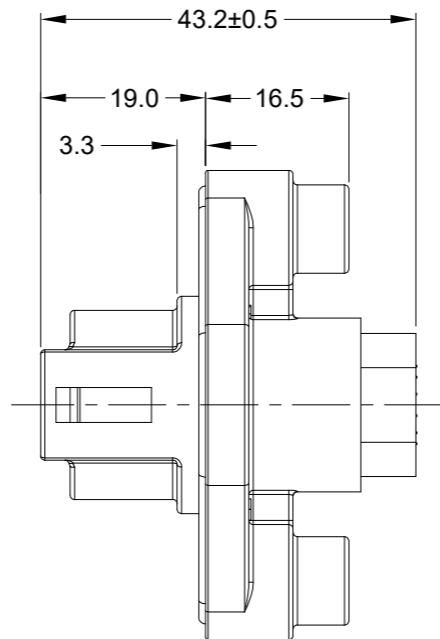
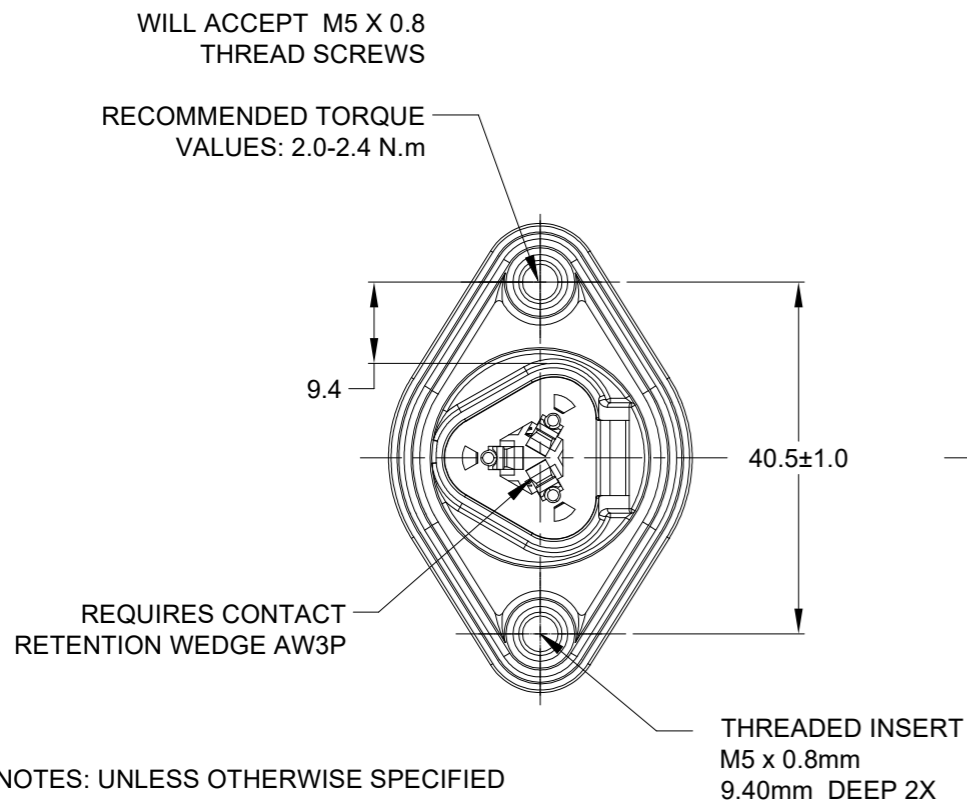
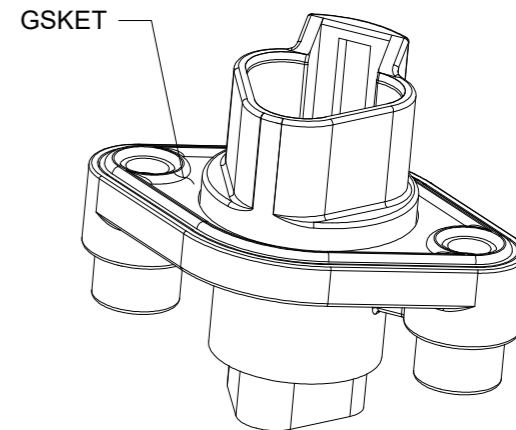
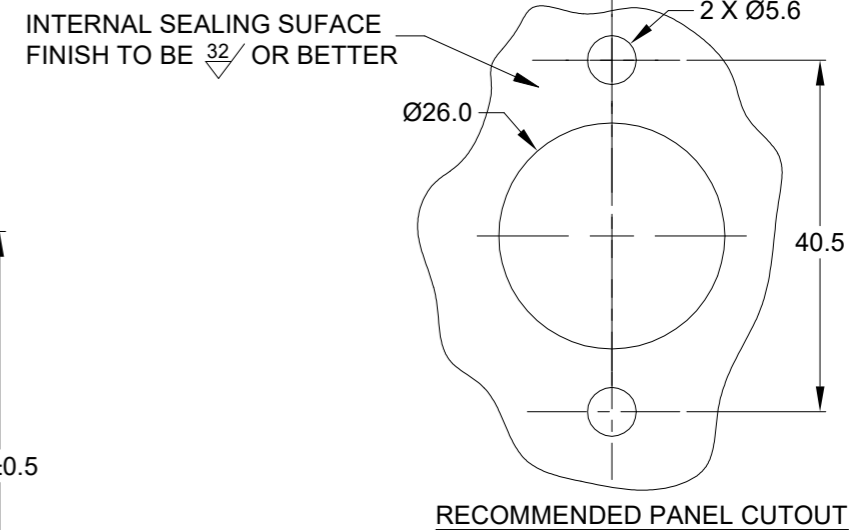
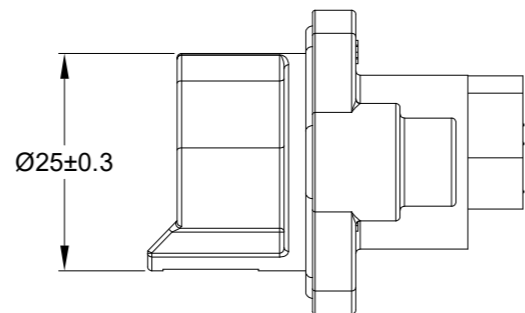
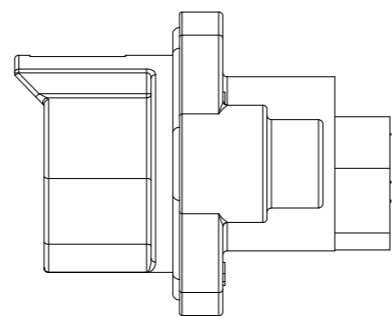


REVISIONS					
REV	ECO	DESCRIPTION	DATE	BY	APPR
A3	-	RELEASE NEW DRAWING FORMAT	11FEB14	ORION	-
A4	-	ADD RECOMMED TORQUE VALUE	01APR15	ORION	TOMMY
A5	-	ADD OTHER COLOR	10AUG18	ORION	TOMMY
A6	-	MODIFY DIMENSIONS	26SEP19	BROOK	TOMMY
A7	-	MODIFY DIMENSIONS	28/MAR/23	MILO	TOMMY



PART NUMBER CHART	
COLOR	PART NUMBER
GREY	AT04-3P-PM05
BLACK	AT04-3P-PM05BLK
BLUE	AT04-3P-PM05BLU
BROWN	AT04-3P-PM05BRN
GREEN	AT04-3P-PM05GRN
RED	AT04-3P-PM05RED
WHITE	AT04-3P-PM05WHT
YELLOW	AT04-3P-PM05YEL



6 CONTACT SIZE AND REAR SEAL WIRE RANGE:			
CONTACT SIZE	MIN. INSUL O.D.	MAX. INSUL O.D.	TYPICAL WIRE RANGE
16	2.24 mm (.088 in)	3.68 mm (.145 in)	14 - 20 AWG

NOTES: UNLESS OTHERWISE SPECIFIED

- MATERIAL:
HOUSING: THERMOPLASTIC;
SEAL: SILICONE RUBBER
- MODIFICATIONS: FLANGE
- SPECIFICATIONS:
 - CURRENT RATING: 13 AMPS
 - OPERATING TEMPERATURE: -55°C TO +125°C
 - DIELECTRIC WITHSTANDING VOLTAGE: LESS THAN 2 MILLIAMPS CURRENT LEAKAGE @ 1500 VOLTS AC.
 - INSULATION RESISTANCE: 1000 MEGOHMS MIN @ 25°C.
 - MOISTURE RESISTANCE:
IP68(IM OF WATER FOR A PERIOD OF 24 HOURS, MATED CONDITION);
IP69K(MATED CONDITION).
 - MATING CYCLE DURABILITY: 100 CYCLES
 - RoHS COMPLIANT
- MATING PART: AT06-3S* PLUG
(* = MODIFICATIONS)
- ALL DIMENSIONS ARE FOR REFERENCE USE ONLY.

QUANTITY	SEE PART NUMBER CHART	DESCRIPTION	ITEM
MATERIALS LIST			
UNLESS OTHERWISE SPECIFIED 1) All dimensions are in metric(mm). 2) Tolerances are as follows: 1 PL DEC ±0.30 2 PL DEC ±0.15 3 PL DEC ±0.08 3) Note reference = \triangle		SIGNATURES DRAWN: MILO DONG CHECKED: SULLEN ZHANG ENGINEER: APPROVAL: TOMMY XIE	DATE 28/MAR/23 29/MAR/23 30/MAR/23
MATERIAL SPECIFICATIONS: WEIGHT: 22.43g		 Sine Systems - www.amphenol-sine.com 44724 Morley Drive Clinton Township, MI 48036 RECEPTACLE, AT, 3 PIN, AT SERIES, W/ FLANGE, GASKET	
PROCESS SPECIFICATIONS:		THIS DRAWING IS SUPPLIED FOR INFORMATION ONLY. DESIGN FEATURES, SPECIFICATIONS AND PERFORMANCE DATA SHOWN HEREON ARE THE PROPERTY OF THE AMPHENOL CORPORATION. NO RIGHTS OF REPRODUCTION ARE IMPLIED. ALL DIMENSIONS ARE SUBJECT TO NORMAL MANUFACTURING VARIATIONS.	SIZE: B C- TYPE: NONE DWG NO: AT04-3P-PM05XXX REVISION: A7
NEXT ASSY:		SCALE: SHEET 1 OF 1	

TITLE: RECEPTACLE, AT, 3 PIN, AT SERIES, W/ FLANGE, GASKET
 DWG NO: AT04-3P-PM05XXX
 REV: A7
 SH: 1
 OF: 1