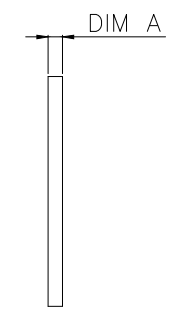
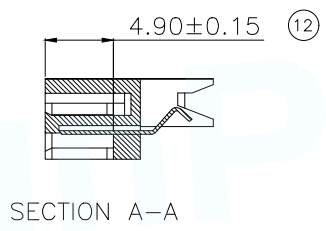


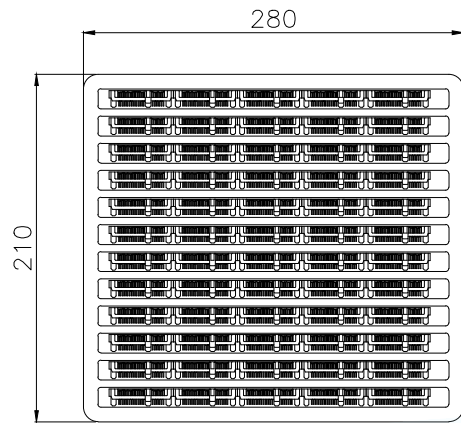
PCB LAYOUT



NOTE:
 1. MATERIAL:
 HOUSING: LCP WITH 30% GF, UL 94V-0, BLACK COLOR.
 TERMINAL: COPPER ALLOY.
 2. ELECTRICAL:
 CURRENT RATING: 1.5 AMPERE PER CONTACT
 CONTACT RESISTANCE: 30 MILLIOHMS MAX
 INSULATION RESISTANCE: 1000 MEGOHMS MIN
 DIELECTRIC WITH STANDING VOLTAGE: 500 VDC
 OPERATING TEMPERATURE: -25°C ~ +85°C

DIM A	PART NO.	塑胶区别
1.0	SATA-001-M22S1BY-A	中间有缺口/七个孔
1.2	SATA-001-M22S1BY-B	七个孔
1.6	SATA-001-M22S1BY-C	七个孔
0.8	SATA-001-M22S1BY-D	七个孔

MANUFACTURE DWG		东莞市讯普电子科技有限公司 DongGuan XunPu Electronics Co., Ltd	
UNLESS OTHERWISE SPECIFIED TOLERANCES			TITLE: SATA 7+15P 夹板公座
DECIMALS:	ANGLES:		PAR SATA-001-M22S1BY-N
X.X±0.30	X.*±5°		DWN
X.XX±0.25	X.X°±2°		CHKD
X.XXX±0.15	X.XX°±1°	APVD	SCALE N:A UNIT:MM
CUSTOMER COPY		SIZE:A4	SHEET:1F1
			REV:A

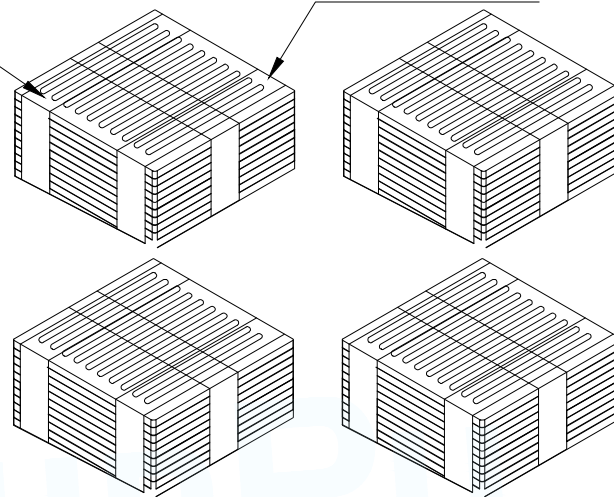


一吸塑盒=60PCS

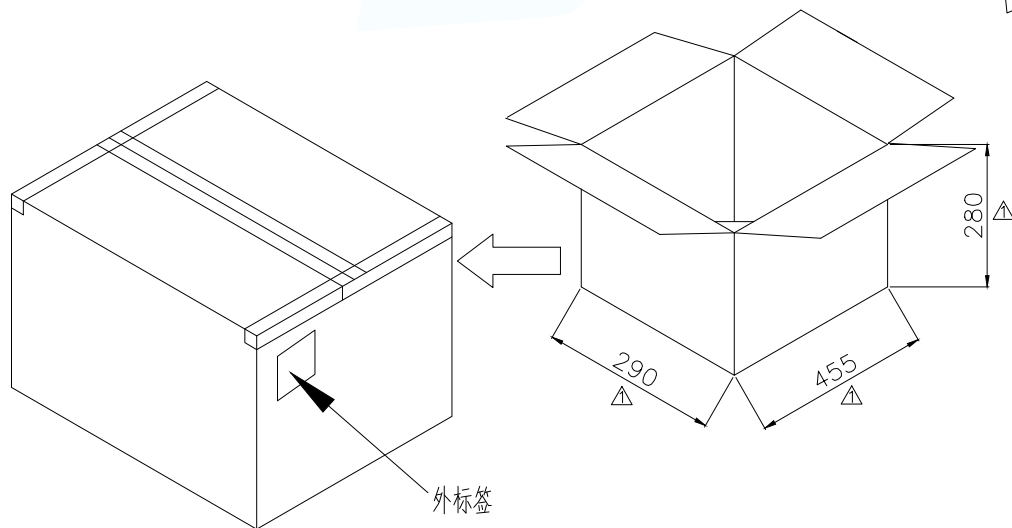
最上层放一个空吸塑盒

每叠=20盘

PE膜“工”字型缠绕



4叠=80盘



△ 说明:

1. 一叠吸塑盒=60 PCS
2. 每叠20盘=60 PCS/盘*20
=1200 PCS
3. 一箱=4叠=每叠1200 PCS *4
=4800 PCS/箱

MANUFACTURE DWG		 东莞市讯普电子科技有限公司 DongGuan XunPu Electronics Co.,Ltd	
UNLESS OTHERWISE SPECIFIED TOLERANCES		TITLE: SATA 7+15P 光碟盒 通用包装图	
DECIMALS:	ANGLES:	PAR	SATA-001-M22S1BY-N
X.X±0.30	X.*±5°	DWN	
X.XX±0.25	X.*±2°	CHKD	
X.XXX±0.15	X.XX*±1°	APVD	
CUSTOMER COPY		SCALE N:A	UNIT:MM
		SIZE:A4	SHEET:1F1
			REV:A