

Description

The AZ386 is a power amplifier designed for use in low voltage consumer applications. The gain is internally set to 20 to keep external part count low, but the addition of an external resistor and capacitor between pin 1 and pin 8 will increase the gain to any value from 20 to 200.

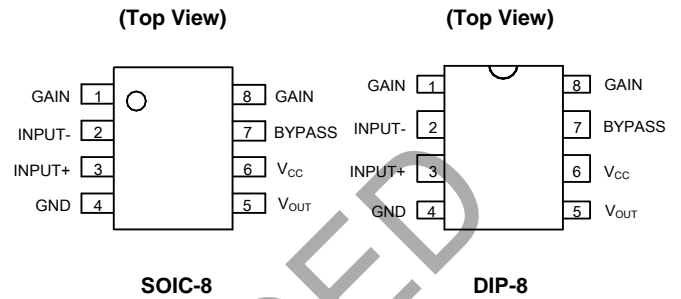
The inputs are ground referenced while the output automatically biases to one-half the supply voltage. The quiescent power drain is only 24mW when operating from a 5V supply, making the AZ386 ideal for battery operation.

This IC is available in SOIC-8 and DIP-8 packages.

Features

- Wide Supply Voltage Range: 4V to 16V
- Low Quiescent Current Drain: 6mA
- Voltage Gains from 20 to 200
- Battery Operation
- Minimum External Parts
- Low Power Dissipation
- Low Distortion
- **For automotive applications requiring specific change control (i.e. parts qualified to AEC-Q100/101/200, PPAP capable, and manufactured in IATF 16949 certified facilities), please [contact us](#) or your local Diodes representative. <https://www.diodes.com/quality/product-definitions/>**

Pin Assignments

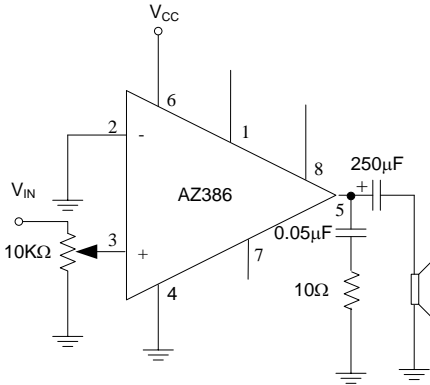


Applications

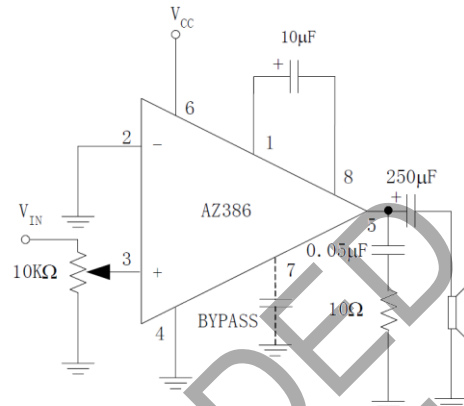
- AM-FM Radio Amplifier
- Cordless Phone
- TV Sound Systems
- Portable Tape Player Amplifier
- Intercoms
- Line Drivers
- Ultrasonic Drivers
- Small Servo Drivers
- Power Converters

NOT RECOMMENDED FOR NEW DESIGN

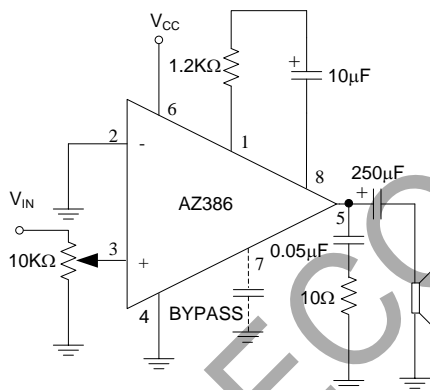
Typical Applications Circuit (Note 1)



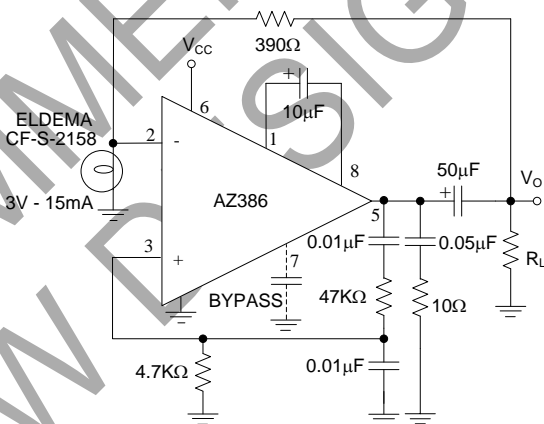
Amplifier With Gain=20



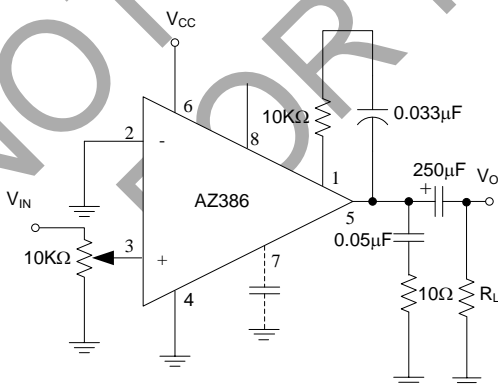
Amplifier With Gain=200



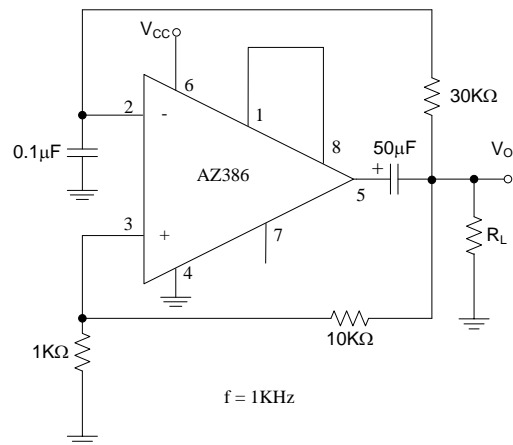
Amplifier With Gain=50



Low Distortion Power Wienbridge Oscillator



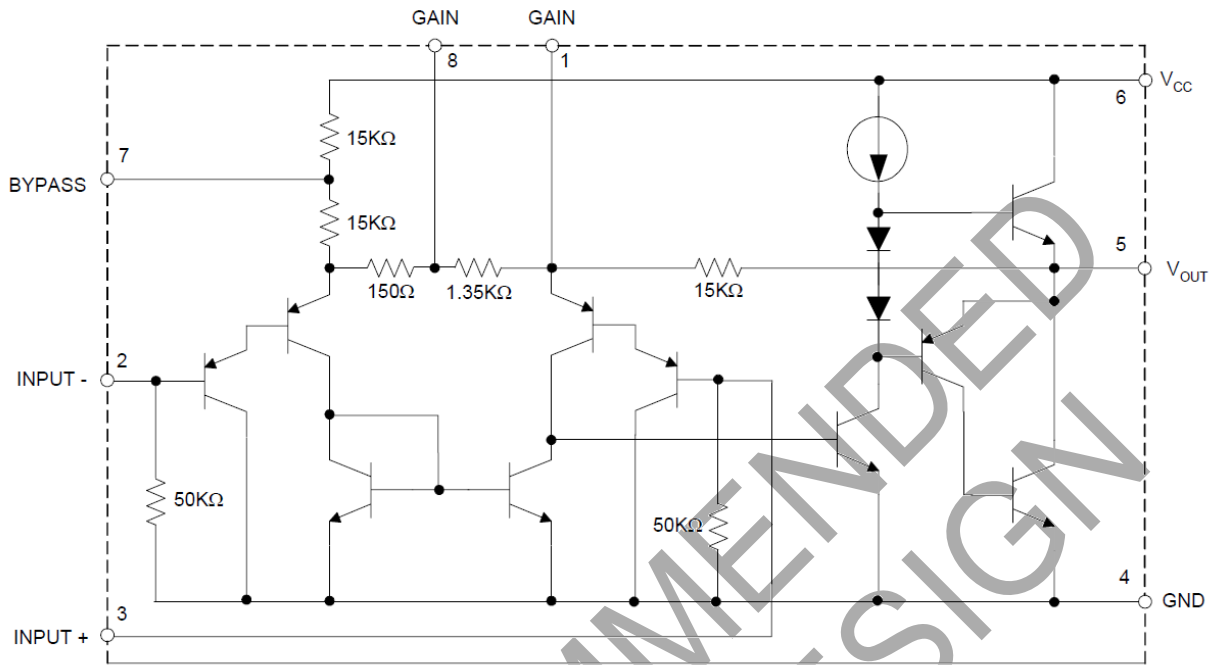
Amplifier With Bass Boost



Square Wave Oscillator

Note 1: The R-C series circuit from output to ground, which will make the output stable, is depended on the different capacitive load in the circuit, the correct values for the R and C can be determined through experimental methods.

Functional Block Diagram



Absolute Maximum Ratings (Note 2)

Symbol	Parameter	Rating		Unit
V_{CC}	Power Supply Voltage	18		V
P_D	Package Dissipation (Note 3)	AZ386P	1.25	W
		AZ386M	0.73	W
V_{IN}	Input Voltage	-0.4V to $V_{IN}+0.4V$		V
T_J	Junction Temperature	+150		°C
T_{STG}	Storage Temperature Range	-55 to +150		°C
-	Soldering Information	DIP-8 Soldering (10 sec.)	+260	°C
		SOIC-8 (15 sec.)	+215	
θ_{JA}	Thermal Resistance	DIP-8	107	°C/W
		SOIC-8	172	

- Notes:
- Stresses greater than those listed under *Absolute Maximum Ratings* can cause permanent damage to the device. These are stress ratings only, and functional operation of the device at these or any other conditions beyond those indicated under *Recommended Operating Conditions* is not implied. Exposure to *Absolute Maximum Ratings* for extended periods can affect device reliability.
 - For operation in ambient temperatures (T_A) above +25°C, the device must be derated based on a +150°C maximum junction temperature and 1) a thermal resistance of 107°C/W junction to ambient for the Dual-in-Line package and 2) a thermal resistance of 172°C/W for the small outline package.

Recommended Operating Conditions

Parameter	Min	Max	Unit
Operating Temperature Range	0	+70	°C

Electrical Characteristics (Note 4)

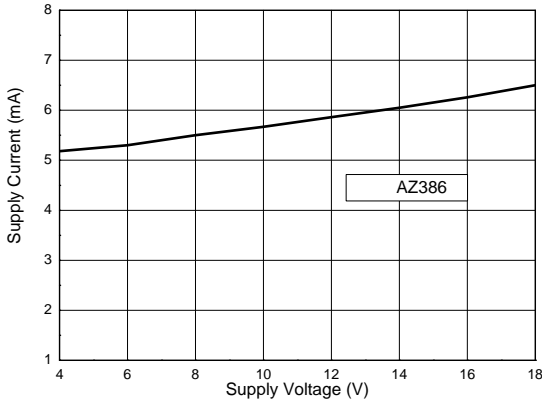
Operating Conditions: $T_A=+25^{\circ}\text{C}$, unless otherwise specified.

Symbol	Parameter	Test Conditions	Min	Typ	Max	Unit
V_{CC}	Supply Voltage	–	4	–	16	V
I_Q	Quiescent Current	$V_{CC}=6\text{V}$, $V_{IN}=0$	–	6	8	mA
P_{OUT}	Output Power	$V_{CC}=6\text{V}$, $R_L=8\Omega$, THD=10%	250	300	–	mW
		$V_{CC}=9\text{V}$, $R_L=8\Omega$, THD=10%	500	800	–	mW
		$V_{CC}=16\text{V}$, $R_L=32\Omega$, THD=10%	700	1000	–	mW
G_V	Voltage Gain	$V_{CC}=6\text{V}$, $f=1\text{KHz}$ $10\mu\text{F}$ from Pin 1 to 8	–	26	–	dB
			–	45	–	dB
BW	Bandwidth	$V_{CC}=6\text{V}$, Pins 1 and 8 open	–	500	–	KHz
THD	Total Harmonic Distortion	$V_{CC}=6\text{V}$, $R_L=8\Omega$, $P_{OUT}=125\text{mW}$ $f=1\text{KHz}$, Pins 1 and 8 open	–	0.27	–	%
PSRR	Power Supply Rejection Ratio	$V_{CC}=6\text{V}$, $f=1\text{KHz}$, $C_{BYPASS}=10\mu\text{F}$, Pins 1 and 8 open, Referred to Output	–	45	–	dB
R_{IN}	Input Resistance	–	–	70	–	$\text{K}\Omega$
I_{BIAS}	Input Bias Current	$V_{CC}=6\text{V}$, Pins 2 and 3 open	–	10	–	nA

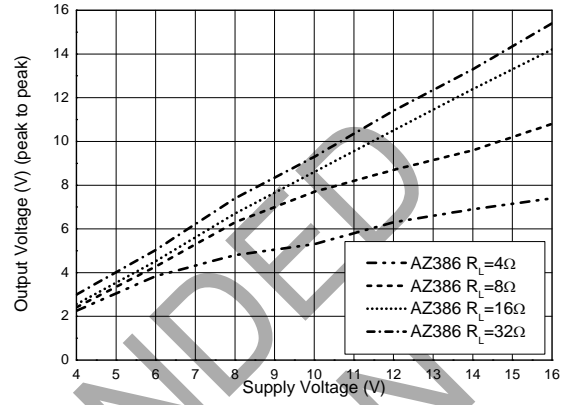
Note 4: All voltages are measured with respect to the ground pin, unless otherwise specified.

Performance Characteristics

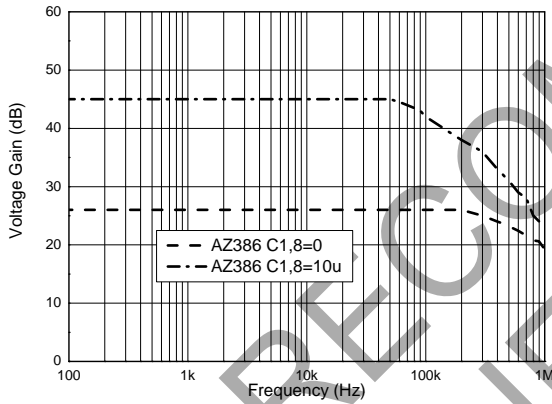
Quiescent Supply Current vs. Supply Voltage



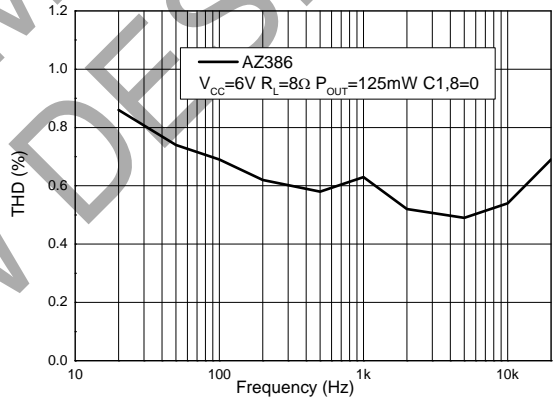
Peak-to-Peak Output Voltage Swing vs. Supply Voltage



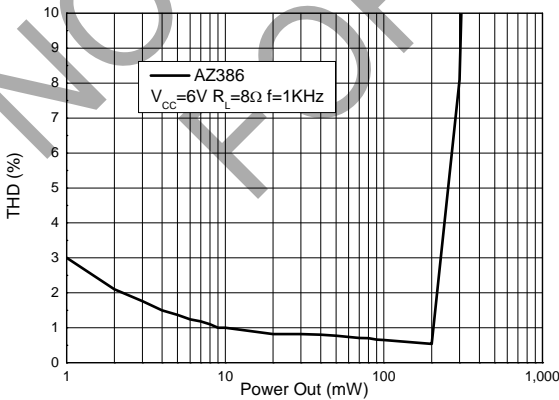
Voltage Gain vs. Frequency



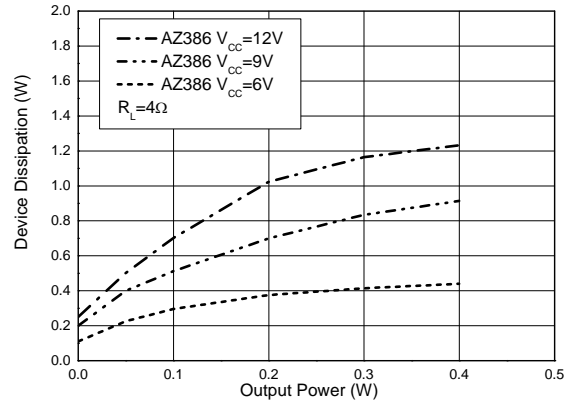
Distortion vs. Frequency



Distortion vs. Output Power

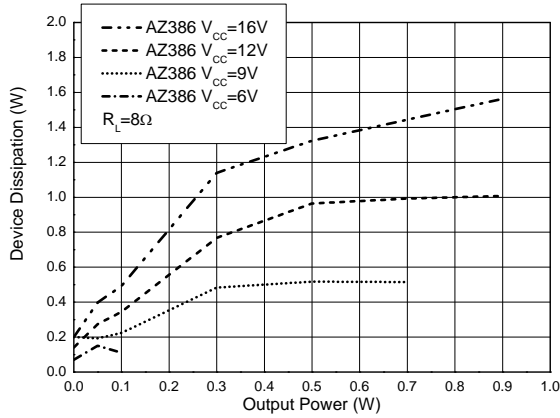


Device Dissipation vs. Output Power (4Ω Load)

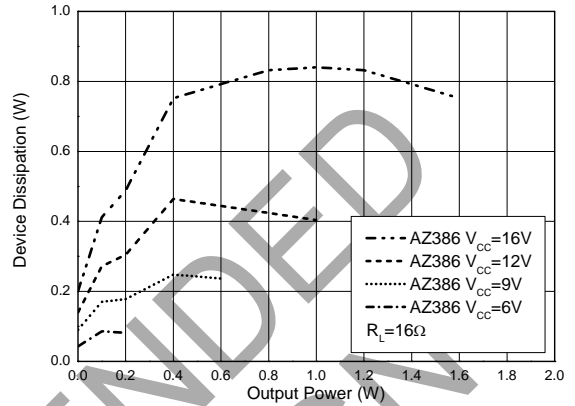


Performance Characteristics (continued)

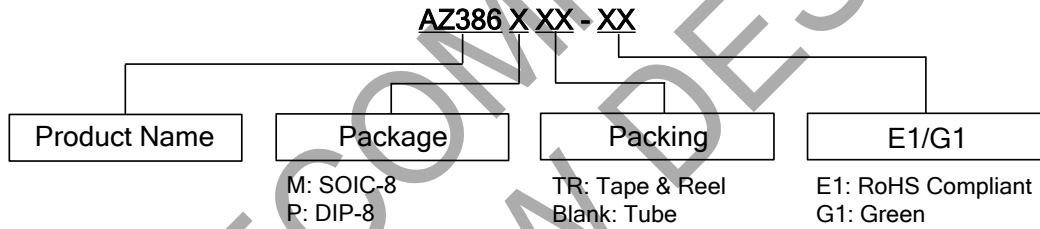
Device Dissipation vs. Output Power (8Ω Load)



Device Dissipation vs. Output Power (16Ω Load)



Ordering Information

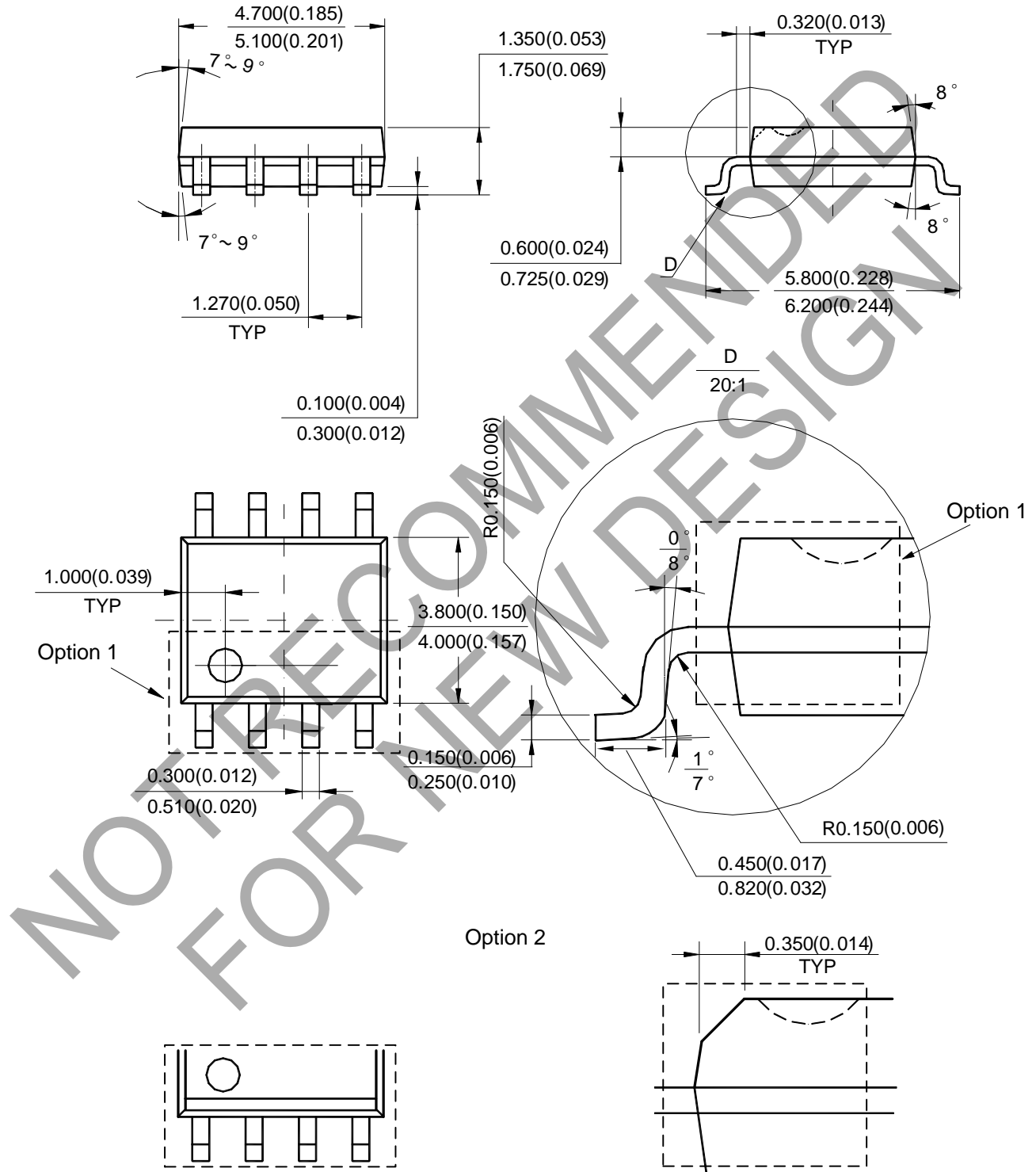


Package	Temperature Range	Part Number		Marking ID		Packing Type
		Lead Free	Green	Lead Free	Green	
SOIC-8	0 to +70°C	AZ386M-E1	AZ386M-G1	386M-E1	386M-G1	Tube
		AZ386MTR-E1	AZ386MTR-G1	386M-E1	386M-G1	Tape & Reel
DIP-8	0 to +70°C	AZ386P-E1	AZ386P-G1	AZ386P-E1	AZ386P-G1	Tube

Package Outline Dimensions (All dimensions in mm(inch).)

Please see <http://www.diodes.com/package-outlines.html> for the latest version.

(1) Package Type: SOIC-8

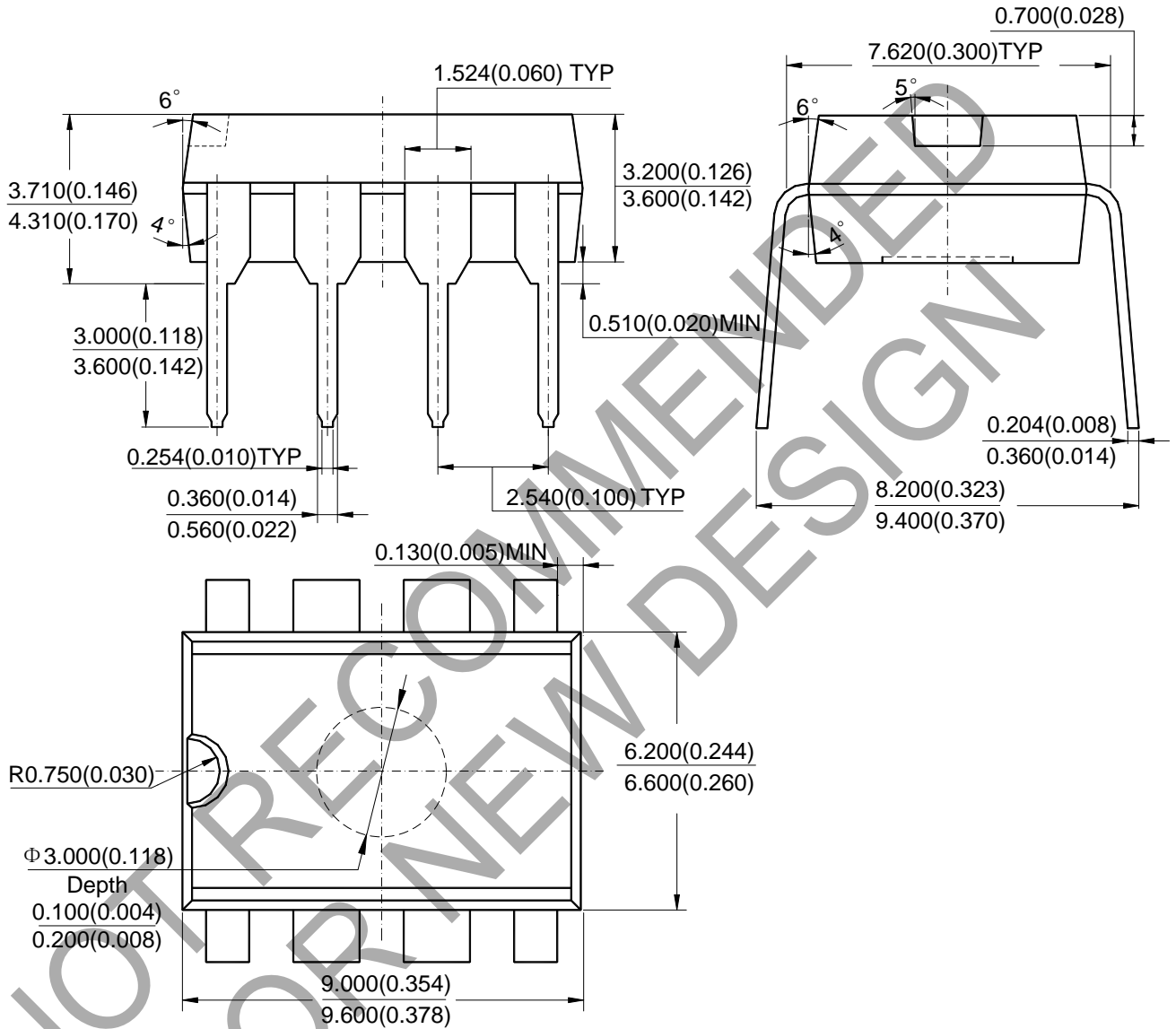


Note: Eject hole, oriented hole and mold mark is optional.

Package Outline Dimensions (All dimensions in mm(inch).) (continued)

Please see <http://www.diodes.com/package-outlines.html> for the latest version.

(2) **Package Type: DIP-8**

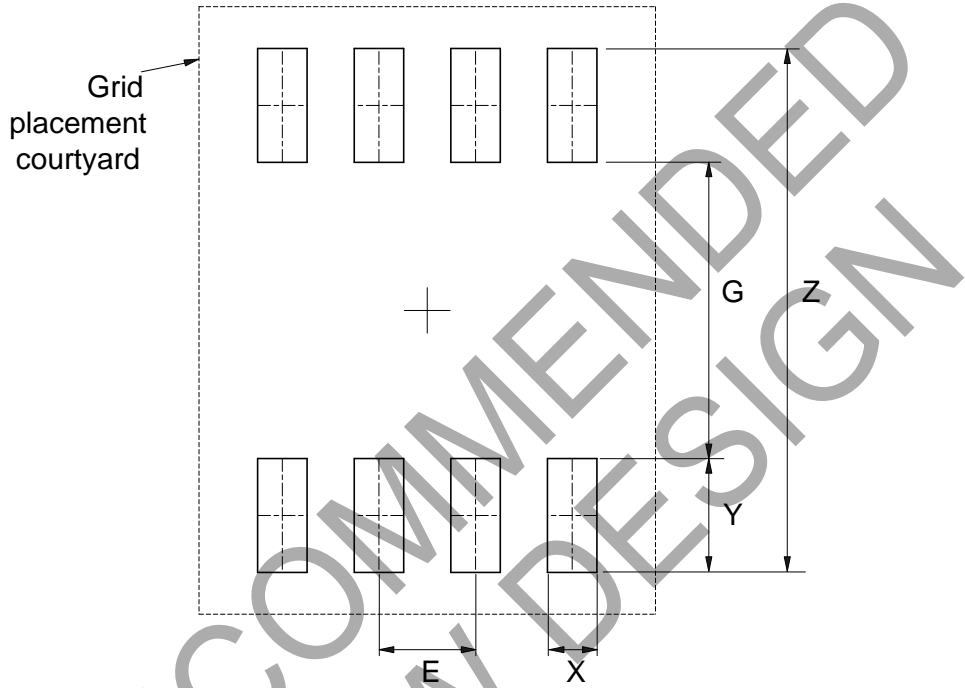


Note: Eject hole, oriented hole and mold mark is optional.

Suggested Pad Layout

Please see <http://www.diodes.com/package-outlines.html> for the latest version.

(1) Package Type: SOIC-8



Dimensions	Z (mm)/(inch)	G (mm)/(inch)	X (mm)/(inch)	Y (mm)/(inch)	E (mm)/(inch)
Value	6.900/0.272	3.900/0.154	0.650/0.026	1.500/0.059	1.270/0.050

IMPORTANT NOTICE

1. DIODES INCORPORATED AND ITS SUBSIDIARIES ("DIODES") MAKE NO WARRANTY OF ANY KIND, EXPRESS OR IMPLIED, WITH REGARDS TO ANY INFORMATION CONTAINED IN THIS DOCUMENT, INCLUDING, BUT NOT LIMITED TO, THE IMPLIED WARRANTIES OF MERCHANTABILITY, FITNESS FOR A PARTICULAR PURPOSE OR NON-INFRINGEMENT OF THIRD PARTY INTELLECTUAL PROPERTY RIGHTS (AND THEIR EQUIVALENTS UNDER THE LAWS OF ANY JURISDICTION).
2. The Information contained herein is for informational purpose only and is provided only to illustrate the operation of Diodes products described herein and application examples. Diodes does not assume any liability arising out of the application or use of this document or any product described herein. This document is intended for skilled and technically trained engineering customers and users who design with Diodes products. Diodes products may be used to facilitate safety-related applications; however, in all instances customers and users are responsible for (a) selecting the appropriate Diodes products for their applications, (b) evaluating the suitability of the Diodes products for their intended applications, (c) ensuring their applications, which incorporate Diodes products, comply the applicable legal and regulatory requirements as well as safety and functional-safety related standards, and (d) ensuring they design with appropriate safeguards (including testing, validation, quality control techniques, redundancy, malfunction prevention, and appropriate treatment for aging degradation) to minimize the risks associated with their applications.
3. Diodes assumes no liability for any application-related information, support, assistance or feedback that may be provided by Diodes from time to time. Any customer or user of this document or products described herein will assume all risks and liabilities associated with such use, and will hold Diodes and all companies whose products are represented herein or on Diodes' websites, harmless against all damages and liabilities.
4. Products described herein may be covered by one or more United States, international or foreign patents and pending patent applications. Product names and markings noted herein may also be covered by one or more United States, international or foreign trademarks and trademark applications. Diodes does not convey any license under any of its intellectual property rights or the rights of any third parties (including third parties whose products and services may be described in this document or on Diodes' website) under this document.
5. Diodes products are provided subject to Diodes' Standard Terms and Conditions of Sale (<https://www.diodes.com/about/company/terms-and-conditions/terms-and-conditions-of-sales/>) or other applicable terms. This document does not alter or expand the applicable warranties provided by Diodes. Diodes does not warrant or accept any liability whatsoever in respect of any products purchased through unauthorized sales channel.
6. Diodes products and technology may not be used for or incorporated into any products or systems whose manufacture, use or sale is prohibited under any applicable laws and regulations. Should customers or users use Diodes products in contravention of any applicable laws or regulations, or for any unintended or unauthorized application, customers and users will (a) be solely responsible for any damages, losses or penalties arising in connection therewith or as a result thereof, and (b) indemnify and hold Diodes and its representatives and agents harmless against any and all claims, damages, expenses, and attorney fees arising out of, directly or indirectly, any claim relating to any noncompliance with the applicable laws and regulations, as well as any unintended or unauthorized application.
7. While efforts have been made to ensure the information contained in this document is accurate, complete and current, it may contain technical inaccuracies, omissions and typographical errors. Diodes does not warrant that information contained in this document is error-free and Diodes is under no obligation to update or otherwise correct this information. Notwithstanding the foregoing, Diodes reserves the right to make modifications, enhancements, improvements, corrections or other changes without further notice to this document and any product described herein. This document is written in English but may be translated into multiple languages for reference. Only the English version of this document is the final and determinative format released by Diodes.
8. Any unauthorized copying, modification, distribution, transmission, display or other use of this document (or any portion hereof) is prohibited. Diodes assumes no responsibility for any losses incurred by the customers or users or any third parties arising from any such unauthorized use.

Copyright © 2020 Diodes Incorporated

www.diodes.com

Mouser Electronics

Authorized Distributor

Click to View Pricing, Inventory, Delivery & Lifecycle Information:

[Diodes Incorporated:](#)

[AZ386MTR-E1](#)