

**MATERIAL 材料:**

HOUSING 外壳: PBT,UL94V-0,BLACK.

TERMINALS BRACKET 端子支架: PBT,UL94V-0,BLACK.

TERMINAL 端子: PHOSPHOR BRONZE ,T=0.35MM,  
GOLD PLATING ON CONTACT AREA.

**MECHANICAL 机械:**

DURABILITY 耐用性: 750 CYCLES MIN.

MATING FORCE 配合力: 23N MAX.

OPERATING TEMPERATURE 工作温度: -40°C~+85°C.

STORAGE TEMPERATURE 储存温度: -40°C~+85°C.

**SPECIFICATION 规格**

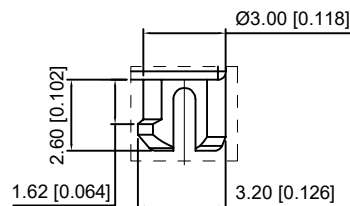
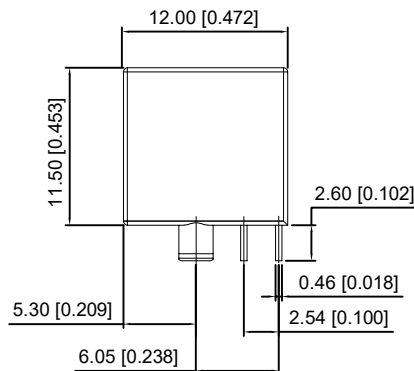
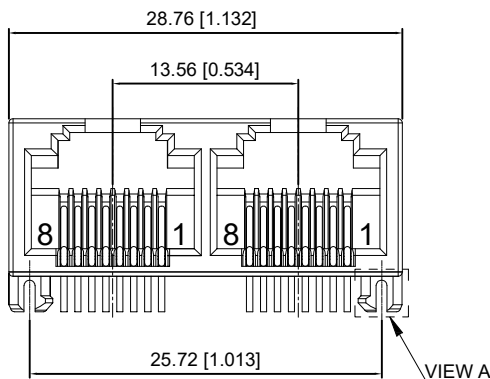
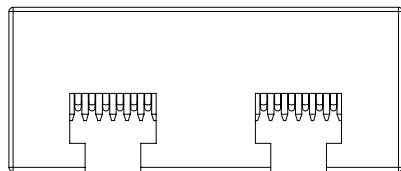
1. VOLTAGE RATING 额定电压: 150 VAC RMS.

2. CURRENT RATING 额定电流: 1.5 AMP

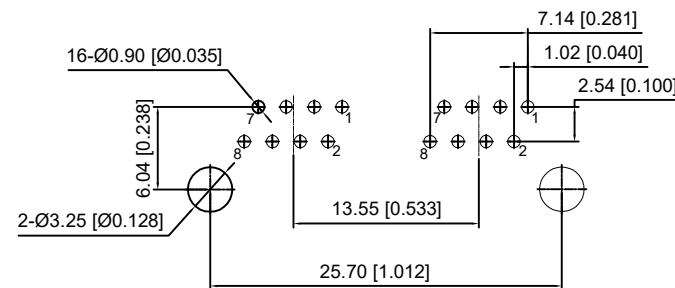
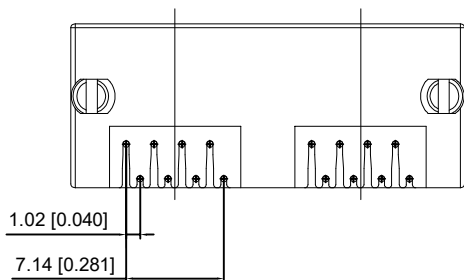
3. CONTACT RESISTANCE 接触电阻: 40 mΩ MAX

4. INSULATION RESISTANCE 绝缘电阻: 500MΩ MIN.

5. WITHSTAND VOLTAGE 耐压: AC1000V RMS 60s.



VIEW A  
SCALE 2:1



Recommend PCB Layout(Jack Top View)  
Tolerance:0.05mm  
PCB Thickness:1.6mm

					ANGULAR	±5°	<b>XKB</b>	DSND		SCALE: N/A	MODEL TYPE: RJ JACK	
					L ≤ 4	±0.2		DWN		VIEW:	PART NO.:	
					4 < L ≤ 16	±0.3		CHKD		UNIT: mm/in	DWG NO.:	
					16 < L ≤ 63	±0.4		APPD		SIZE: A4	X15BDIWA1DY1006	
					L > 63	±0.5					WEIGHT	SHEET
					UNSPECIFIED TOLERANCES			XKB INDUSTRIAL PRECISION CO.,LIMITED			1/1	A0
REVISIONS					UNSPECIFIED TOLERANCES							
www.helloxkb.com www.helloxkb.cn www.xk-dg.cn												