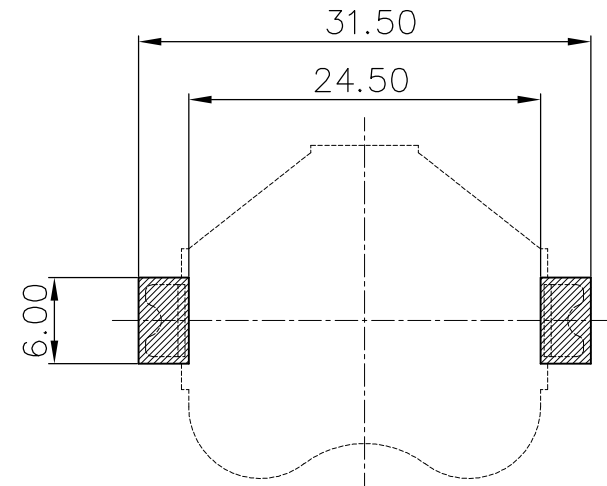
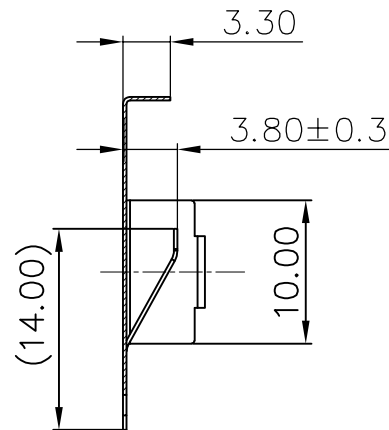
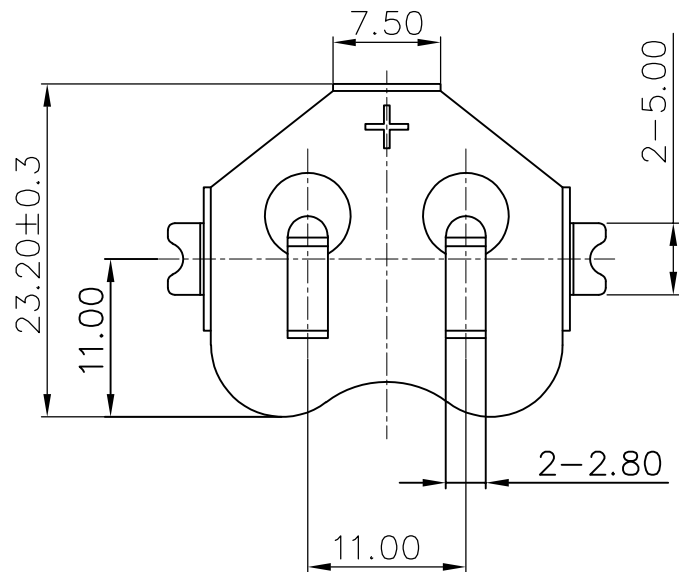
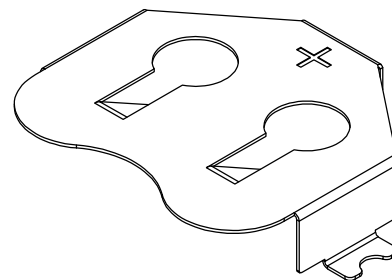
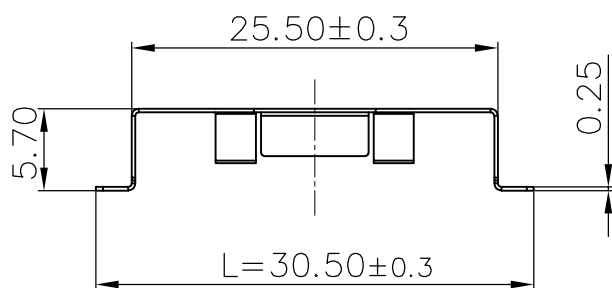




REV.	ECN NO.	REVISED	DATE



PCB Layout Diagram
Top View



UNLESS OTHERWISE SPECIFIED TOLERANCES		MYOUNG 美阳 www.meiyangdz.com			
DECIMALS: X :±0.30 X.X :±0.25 X.XX :±0.20 X.XXX :±0.10	ANGLES: X :±1° X.X :±0.5°	DSND	Lieqinghuang	DATE	2023-06-02
		CHKD	ZhouRuicai	DATE	2023-06-02
		APVD	XueShunyong	DATE	2023-06-02
		SCALE:	SIZE: A4	VIEW:	⊙ ⊚
		WEIGHT:	9	UNIT: mm	REV.: A/0
		SHEET 1 OF 1		OBJECT: MY	DRAW NO.:MY-CP-0356
		TITLE:		电池扣CR2450-W2 L=30.5	
		PART NO.:		MY-2450-05-J	

1	TERMINAL(+)	1	C5191 T=0.25	Ni(100u"-120u")-Plating
NO.	PART NAME	Q'TY	MATERIAL	PLATING & COLOR