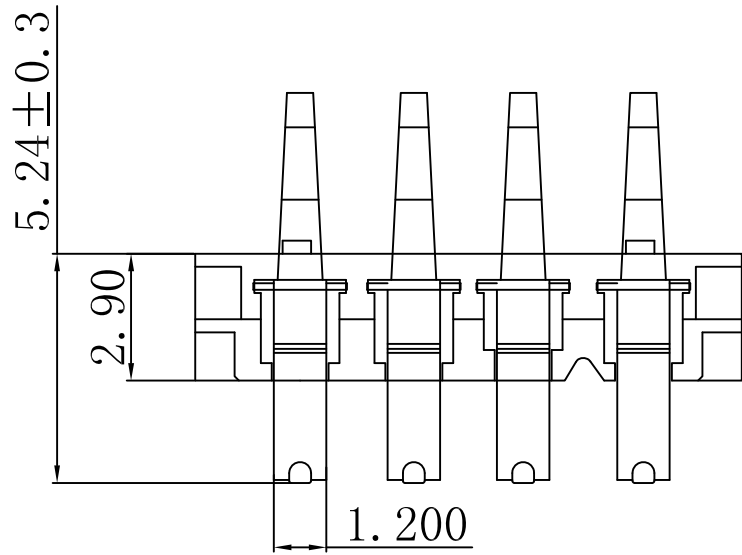
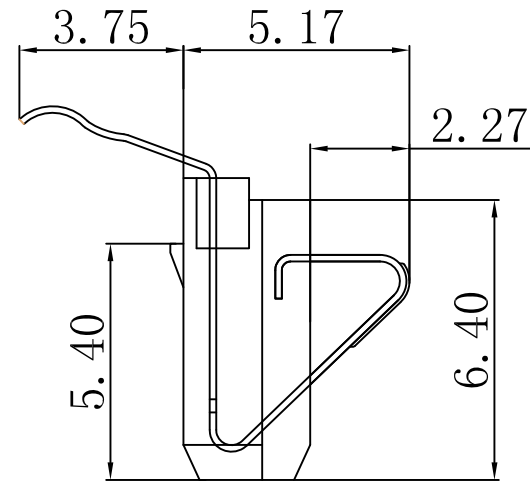
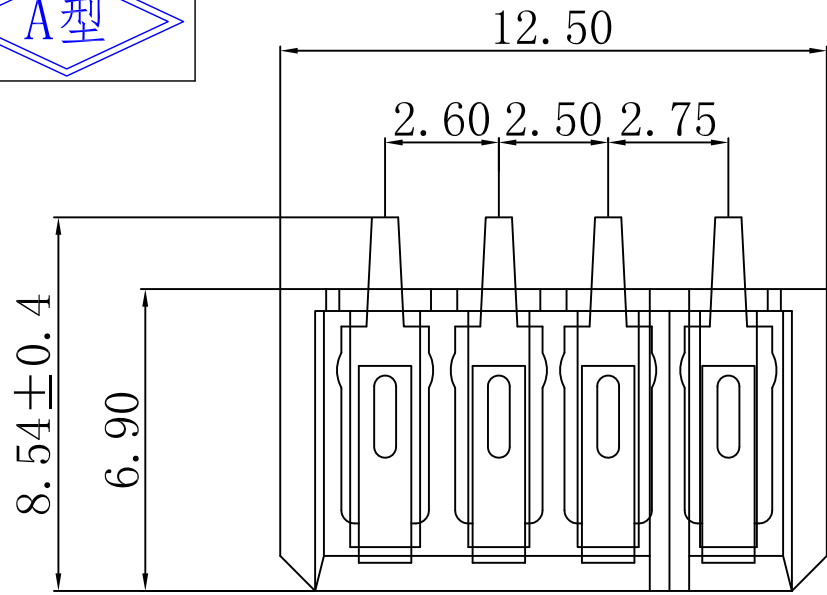




REV.	ECN NO.	REVISED	DATE



UNLESS OTHERWISE SPECIFIED TOLERANCES		MYOUNG 美阳 www.meiyangdz.com				
DECIMALS: X : ±0.30	ANGLES: X : ±1°	DSND	YangFeng	DATE	2018-12-12	TITLE: 锂电池座-4Pin
X.X : ±0.25	X.X : ±0.5°	CHKD	ZhouRuicia	DATE	2018-12-12	
X.XX : ±0.20		APVD	XueShunyong	DATE	2018-12-12	PART NO.: MY-4P-01
X.XXX : ±0.10		WEIGHT: 0.6g		SCALE: 2:1	SIZE: A4	
SHEET 1 OF 1		UNIT: mm	REV.: A/0	OBJECT: MY	DRAW NO.: MY-CP-0212	

NO.	PART NAME	Q' TY	MATERIAL	PLATING & COLOR
3	TERMINAL (-)	1	PHOSPHOR BRONZE, T=0.15MM	Gold Plating and Ni Under-Plating
2	TERMINAL (+)	1	PHOSPHOR BRONZE, T=0.15MM	Gold Plating and Ni Under-Plating
1	HOUSING	1	PPA	BROWN