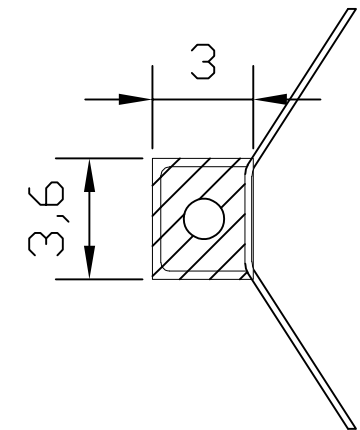
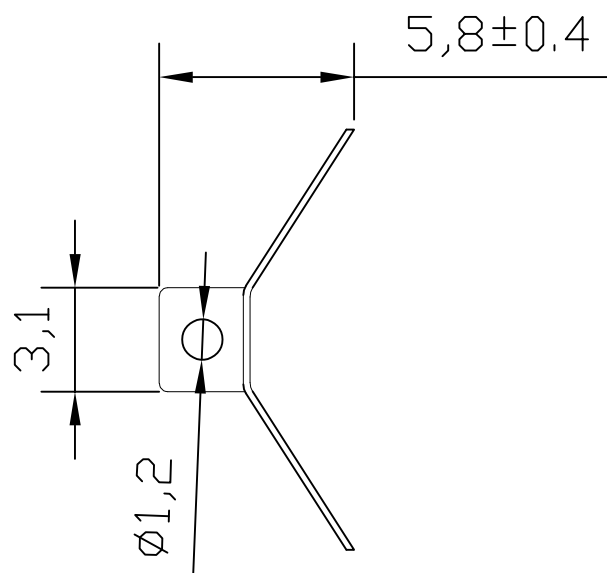
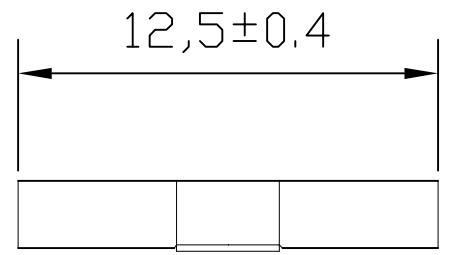
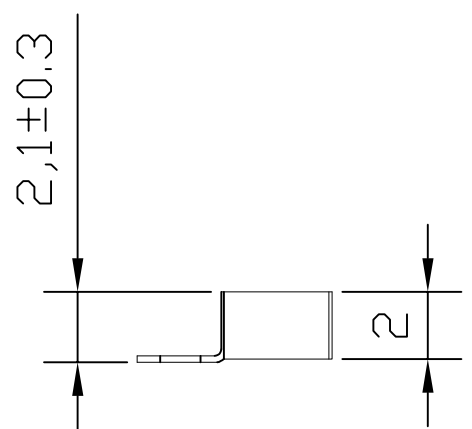




REV.	ECN NO.	REVISED	DATE



PCB Layout Diagram
Top View



工程部
2022-08-17
H. WANG

UNLESS OTHERWISE SPECIFIED TOLERANCES		MYOUNG 美用 www.meiyangdz.com					
DECIMALS: X :±0.30 X.X :±0.25 X.XX :±0.20 X.XXX :±0.10	ANGLES: X :±1° X.X :±0.5°	DSND	YangFeng	DATE	2022-08-17	TITLE:	电池弹片正极-128 SMT
WEIGHT: 0.60g		CHKD	ZhouRuicai	DATE	2022-08-17	PART NO.:	MY-ZJ-128
SHEET 1 OF 1		APVD	XueShunyong	DATE	2022-08-17	UNIT: mm	REV.: A/0
		SCALE: 2:1	SIZE: A4	VIEW:		OBJECT: MY	DRAW NO.:WD-CP-0222

1	TERMINAL(-)	1	Mn STEEL, T=0.20mm	Ni-Plating
NO.	PART NAME	Q'TY	MATERIAL	PLATING & COLOR