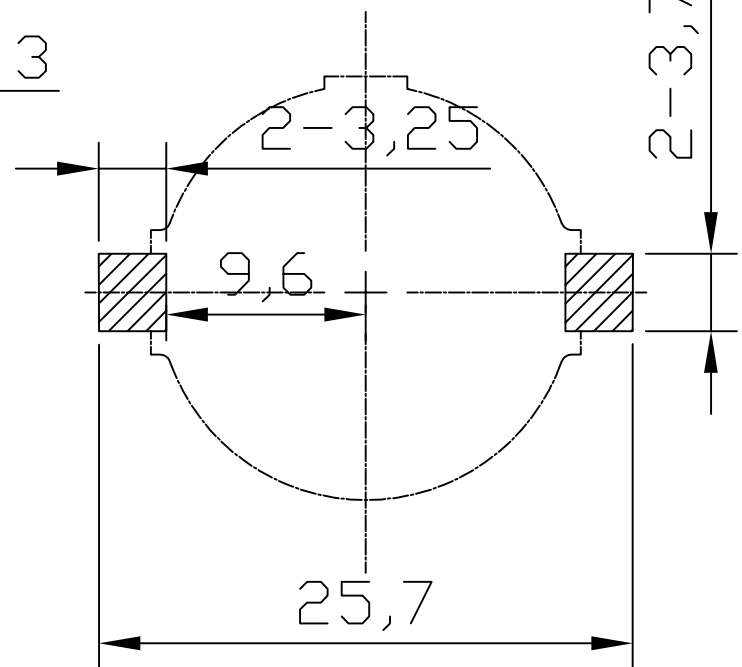
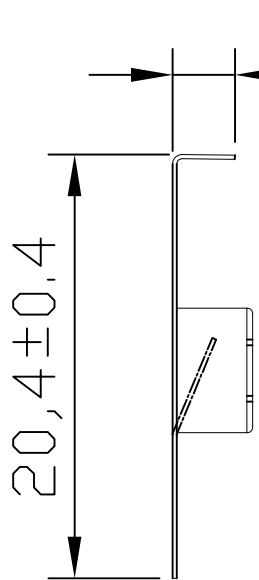
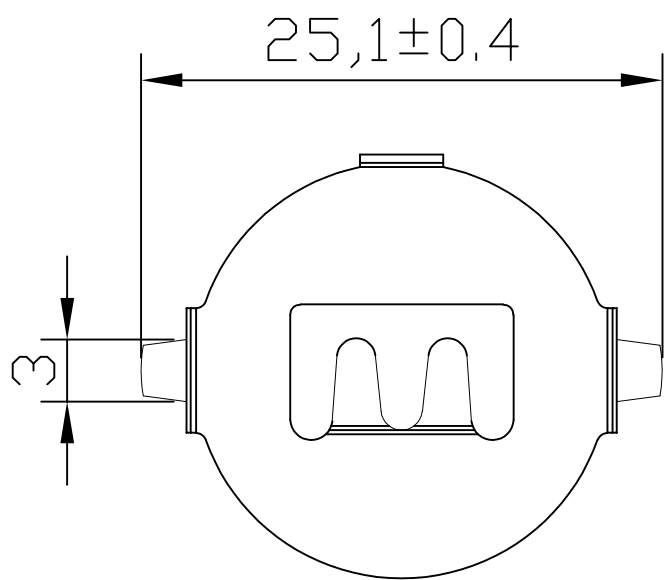
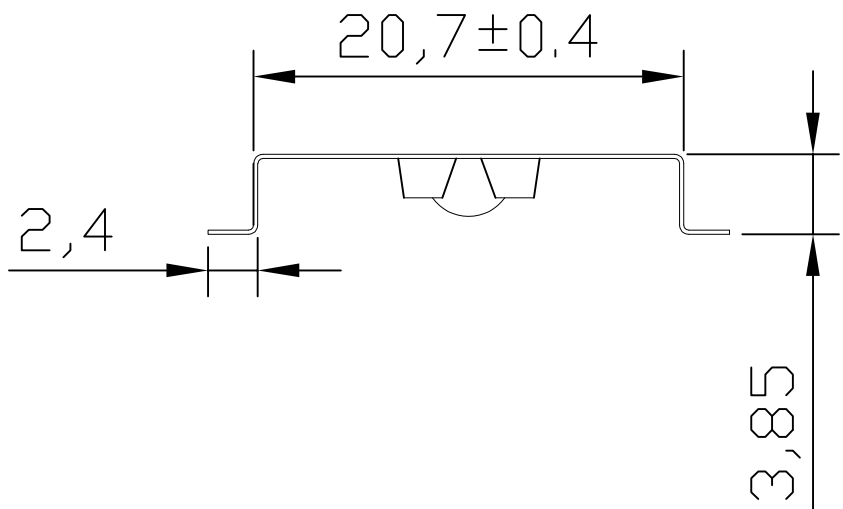




REV.	ECN NO.	REVISED	DATE



PCB Layout Diagram
Top View



工程部
2022-03-02
LQ. HUANG

UNLESS OTHERWISE SPECIFIED TOLERANCES		MYOUNG 美用 www.meiyangdz.com			
DECIMALS: X :±0.30 X.X :±0.25 X.XX :±0.20 X.XXX :±0.10	ANGLES: X :±1° X.X :±0.5°	DSND	YangFeng	DATE	2022-03-02
WEIGHT: g		CHKD	ZhouRuicai	DATE	2022-03-02
SHEET 1 OF 1		APVD	XueShun Yong	DATE	2022-03-02
TITLE:		SCALE:	SIZE: A4	VIEW:	⊙ ⊚
PART NO.:		UNIT: mm	REV.: A/0	OBJECT: MY	
DRAW NO.:WD-CP-0219					

1	TERMINAL(+)	1	锰钢, T=0.20mm	Ni-Plating
NO.	PART NAME	Q'TY	MATERIAL	PLATING & COLOR