



REV.	ECN NO.	REVISED	DATE

NOTE:

1.MATERIAL:

a.HOUSING:PA46 UL94 V-0 BLACK

b.CONTACT: SUS304 T=0.35MM

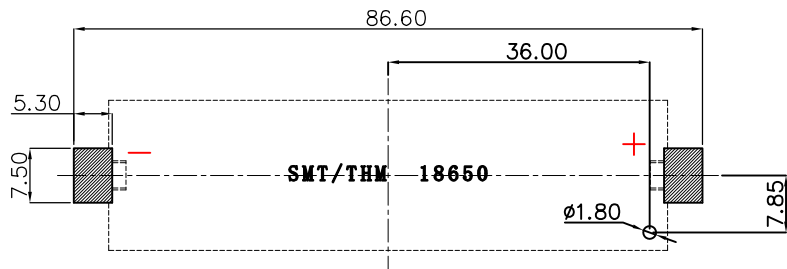
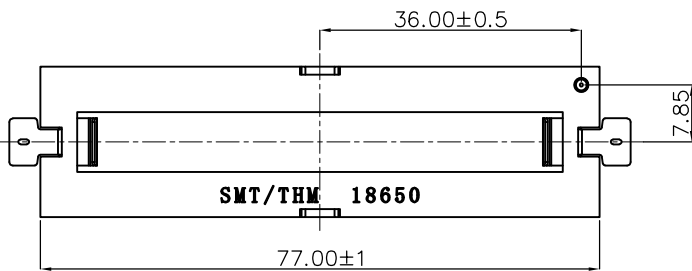
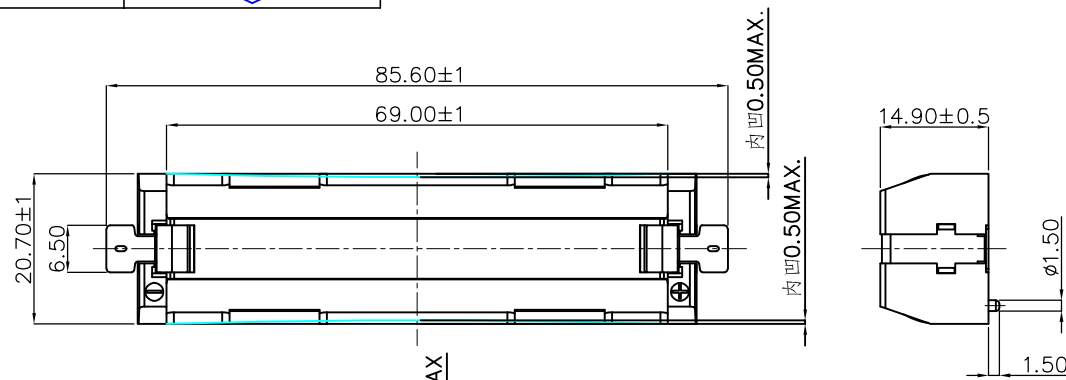
(SURFACE PLATING: Au1u")

SEE ORDERING INFORMATION

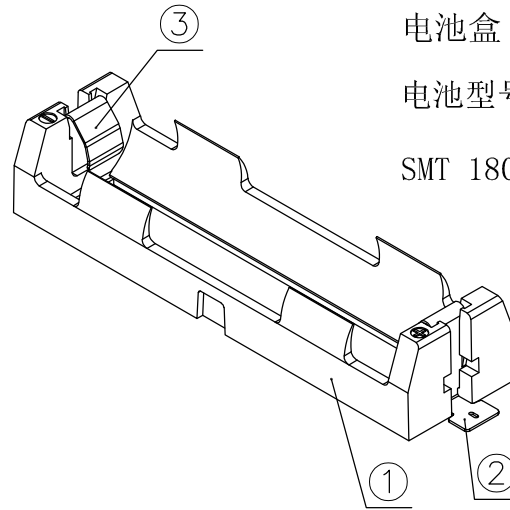
2.ELECTRIC:

a.DIELECTRIC VOLTAGE: 500V AC ONE MINUTE

b.OPERATING TEMPERATURE: -25°C~ +85°C



PCB Layout Diagram
TOP View



ORDERING INFORMATION
BH-18650-B6AA002

电池盒

电池型号

SMT 180° TYPE

PLATING:

A-Au1U"

J-Ni100U"~120U"

K-Sn100U"~120U"

MATERIAL:

1A-PBT BLACK

1B-PA66 BLACK

2A-PPA BROWN

2B-PPA BLACK

3A-PPS BROWN

3B-PPS BLACK

4A-LCP WHITE

4B-LCP BLACK

5A-PA9T BLACK

6A-PA46 BLACK



UNLESS OTHERWISE SPECIFIED TOLERANCES		MYOUNG 美用 www.meiyangdz.com	
DECIMALS: X :±0.30 X.X :±0.25 X.XX :±0.20 X.XXX :±0.10	ANGLES: X :±1° X.X :±0.5°	DSND Lieqinghuang	DATE 2023-05-30
WEIGHT:		CHKD ZhouRuicai	DATE 2023-05-30
SHEET 1 OF 1		APVD XueShunyong	DATE 2023-05-30
TITLE: 电池盒BH-18650-1J Au SMT PA46		SCALE:	VIEW:
PART NO.: BH-18650-B6AA002		SIZE: A4	REV.: A/0
DRAW NO.:MY-CP-0353		UNIT: mm	OBJECT: MY

NO.	PART NAME	Q'TY	MATERIAL	PLATING & COLOR
3	TERMINAL(+)	1	SUS304 T=0.35MM	Au(1u")-Plating
2	TERMINAL(-)	1	SUS304 T=0.35MM	Au(1u")-Plating
1	HOUSING	1	PA46 UL94 V-0	BLACK