

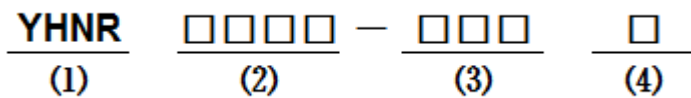
**■ Features**

- Low profile construction and miniature size.
- Magnetic shielded construction.
- High current saturation.
- Operating temperature:-40°C ~ +125°C.
- RoHS compliant

**■ Applications**

- For small DC/DC converter(HDD,DVC,DSC,PDA,LCD display etc.).
- Car navigation systems,telecom base stations.
- VR,AR,LED lighting.

**■ Product Identification**



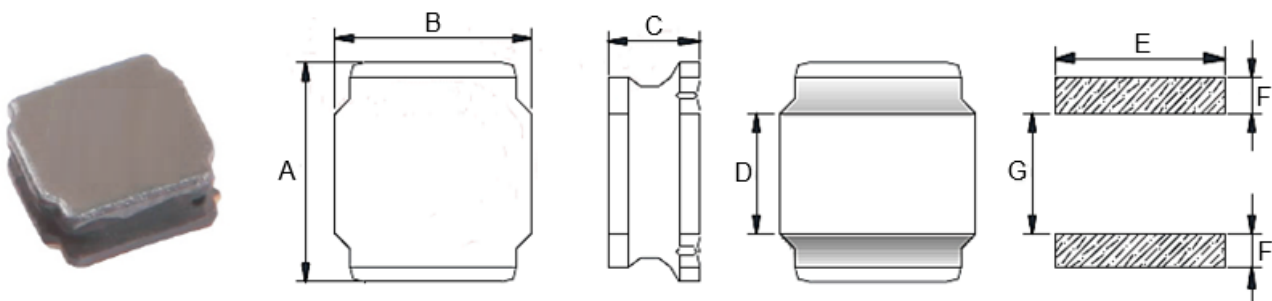
(1) : Type

(2) : Dimensions

(3) : Inductance value

(4) : Inductance Tolerance; N=±30%,M=±20%, K=±10%

**■ Shapes and Dimensions (Unit: mm)**



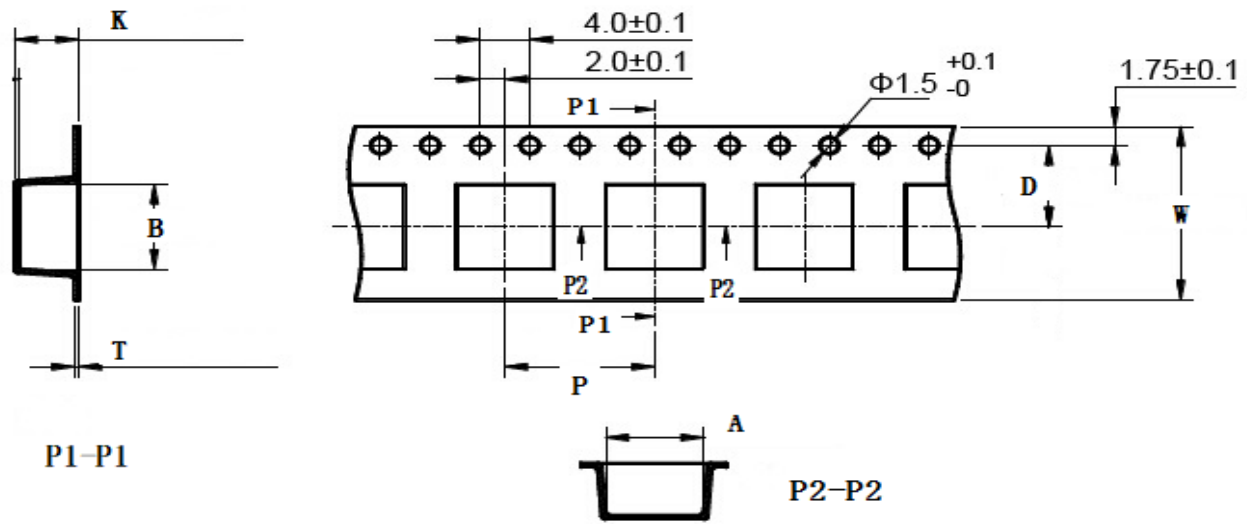
TYPE	A	B	C Max.	D	E Ref.	F Ref.	G Ref.
YHNR4020	4.0±0.2	4.0±0.2	2.00	1.90±0.3	3.70	1.10	1.90

## ■ YHNR4020 Series

Part Number	Inductance (uH) @100KHz	DC Resistance (Ω)		Heat Rating Current (A)	Saturation Current (A)
		Typ.	Max.		
YHNR4020-R24M	0.24±20%	0.013	0.017	6.00	14.0
YHNR4020-R33M	0.33±20%	0.015	0.020	5.90	13.0
YHNR4020-R47M	0.47±20%	0.016	0.022	5.90	11.0
YHNR4020-R68M	0.68±20%	0.020	0.025	5.80	9.00
YHNR4020-1R0M	1.00±20%	0.023	0.028	5.80	8.70
YHNR4020-1R5M	1.50±20%	0.032	0.038	5.20	7.70
YHNR4020-2R2M	2.20±20%	0.046	0.056	4.00	6.00
YHNR4020-3R3M	3.30±20%	0.073	0.088	3.40	4.70
YHNR4020-3R9M	3.90±20%	0.078	0.100	3.00	4.10
YHNR4020-4R7M	4.70±20%	0.095	0.115	2.85	4.00
YHNR4020-6R8M	6.80±20%	0.130	0.160	2.40	3.00
YHNR4020-8R2M	8.20±20%	0.175	0.220	2.10	2.90
YHNR4020-100M	10.0±20%	0.190	0.220	2.00	2.80
YHNR4020-120M	12.0±20%	0.220	0.286	1.50	2.30
YHNR4020-150M	15.0±20%	0.305	0.400	1.00	2.10
YHNR4020-220M	22.0±20%	0.415	0.545	0.95	1.30
YHNR4020-330M	33.0±20%	0.650	0.850	0.70	1.20
YHNR4020-470M	47.0±20%	0.950	1.200	0.56	1.10

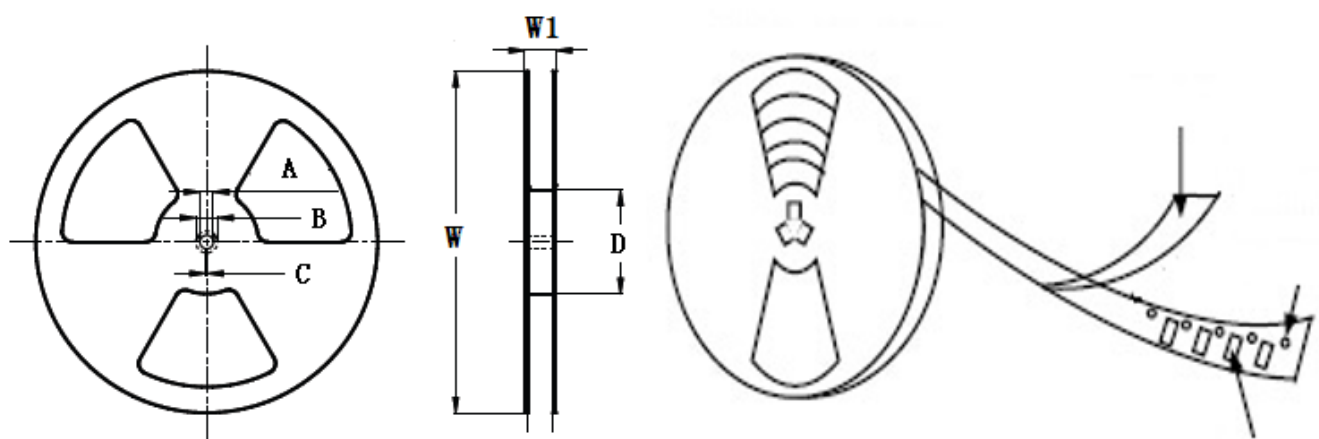
- ※ The saturation current value is the DC current value having inductance decrease down to 30%.(at 20°C)
- ※ The temperature rise current value is the DC current value having temperature increase up to 40°C. (at 20°C)
- ※ The rated current is the DC current value that satisfies both of current value saturation current value and temperature rise current value.

**■ Taping Dimensions(Unit:mm)**



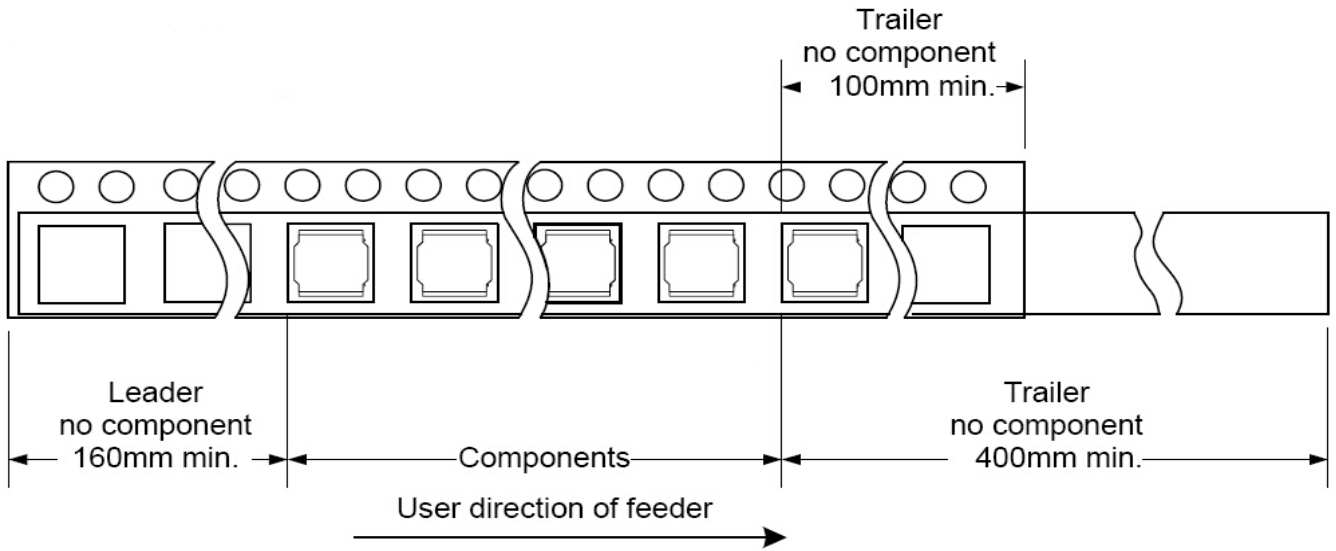
TYPE	Chip Thickness	W	A	B	D	P	K Max	T Max	MPQ
YHNR4020	2.00	12.0	4.30	4.30	5.50	8.00	2.40	0.30	3000

**■ Reel Dimensions(Unit:mm)**

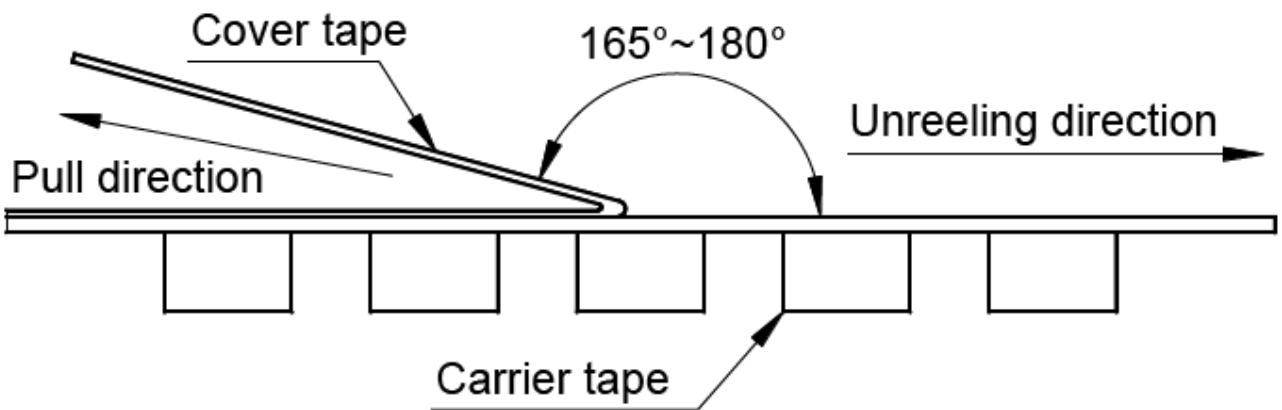


TYPE	W	W1	A	B	C	D
YHNR4020	330±2.0	12.8±1.50	13.0±0.50	21.0±0.80	2.0±0.50	100 Min

**Direction of rolling**



**Cover tape peel off condition**



Cover tape peel force shall be 0.1N to 1.3N.

Reference peel speed  $300 \pm 10$  mm/min.