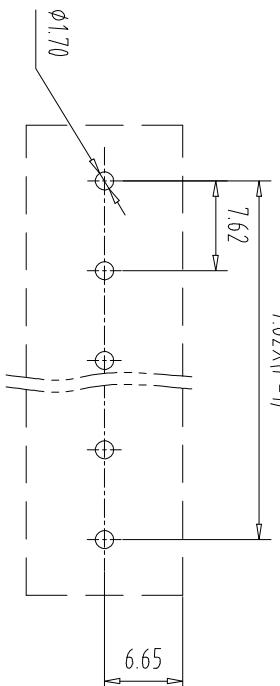
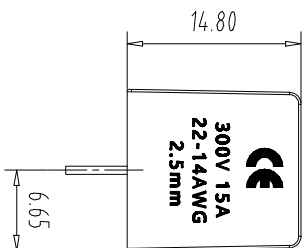
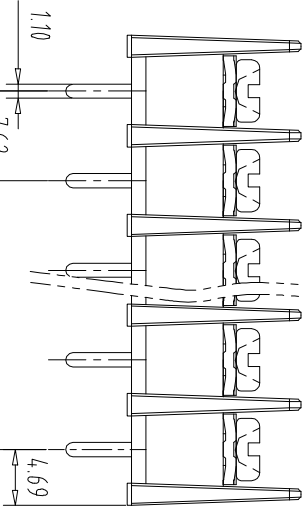
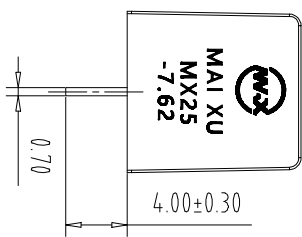
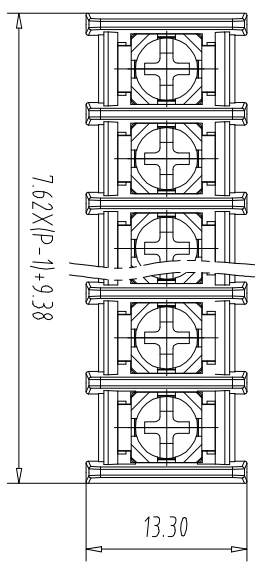


注：本板为禁止运输、复制、编辑文件，以及用其内容进行交流



Pitch Range In mm	Nominal Dimension In mm	Range
Over 6 TO 10	Over 10 TO 24	Over 30 TO 60
Over 10 TO 24	Over 30 TO 60	Over 60 TO 100
Over 10 TO 24	Over 30 TO 60	Over 100 TO 150
Over 10 TO 24	Over 30 TO 60	Over 150 TO 1.50
Over 10 TO 24	Over 30 TO 60	Over 1.50 TO 1.30
Over 10 TO 24	Over 30 TO 60	Over 1.30 TO 1.00
Over 10 TO 24	Over 30 TO 60	Over 1.00 TO 0.70
Over 10 TO 24	Over 30 TO 60	Over 0.70 TO 0.50
Over 10 TO 24	Over 30 TO 60	Over 0.50 TO 0.30
Over 10 TO 24	Over 30 TO 60	Over 0.30 TO 0.20
Over 10 TO 24	Over 30 TO 60	Over 0.20 TO 0.15

REV	ECN NO.	CONTENT	CHK	DATE

NOTES1:
UL Standard

Use group	B	C	D
Rated Current	15A	15A	10A
Rated Voltage	300V	300V	300V

2. Torque value: M3, 4, 4.3Lb.in
3. Wire range: 22~14AWG

IEC Standard

Pollution Degree	3	2	2
Overvoltage Category	III	II	II
Rate Impulse Voltage(KV)	/	/	/
Rate Voltage(V)	/	250V	/
Rate Current(A)	/	17.5A	/

2. Torque value: M3, 0.5Nm
3. wire range: 15mm²

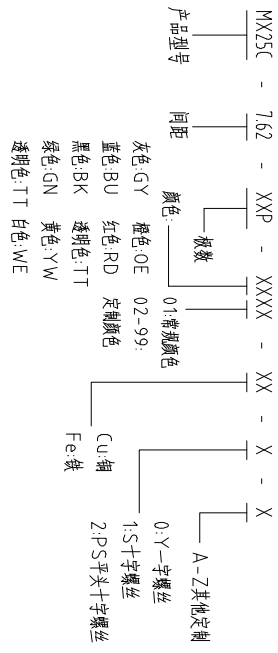
NOTES2:

- 1.Housing: PA66(UL 94V-0)
- 2.Solder Pin: Copper alloy(Sn Plated)
- 3.Screw: Steel(M3, Ni Plated)

NOTES3:

- 1.Pitch: 7.62mm Poles: 02-24P
- 2.Operating temperature: -40℃~+105℃
- 3.RoHS Compliance

How to order



ITEM	NAME OF PART	NO. OF PART	Q'TY	MATERIAL	NOTE
DWG	CHK	DATE	SCALE	SHEET/OF	1/1
APP	DATE	DATE	SCALE	A4	1/1
CIXI MAIXU ELECTRONICS CO.,LTD			NAME		
MAIXU 慈溪市迈旭电子有限公司			MX25C-7.62-XXP		
DWGNO.					