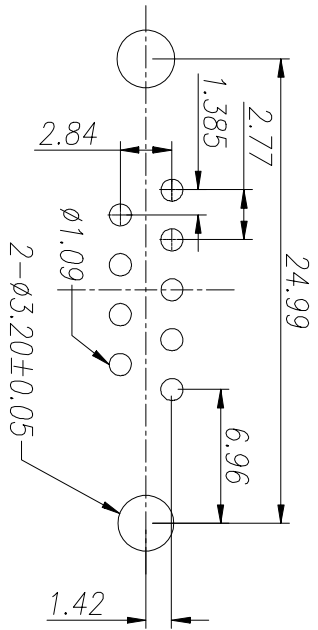


直锁



PCB LAYOUT

*.ELECTRIC CHARACTERISTICS:

CONTACT CURRENT RATING: 3.0A MAX.;;
 CONTACT VOLTAGE RATING:100V DC;
 CONTACT RESISTANCE: 30mΩ MAX.;;
 DIELECTRIC WITHSTANDING VOLTAGE:500V AC/60S;
 INSULATION RESISTANCE:1000 MΩ(MIN.)AT- DC 500V.

*.MECHANICAL CHARACTERISTICS:

DURABILITY: 5000 CYCLES.
 INSERTION AND EXTRACTION FORCE:
 INSERTION FORCE: 50N MAX.
 EXTRACTION FORCE: 15N MIN.



深圳市连欣科技有限公司

TOLERANCE: X.X ±0.30 X.XX ±0.25 X.XXX ±0.15		DRAWN BY : 陈明 DATE : 2014-02-23		PART NAME:	
X' ±2' X.X' ±0.5'		CHECKED BY: 叶永清 DATE : 2014-02-23		PART NO.	
UNIT: mm [inch] SCALE:1:1 SIZE: A4		APPROVED BY: 柯南 DATE : 2014-02-23		MOLD NO.	
				DRAW NO: LX09-YGA09B-048	
				SHEET NO. 1 OF 1	