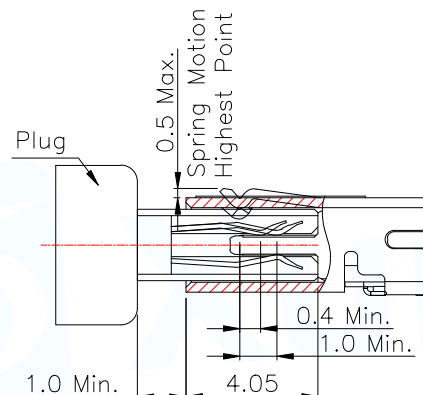
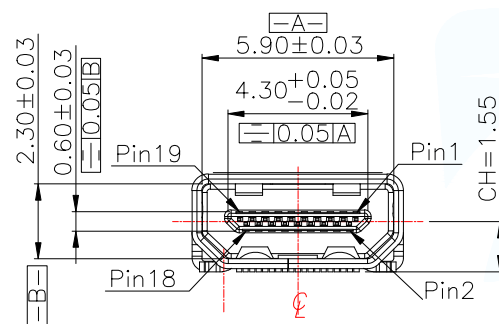


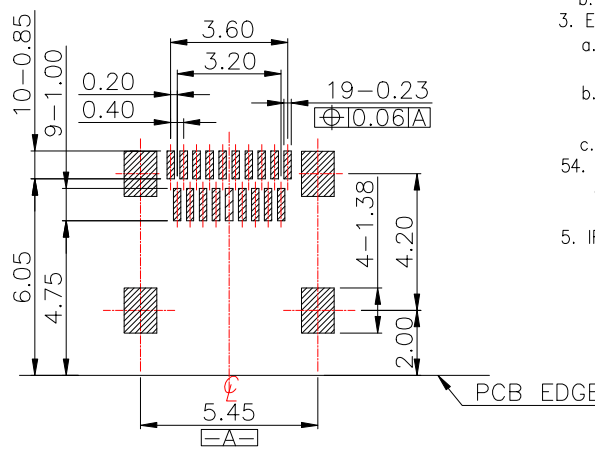
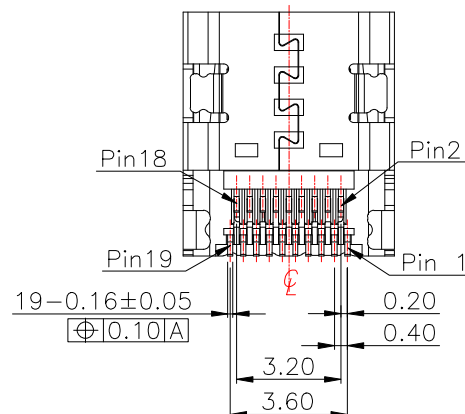
PIN	Signal Assignment
1	Hot Plug Detect
2	Utility
3	TMDS Data2+
4	TMDS Data2 Shield
5	TMDS Data2-
6	TMDS Data1+
7	TMDS Data1 Shield
8	TMDS Data1-
9	TMDS Data0+
10	TMDS Data0 Shield
11	TMDS Data0-
12	TMDS Clock+
13	TMDS Clock Shield
14	TMDS Clock-
15	CEC
16	DDC/CEC Ground
17	SCL
18	SDA
19	+5V Power



Receptacle and Plug Mated Condition

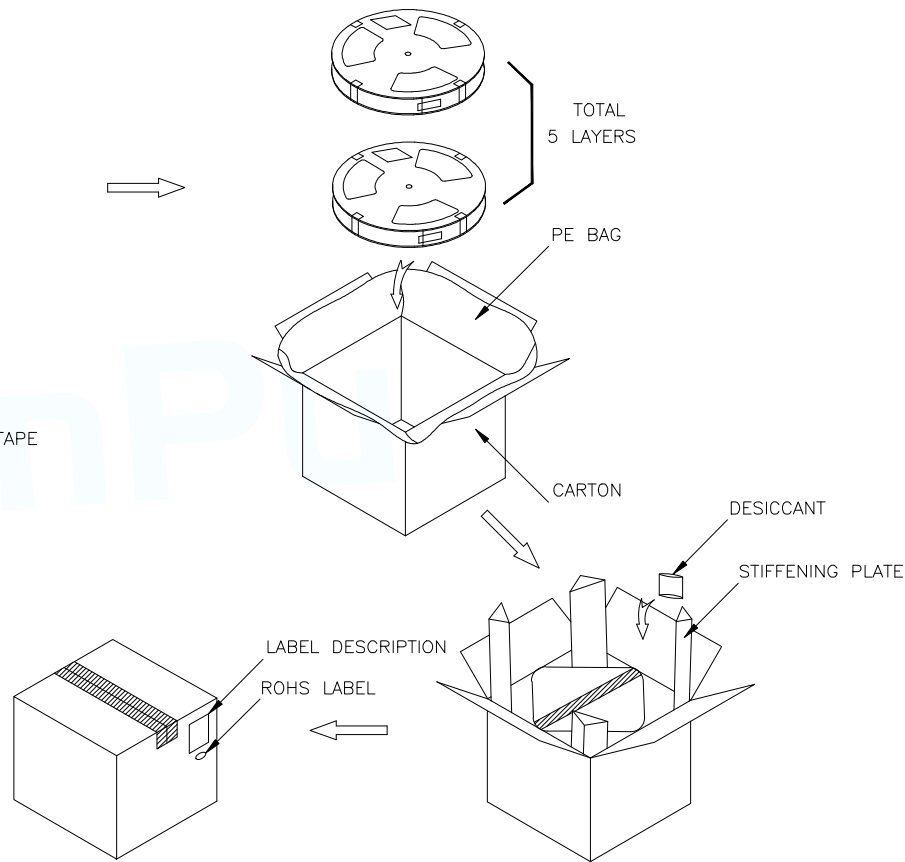
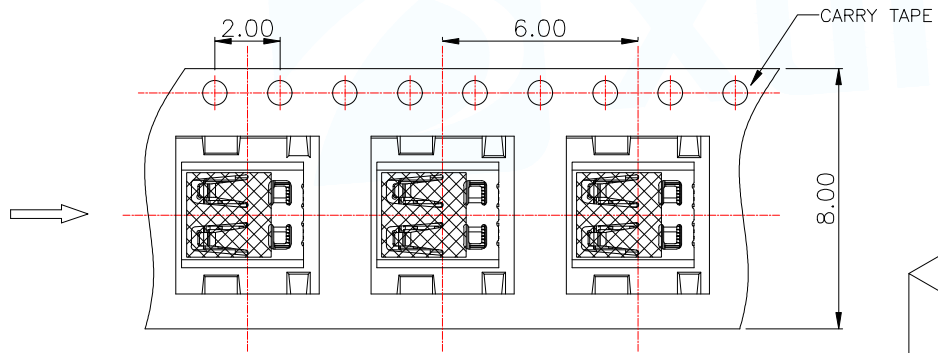
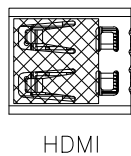
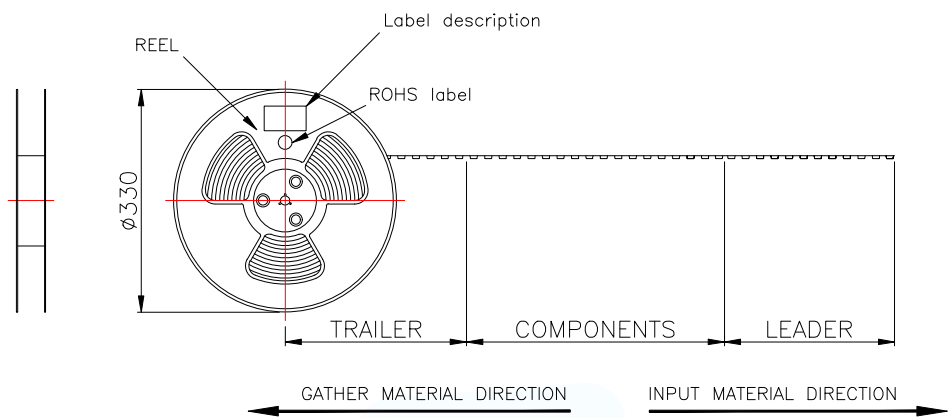
Notes:

- Materials
 - Housing: LCP+30% G/F, Black, UL94 V-0;
 - Contact: Phosphor Copper (C5191) Gold Plating at mating area Matte Tin or Au Plating at solder tail, all over Nickel;
 - Shell: Phosphor Copper (C5191)
- Ratings
 - Current Rating: 0.3A ;
 - Operating Temperature: -40-C ~ 85-C;
- Electrical Requirement:
 - LLCR: Excluding Conductor Resistance 10mΩ Max.(Target design value), Contact: 30mΩ Max. changed (Final), Shell: 50mΩ Max. Changed (Final);
 - Dielectric Withstanding Voltage: 150V AC (RMS) for 1 minute (Mated), 250V AC (RMS) for 1 minute (Unmated);
 - Insulation Resistance: 10MΩ Min. @ 150V DC (Mated), 100MΩ Min. @ 500V DC (Unmated);
- Mechanical Performance:
 - Insertion force: 44.1N (4.5Kgf) Max;
 - Withdrawal force: 4.9~25N (0.5~2.5Kgf);
- IR Reflow: the peak temperature on board shall be maintained for 10 seconds at 260±5-c.



RECOMMENDED PCB LAYOUT(TOP VIEW)
(TOLERANCE: ±0.05mm)

MANUFACTURE DWG		东莞市讯普电子科技有限公司 DongGuan XunPu Electronics Co.,Ltd	
UNLESS OTHERWISE SPECIFIED TOLERANCES			TITLE:HDMI Type D 19Pin板上型 CH=1.55 双排SMT 外壳全贴
DECIMALS:	ANGLES:		PAR HDMI-101W
X.:±0.30	X'.:±2'		DWN
X.X:±0.20	X.X':±1'		CHKD
X.XX:±0.15		APVD	SCALE1:1 UNIT:MM
CUSTOMER COPY		SIZE:A4	SHEET:1F1 REV:A



Notes:

1. The start and end of each reel, based on the actual quantity, reserved 10--15pcs space;
2. Peel off force of top tape: 10g~130g, peel deg.:165°~175°; peel speed: 250~300mm/min;
3. Carton size: 350*350*155mm.
4. QTY: 1200pcs/reel, 5reel/carton, total 6000pcs/carton;

MANUFACTURE DWG			 东莞市讯普电子科技有限公司 DongGuan XunPu Electronics Co.,Ltd	
UNLESS OTHERWISE SPECIFIED TOLERANCES			TITLE:HDMI Type D 19Pin板上型 CH=1.55 双排SMT 外壳全贴	
DECIMALS:	ANGLES:	PAR	HDMI-101W	
X.:±0.30	X.':±2'	DWN		
X.X:±0.20	X.X':±1'	CHKD		
X.XX:±0.15		APVD		
CUSTOMER COPY		SCALE1:1	UNIT:MM	
		SIZE:A4	SHEET:1F1	REV:A