

NS 35/ 7,5 CAP - End cap

1206560

<https://www.phoenixcontact.com/us/products/1206560>



Please be informed that the data shown in this PDF document is generated from our online catalog. Please find the complete data in the user documentation. Our general terms of use for downloads are valid.

DIN rail end piece, for DIN rail NS 35/7.5



Commercial data

Item number	1206560
Packing unit	1 pc
Minimum order quantity	100 pc
Sales key	BE72
Product key	BE723Z
Catalog page	Page 526 (C-3-2019)
GTIN	4017918173043
Weight per piece (including packing)	0.57 g
Weight per piece (excluding packing)	0.537 g
Customs tariff number	39269097
Country of origin	DE

NS 35/ 7,5 CAP - End cap

1206560

<https://www.phoenixcontact.com/us/products/1206560>

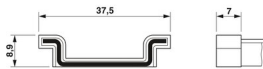


Technical data

Product properties

Product type	DIN rail
--------------	----------

Dimensions

Dimensional drawing	
Width	7 mm
Height	37.5 mm
Depth	9 mm
Length	37.5 mm

Material specifications

Color	gray
Material	PP
Flammability rating according to UL 94	HB
Coating	uncoated

NS 35/ 7,5 CAP - End cap

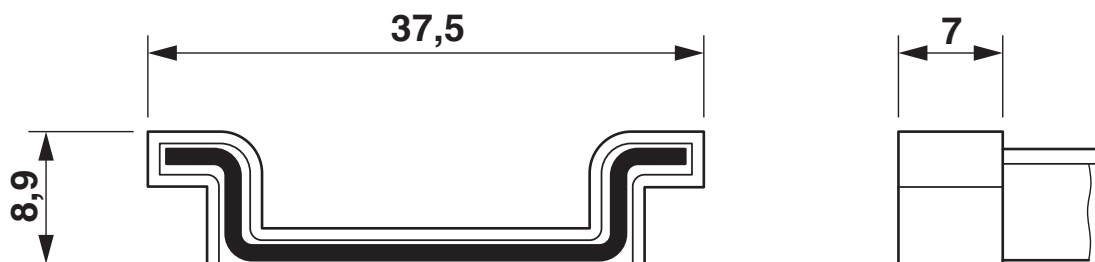
1206560

<https://www.phoenixcontact.com/us/products/1206560>



Drawings

Dimensional drawing



NS 35/ 7,5 CAP - End cap

1206560

<https://www.phoenixcontact.com/us/products/1206560>



Classifications

ECLASS

ECLASS-13.0	27400562
ECLASS-12.0	27400562
ECLASS-11.0	27400562

ETIM

ETIM 8.0	EC002270
----------	----------

UNSPSC

UNSPSC 21.0	39121700
-------------	----------

NS 35/ 7,5 CAP - End cap

1206560

<https://www.phoenixcontact.com/us/products/1206560>



Environmental product compliance

China RoHS	Environmentally friendly use period: unlimited = EFUP-e No hazardous substances above threshold values
------------	---

Phoenix Contact 2023 © - all rights reserved
<https://www.phoenixcontact.com>

Phoenix Contact USA
586 Fulling Mill Road
Middletown, PA 17057, United States
(+717) 944-1300
info@phoenixcon.com